

## K537F

990006-P

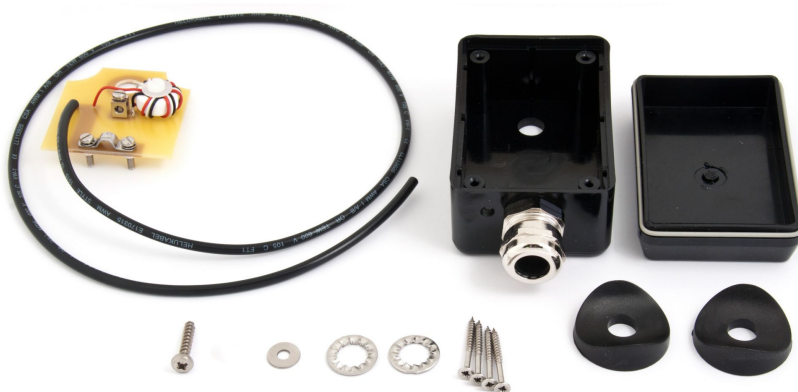
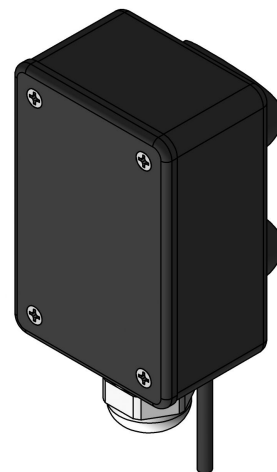
HF/SSB connection transform box. Receive only.

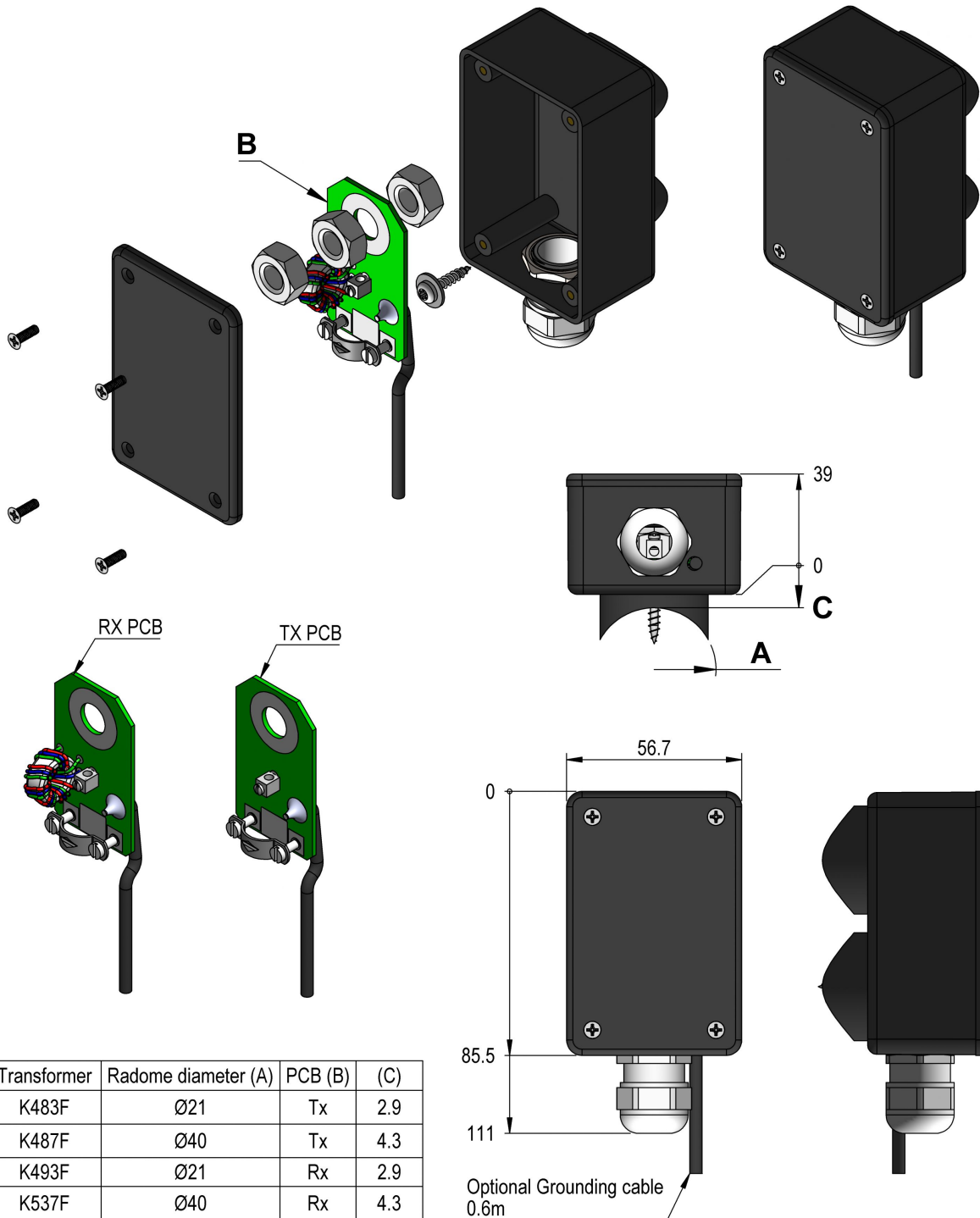
Fits KUM8XX and KUM9XX antennas

This K493F connection box is for KUM8XX and KUM9XX. It is used to connect coaxial cables for reception applications. Offers extended frequency range. This box is manufactured in premium quality materials in order to prevent galvanic corrosion. The box is always subject for improvement. The box has the same rugged design as all other AC Antennas products thus it withstands harsh environmental conditions, both on Sea and Land.

### Short description

Product group	HF/SSB
---------------	--------





Transformer	Radome diameter (A)	PCB (B)	(C)
K483F	Ø21	Tx	2.9
K487F	Ø40	Tx	4.3
K493F	Ø21	Rx	2.9
K537F	Ø40	Rx	4.3