

## MiniPlex-3 series NMEA 0183/2000 Multiplexer Manual



**MiniPlex-3USB(-N2K)**

**MiniPlex-3E(-N2K)**

**MiniPlex-3Wi(-N2K)**

MiniPlex-3 Series  
Firmware V3.14.x

© ShipModul B.V. 2022

<b>Introduction</b> .....	<b>8</b>
<b>NMEA 0183</b> .....	<b>8</b>
<i>NMEA 0183 Sentences</i> .....	8
<i>Talkers and Listeners</i> .....	8
<i>The Multiplexer</i> .....	9
Extra Ports.....	9
The Host Interface .....	9
<i>The MiniPlex-3 Multiplexer</i> .....	10
Galvanic Isolation.....	10
<b>NMEA 2000</b> .....	<b>10</b>
<i>NMEA 2000 Network Topology</i> .....	11
<i>The MiniPlex-3-N2K Multiplexer</i> .....	12
<b>Host Interfaces</b> .....	<b>13</b>
<i>USB Port</i> .....	13
Flow Control.....	13
Driver Installation.....	14
Windows 7 and up.....	14
Windows XP .....	18
macOS .....	18
Linux.....	19
<i>Ethernet Interface</i> .....	20
1. Existing network/router with DHCP .....	20
2. Existing network with static IP addresses/no DHCP .....	20
3. Direct connection to a computer .....	21
Network Setup.....	21
UDP Mode: Directed .....	22
TCP .....	22
Port Number .....	22
Saving the Network Setup.....	22
Reset to DHCP.....	22
Network Recovery .....	23
<i>WiFi Interface</i> .....	24
WiFi Access Point.....	24
App Behaviour.....	25
Changing SSID and Password .....	26
SSID/Passphrase Recovery .....	27
Enabling or disabling the WiFi interface.....	27
Joining an existing WiFi Access Point/Router.....	27
<b>Network Basics</b> .....	<b>33</b>
<i>IP Address</i> .....	33
<i>Network Mask</i> .....	33
<i>Port Number</i> .....	33
<i>Assigning IP addresses/DHCP</i> .....	34
Auto-IP .....	34
<i>Protocols</i> .....	34
UDP Broadcast.....	35
UDP Directed.....	35
TCP.....	35
<b>NMEA 0183 Ports</b> .....	<b>36</b>

<i>NMEA 0183 Signals</i> .....	36
<i>NMEA 0183 Inputs</i> .....	36
<i>NMEA 0183 Outputs</i> .....	36
<i>Connecting to other devices</i> .....	37
<i>Combining Ports</i> .....	37
<b>SeaTalk</b> .....	<b>38</b>
<i>Conversions from SeaTalk to NMEA</i> .....	38
<i>Conversions from NMEA 0183/2000 to SeaTalk</i> .....	38
Example .....	38
<b>NMEA 2000 Port</b> .....	<b>39</b>
<i>Devices and Virtual Devices</i> .....	39
<i>Connecting to an NMEA 2000 network</i> .....	40
<b>Protocol Conversions</b> .....	<b>41</b>
NMEA 0183 and SeaTalk to NMEA 2000 .....	41
NMEA 2000 to NMEA 0183.....	41
NMEA 2000 and NMEA 0183 to SeaTalk .....	41
SeaTalk to NMEA 0183 .....	42
NMEA 2000 and SeaTalk in the Routing Table .....	42
Autopilot Control.....	42
<b>Power Supply</b> .....	<b>43</b>
<b>Indicators</b> .....	<b>43</b>
<b>Data Throughput</b> .....	<b>43</b>
<b>MPXConfig3</b> .....	<b>45</b>
<i>Menu</i> .....	46
<i>MiniPlex Connection</i> .....	47
COM Port.....	47
Network.....	47
UDP All.....	47
Reading the configuration .....	47
Multiplexer does not respond.....	47
Unable to open port COMx, the port may be in use .....	47
Connect timed out.....	47
Socket Error # 10061, Connection refused.....	48
<i>Send NMEA</i> .....	48
<i>View Options</i> .....	48
Clear .....	48
No Scroll .....	48
Tag Blocks.....	48
Source selector .....	49
Overflow.....	49
<i>NMEA Inputs/Outputs</i> .....	50
Input Settings.....	50
Speed .....	50
Talker ID .....	50
Priority .....	51
GPS.....	51
AIS .....	51

Input Mode .....	52
Input "NMEA Conversions" .....	53
Input "NMEA 2000" .....	53
Default Route .....	53
Output Settings.....	53
Speed.....	53
Host Data .....	53
Output NMEA V1.5 .....	54
Ignore Divisor.....	54
Priority Control.....	54
<i>Options.....</i>	<i>55</i>
General Options .....	55
AIS MOB Alarm .....	55
AIS Own Position to GPS data.....	55
Modbus.....	55
Raw SeaTalk (PSMDST) .....	55
SeaTalk Depth in meters.....	55
Suppress GPS Pinning.....	56
TAG Blocks.....	56
Use internal variation table.....	56
Unique ID.....	56
NMEA 0183 Generation from NMEA 2000 and SeaTalk.....	56
10 Hz.....	57
System Time - ZDA/PGN 126992.....	57
VBW/VHW (Speed) at 10 Hz .....	57
Attitude .....	57
Depth.....	57
True heading.....	57
<i>Conversions.....</i>	<i>58</i>
Heading.....	58
Heading Magnetic $\leftrightarrow$ True (HDG $\leftrightarrow$ HDT).....	58
Reverse Heading (HDM/HDG/HDT/THS) .....	58
COG to True Heading (VTG $\rightarrow$ HDT).....	59
HDT $\leftrightarrow$ THS.....	59
Speed .....	59
GPS Speed to Log Speed (VTG $\rightarrow$ VHW).....	59
Log Speed to GPS Speed (VHW $\rightarrow$ VTG).....	59
Reverse Speed (VBW).....	59
Combine Heading and Speed into VHW.....	59
Wind.....	59
VWR $\leftrightarrow$ MWV.....	59
Apparent to True Wind (MWV,R $\rightarrow$ MWV,T).....	59
Calculate Wind Direction (MWV,T $\rightarrow$ MWD).....	59
Reverse Wind Angle (MWV) .....	59
Speed source for True Wind .....	60
Miscellaneous .....	60
TLL to WPL.....	60
TLL to PGN 130074.....	60
Automatic Conversions.....	60
VTG.....	60
TTM.....	60
Sentence Rebuilding .....	60
Example.....	61
<i>Routing.....</i>	<i>62</i>
Routing Table Columns .....	63
Table Buttons and Controls .....	63
Editing the table.....	64
Note on editing tables .....	64
Filling the table .....	64
NMEA 2000 Sources.....	65

Routing Operation .....	65
Example.....	66
<i>NMEA 2000</i> .....	67
Device Settings .....	67
Device Type .....	67
SA - Source Address .....	68
Setting a Source Address.....	68
DI - Device Instance .....	68
Generate \$MXPGN .....	68
From unknown PGNs.....	69
From all PGNs.....	69
Device List.....	69
Source Address.....	70
Device Instance .....	70
System Instance .....	71
<i>AIS MOB Alarm</i> .....	72
AIS MOB Table Columns.....	72
Connections .....	73
AIS MOB Alarm Operation.....	73
Learning Mode .....	73
<i>Modbus</i> .....	75
Modbus Table Columns .....	75
Modbus Slave Addresses .....	76
Register Order.....	76
Precision .....	76
Slave Status.....	76
Communication Parameters.....	76
Diagnostics.....	76
<b>Firmware Update</b> .....	<b>77</b>
<i>Procedure</i> .....	77
<b>Mounting</b> .....	<b>78</b>
<b>Technical Reference</b> .....	<b>79</b>
<i>NMEA 0183 Sentences</i> .....	79
Standard Sentences.....	79
Proprietary Sentences.....	79
Glossary .....	79
Talker ID's .....	79
Sentence formatters.....	80
<i>Supported NMEA 2000 PGN list</i> .....	82
<i>Conversions from NMEA 2000 to NMEA 0183</i> .....	83
<i>Conversions from NMEA 2000 to NMEA 0183 XDR sentences</i> .....	85
Engine data .....	85
Generic sensor data.....	86
Meteorological data.....	86
<i>Conversions from NMEA 0183 to NMEA 2000</i> .....	87
<i>Converted SeaTalk Datagrams</i> .....	89
<i>Firmware Update Error messages</i> .....	91
The firmware update failed .....	91
Not a valid firmware file.....	91
Unsupported firmware file version.....	91
Firmware file is corrupt.....	91
The version of the firmware file is lower than the version of the multiplexer. Do you really want to proceed? .....	91

Bootloader initialisation failed.....	91
Firmware file does not match with the multiplexer type.....	91
Bootloader: Erase command timeout.....	91
Bootloader: Encryption command timeout.....	91
Bootloader: Programming timeout.....	91
Bootloader: CRC command timeout.....	91
Bootloader: CRC error.....	91
Invalid response from bootloader.....	91
<i>Supported Configuration and Status Sentences.....</i>	<i>92</i>
Introduction.....	92
Configuration commands and status reports.....	92
Example.....	92
Standard NMEA 0183 Sentences.....	93
\$MXPGN – NMEA 2000 PGN Data.....	93
NMEA 2000 Reception.....	93
NMEA 2000 Transmission.....	93
Examples.....	94
\$--XDR – Sensor Data.....	94
TAG Blocks.....	94
Proprietary NMEA 0183 Sentences - General.....	95
\$PSMDCF – Set Configuration.....	95
\$PSMDCFQ – Get Configuration.....	95
\$PSMDCNV – Set Conversions.....	95
\$PSMDDR – Set Default Route.....	96
\$PSMDID – Set Talker ID.....	97
\$PSMDIN – Input modes.....	97
\$PSMDLDR – Loader message.....	98
\$PSMDMB – Modbus.....	99
\$PSMDMB,C,X – Define Modbus Slave/Register.....	99
Modbus,C,DELETE – Delete Table.....	100
\$PSMDMB.....	100
\$PSMDMB,C,R.....	100
\$PSMDMB,D.....	100
\$PSMDMB,E.....	101
\$PSMDMOB – Set MOB MMSI.....	101
\$PSMDOP – Set Options.....	102
\$PSMDOV – Overflow.....	103
\$PSMDPR – Priority.....	104
\$PSMDRESET – Reset the multiplexer.....	104
\$PSMDRTE – Set Route.....	104
\$PSMDSP – Set Speed.....	105
\$PSMDSR – Sentence Rebuilding.....	106
\$PSMDST – SeaTalk Data.....	106
\$PSMDUI – Set Unique Identifier.....	106
\$PSMDVER – Get Version.....	107
\$PSMDWI – WiFi Control.....	107
\$PSMDXDR – Specify Transducer ID.....	108
Proprietary NMEA 0183 Sentences – NMEA 2000.....	109
\$PSMDNA – Set NMEA 2000 Source Address.....	109
\$PSMDNC – ISO Address Claim Message/ISO Command Address.....	109
\$PSMDND – Set NMEA 2000 Device Instance.....	109
\$PSMDNF – Set NMEA 2000 Class and Function Code.....	109
\$PSMDNI – Command Device and System Instance.....	110
\$PSMDNM – Set Manufacturer Code.....	111
\$PSMDNO – Set NMEA 2000 Options.....	111
\$PSMDNP – NMEA 2000 Product Information.....	112
\$PSMDNR – NMEA 2000 PGN Request.....	112
\$PSMDNS – Set NMEA 2000 System Instance.....	112
<i>Technical Specifications.....</i>	<i>113</i>
NMEA 0183 Compatibility.....	113
MiniPlex-3USB.....	113

MiniPlex-3USB-N2K.....	113
MiniPlex-3E.....	114
MiniPlex-3E-N2K.....	114
MiniPlex-3Wi.....	115
MiniPlex-3Wi-N2K.....	115
<i>Contact Information.....</i>	<i>116</i>

# Introduction

---

The MiniPlex-3 series NMEA multiplexers enable connection of multiple NMEA 0183/2000 devices and a host device like a PC, a laptop or a tablet. All models share the same number of NMEA ports and feature set. They differ in host interface type, the interface that talks to the computer. Some models also have an NMEA 2000 interface.

This manual covers all models of the MiniPlex-3 series. There is a chapter for each type of host port. The remaining part of the manual covers NMEA 0183 and NMEA 2000 connections and configuration, which are the same for all models.

## NMEA 0183

---

The National Marine Electronics Association ([www.nmea.org](http://www.nmea.org)) has defined a communication protocol called NMEA 0183, which enables navigation instruments and devices to exchange data with each other.

Using the NMEA 0183 protocol, an electronic compass can send a heading to a radar to enable a north-up display. Similarly, a GPS can send a course to steer, cross-track error and other related information to an autopilot to steer a boat to a set waypoint in the GPS.

### NMEA 0183 Sentences

The NMEA 0183 protocol defines human-readable text sentences with a strictly defined format. These sentences can be seen in MPXConfig3, in the top half of the window, and look like the sentences below:

```
$GPGGA,143357.999,5301.0061,N,00635.5479,E,1,06,1.9,90.0,M,,0000*39
$GPGLL,5301.0061,N,00635.5479,E,143357.999,A*22
$HEHDT,67.0,T*1E
```

A receiving device or software application will know that a sentence starting with \$GPGLL originates from a GPS (hence the GP at the beginning of the sentence) and that it contains the geographic longitude and latitude (GLL). The \$GPGLL part in this example is called the *address field* of a sentence.

### Talkers and Listeners

The NMEA 0183 standard defines *talkers* and *listeners*. A device that sends information is a *talker* and a device that receives information is a *listener*. When connected to each other, the *talker* sends information to the *listener*.

Communication using the NMEA 0183 protocol involves at least one *talker* sending data to one *listener*. Figure 1 on the right shows such a minimal system: a gyrocompass sends heading data to a radar.

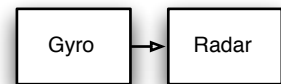


Figure 1

It is important to know that a *talker* or *listener* port is named after its function, not after what it is connected to. So, a *talker* port transmits information, and it is connected to a *listener* port which receives information. This might be confusing at times so further in this manual we will use the terms *input* and *output* instead of *listener* and *talker* port respectively.

The NMEA 0183 standard specifies that an output should have enough driving capacity to talk to four listeners. This is as easy to achieve as telling a story to an audience of four people; the only requirement is to talk loud enough.



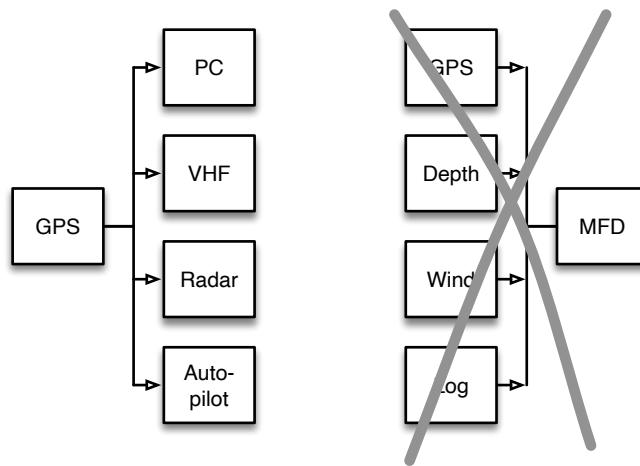


Figure 2

The left part of Figure 2 shows an example: one GPS sends data to four devices.

It gets complicated when one device, for example an MFD (Multi-Function Display), needs to receive data from several other devices, as shown in the right part of Figure 2. Unless that MFD has multiple inputs, this is not possible without a multiplexer or combiner.

Simply connecting multiple outputs to one input is like four people telling you a different story simultaneously. You can make neither head nor tail of it. In electronics terms: the outputs will short-circuit each other and the NMEA 0183 sentences they transmit will be corrupted.

This is where a multiplexer offers the solution.

## The Multiplexer

A multiplexer (also called combiner) has multiple inputs and can therefore receive NMEA 0183 sentences from several devices simultaneously. These sentences are placed in a queue and transmitted sequentially through one output.

Since the NMEA 0183 standard clearly defines the beginning and the end of a sentence, the receiving device will exactly know how to separate the individual sentences from the received stream.

So, what seems impossible in Figure 2 is possible when a multiplexer is added as shown in Figure 3: the multiplexer listens to the instruments by receiving NMEA 0183 sentences simultaneously and transmits them sequentially to the MFD.

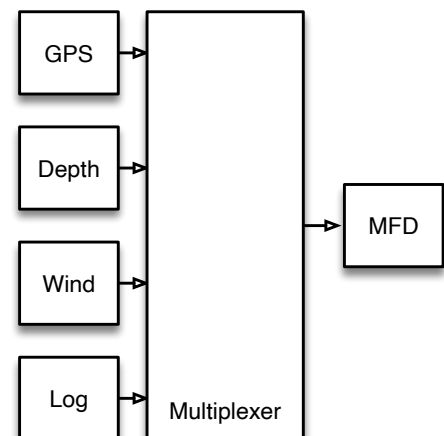


Figure 3

## Extra Ports

The functionality of a basic NMEA 0183 multiplexer can be enhanced by adding extra ports. An extra talker port or NMEA 0183 output can be used to send information to a repeater display at the helm while an extra connection for a computer enables the use of navigation software. If this connection is bi-directional instead of just an output, the navigation software can control an autopilot.

## The Host Interface

NMEA 0183 devices already existed before it was common practice to use a computer for navigation. Of course, there were ECDIS systems (Electronic Charting and Display), but these were used exclusively on commercial ships due to their cost and size.

Nowadays it is very common to use a computer, laptop or tablet as a charting device. The navigation software shows exactly where you are and can control an autopilot to automatically follow a programmed route. Therefore, this computer, laptop or tablet requires a means to connect to the multiplexer to receive GPS position and other information and to send navigation data to an autopilot. This connection is called a *host interface* and can be a USB, Ethernet or WiFi interface. The host interface is also used to configure the MiniPlex-3 and to perform firmware updates.

Throughout this manual, the term *host* will be used for a PC, laptop, smartphone, tablet or other device that is connected to the multiplexers' *host interface* to send and receive NMEA data.

## The MiniPlex-3 Multiplexer

The MiniPlex-3 multiplexer is an advanced NMEA 0183 multiplexer with four NMEA 0183 inputs or listener ports, two NMEA 0183 outputs or talker ports and one or two host interfaces.

The MiniPlex-3 combines NMEA 0183 sentences received on its inputs and can route these sentences to its outputs and host interface(s). The host interface(s) can also be used to send NMEA 0183 sentences back to the MiniPlex-3 to be routed to its outputs and to send configuration sentences to the MiniPlex-3 itself.

Each NMEA output can drive up to four inputs. Flexible routing options allow you to specify which NMEA sentences are sent to these outputs.

Figure 4 shows a typical setup where the MiniPlex-3 is used to combine data from four instruments, send it to a PC and depending on the configuration of the MiniPlex, send the same data to an autopilot and a repeater display.

The navigation software on the PC can control the autopilot to steer a programmed route and display information such as distance to next waypoint on the repeater display.

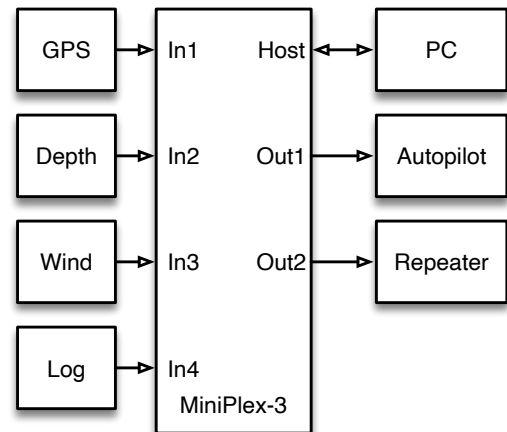


Figure 4

## Galvanic Isolation

The NMEA 0183 standard requires galvanic isolation on each input of a device. This isolation provides a barrier against stray currents, which could result in data corruption, radio-interference or even worse, melting cabling if the stray currents exceed the current rating of a cable.

As a safety measure, every NMEA input, output and host port of the MiniPlex-3 has galvanic isolation to provide maximum protection of connected devices.

An added benefit of isolated outputs is that they can be connected not only to an NMEA 0183 input (RS422) but also to an RS232 input without requiring a level converter.

## NMEA 2000

MiniPlex-3 multiplexers with an NMEA 2000 port ("-N2K" models) can be connected to an NMEA 2000 network and thus provide a bi-directional gateway between NMEA 2000 and NMEA 0183

The NMEA 2000 standard was developed to overcome limitations of NMEA 0183. Whereas NMEA 0183 only allows point-to-point connections as explained earlier, NMEA 2000 is a network standard in its true sense and is based on the CAN Bus, a communication bus used in cars, trucks and other vehicles.

NMEA 2000 allows multiple devices to connect to one single network and each device can transmit data onto that network and receive data from other devices. The communication speed on an NMEA 2000 network is much higher than on NMEA 0183: 250,000 bits per second vs. 4800 bits per second.

The information density on NMEA 2000 is also at least twice as high compared to NMEA 0183 because data is transmitted in *binary*\* format as opposed to ASCII.

A complete message - for instance a heading message including deviation and variation, all with a maximum precision of 0.006° and a checksum - will require 16 bytes on NMEA 2000. A heading sentence on NMEA 0183 containing the same parameters with the same precision, requires 37 bytes. Even with a reduced precision of 0.1°, this sentence would still require 31 bytes.

So NMEA 2000 is not only 50 times faster in communication speed, but also at least twice as efficient.

Whereas NMEA 0183 data is identified by an *address field*, (the first 6 characters of a sentence), NMEA 2000 data is identified by a PGN, a *Parameter Group Number*. This is a unique number identifying a specific group of parameters. PGN 129029 for instance holds the position data, and other parameters related to the GPS position fix, like a \$GPGLL sentence with NMEA 0183 does. While technically speaking the PGN only defines the number, the word *PGN* is commonly used to indicate the entire message.

---

\* one byte of this binary format can represent a number ranging from 0 to 255 or -128 to +127. In ASCII format, the same numerical value would require 3 or 4 characters where each character occupies one byte.

## NMEA 2000 Network Topology

An NMEA 2000 network has a strict topology: it consists of a backbone cable with *terminators* at each end and a *power-T* to provide power to the network. Each device is connected to this backbone using a *T*, a three-way connector block which is inserted into the backbone and a *drop-cable* or *spur-cable*.

The backbone is galvanically isolated from the rest of the electronics on your boat. A power-hungry device such as a plotter or an autopilot with its own power supply connections has a galvanically isolated NMEA 2000 interface. A smaller display or sensor may be powered from the backbone though if no other electrical connections exist on that display or sensor.

Each end of the backbone has a terminator, which is a resistor between both data wires CAN\_H and CAN\_L, absorbing electrical reflections on the network. Without these terminators, digital signals will reflect against the open ends of the network back into the network, causing distortion of the digital signals.

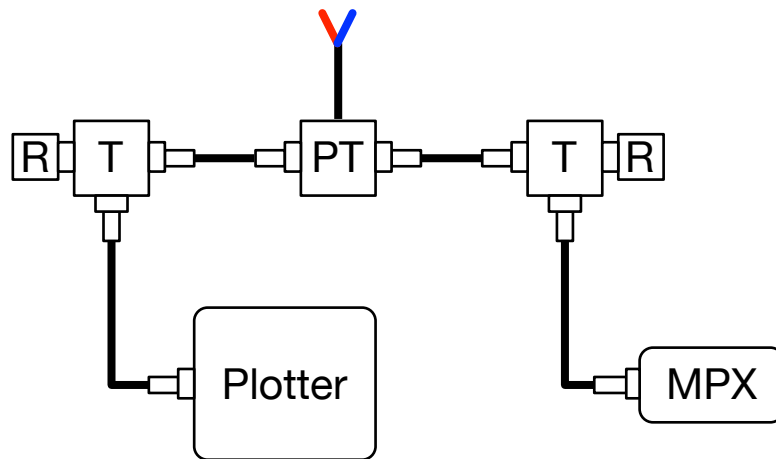


Figure 5: Minimalist NMEA 2000 Network

Figure 5 shows a minimal NMEA 2000 network with a plotter and a MiniPlex connected to an NMEA 2000 backbone. The network consists of a power-T (PT), two Ts to connect the drop cables to the devices and two terminators (R) at each end of the backbone.

Simply connecting the MiniPlex directly to the plotter using a female-female NMEA 2000 cable will not work. The NMEA 2000 interfaces of both devices require power from the backbone and termination to prevent data corruption.

## The MiniPlex-3-N2K Multiplexer

While NMEA 2000 no longer requires multiplexers to connect devices to each other, a MiniPlex-3-N2K multiplexer still serves a purpose as a gateway between NMEA 0183 and NMEA 2000.

Besides being an NMEA 0183 multiplexer providing routing between all NMEA 0183 inputs, outputs and the host interface(s), the MiniPlex-3-N2K also serves as a multiple bi-directional gateway between each NMEA 0183 input, output and host interface and the NMEA 2000 network.

Each NMEA 0183 input and the host interface appear on the NMEA 2000 network as individual NMEA 2000 devices, which identify themselves as an NMEA 0183 Gateway or as the device as selected on the **NMEA 2000** tab in MPXConfig3.

Each of the inputs and host interface can thus be selected as a Data Source on other NMEA 2000 devices.

The gateway function enables existing NMEA 0183 devices to be connected to an NMEA 2000 network and share navigation data between "old" and "new" devices.

All NMEA 0183 data received by the MiniPlex-3-N2K is converted into NMEA 2000 and transmitted onto the NMEA 2000 network.

Data from the NMEA 2000 network can be selectively converted to NMEA 0183 sentences and routed to the NMEA 0183 outputs and host port of the MiniPlex-3-N2K.

The MiniPlex-3-N2K provides a seamless integration of NMEA 0183 and NMEA 2000 navigation devices. It also allows navigation software, which usually only supports NMEA 0183, to receive data from NMEA 2000 devices and to control NMEA 2000 autopilots.

Figure 6 shows a typical setup: NMEA 2000 data from the GPS/plotter is converted to NMEA 0183 and routed to the PC and a repeater. NMEA 0183 data from the Depth, Wind and Log instruments and the PC is converted and transmitted onto the NMEA 2000 backbone and each source of this data can be selected as a Data Source by the GPS/plotter and the autopilot.

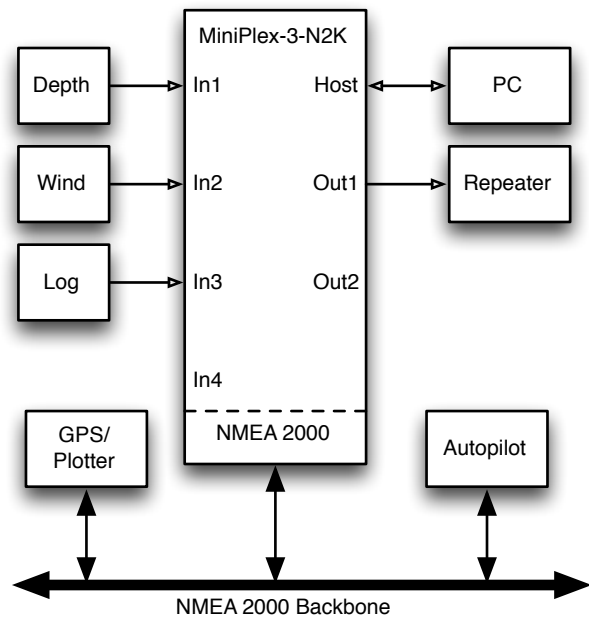


Figure 6

# Host Interfaces

---

The following section describe the different types of host interfaces of the MiniPlex-3: USB, Ethernet and WiFi. Each of them requires different steps and knowledge to connect to it successfully. It is very important to read the corresponding paragraphs about the host interface of your MiniPlex-3 carefully to avoid problems. Note that all host interfaces are bi-directional: they provide NMEA 0183 data to connected devices and these devices can also send NMEA 0183 data to the MiniPlex-3 to control an autopilot for instance.

## USB Port

The USB port requires the installation of a driver. This driver consists of two parts and each of them must be installed manually through the device manager (Windows) or by executing an installer (macOS). No driver needs to be installed on Linux because all recent Linux distributions contain the *ftdi\_sio* driver which matches the FTDI USB chip in the MiniPlex-3.

The USB port is galvanically isolated from the MiniPlex-3 to prevent ground loops when connected to a computer. Ground loops can result in excessive currents in ground connections, which could destroy the MiniPlex-3 or the USB port of the connected computer.

Because of this galvanic isolation, a MiniPlex-3 will not be powered from the USB bus.

**The MiniPlex-3 always requires a power supply on the PWR terminals to operate.**

The USB port circuitry however does receive its power from the USB bus. A computer will therefore always show a virtual COM port when the MiniPlex-3 is connected, even without power supply.

## Flow Control

The USB port supports hardware (CTS/RTS) flow control. This allows the MiniPlex-3 to suspend the flow of data from the computer when the host buffer in the MiniPlex-3 is almost full, while data is being routed to an NMEA 0183 output. This is necessary because NMEA data is transmitted from an NMEA output at a much slower speed than it is received through the USB port.

When a navigation application only sends a few sentences per second, there is no problem. The host buffer can store 512 characters or 6 NMEA sentences of maximum length (82 characters). This is appr. 1 second of NMEA data at 4800 Baud.

If an application sends more sentences per second and the host buffer is filled, the excess sentences are simply discarded. To prevent this from happening, the navigation application must support hardware flow control (CTS/RTS), which usually must be enabled by the user.

Flow control settings can usually be found in the communication port settings of your software and is often called "flow control" or "handshake". Set the flow control to *Hardware* or *CTS/RTS*. Do not use *Xon/Xoff* flow control. The latter uses special control-characters instead of a hardware signal. These control-characters are not part of the NMEA standard and therefore not supported by the MiniPlex-3.

If a navigation application does not support flow control, limit the number of sentences being sent to the MiniPlex-3 to a maximum of 480 characters per second.

There is no need for flow control if no data is being routed from a host interface to an NMEA 0183 output.

## Driver Installation

To use a MiniPlex-3 with a USB port, a driver must be installed. This driver creates a virtual COM port, which can be opened by navigation software.

The CD contains drivers for Microsoft Windows (Windows 7, 8 and 10) and Apple's macOS.

### Windows 7 and up

When the MiniPlex is connected to the computer for the first time, Windows will automatically download the most recent drivers from the Windows Update Service if an Internet connection is available. Without Internet connection, these drivers must be installed manually.

To install the drivers for the MiniPlex manually, open the Device Manager.

The Device Manager will show a "ShipModul MiniPlex-3USB" listed under "Other Devices" as shown in Figure 7.

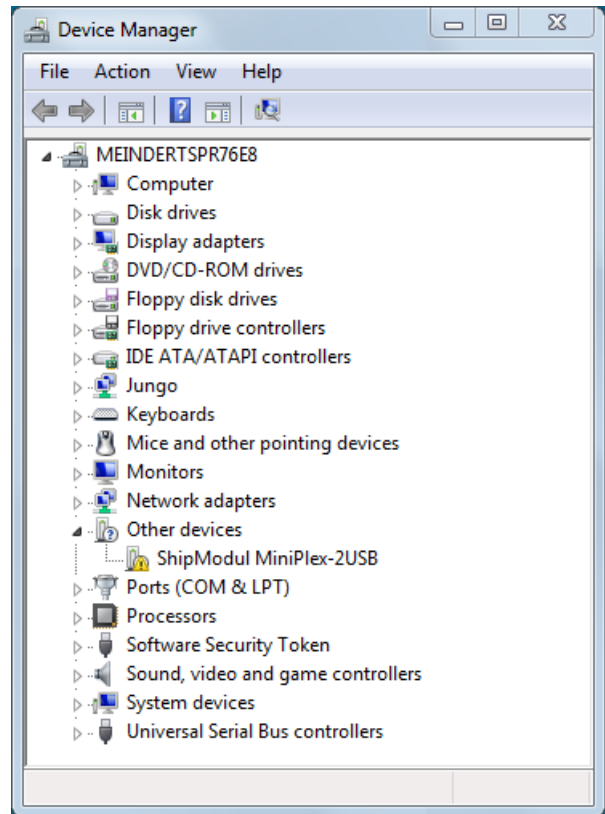


Figure 7

Right-click on the MiniPlex entry and choose "Update Driver" from the menu that appears. This will open the window as shown in Figure 8.

Choose "Browse my computer for driver software".

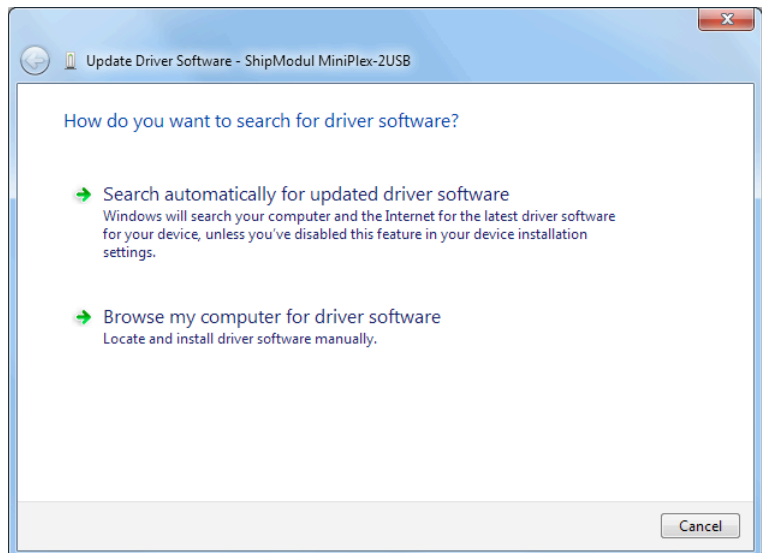


Figure 8

A new window opens (Figure 9) where you must choose the location of the driver. The driver is in the subfolder “\USB Driver\Windows” on the MiniPlex Driver & Utility CD.

If you click on “Next”, Windows will install the driver.

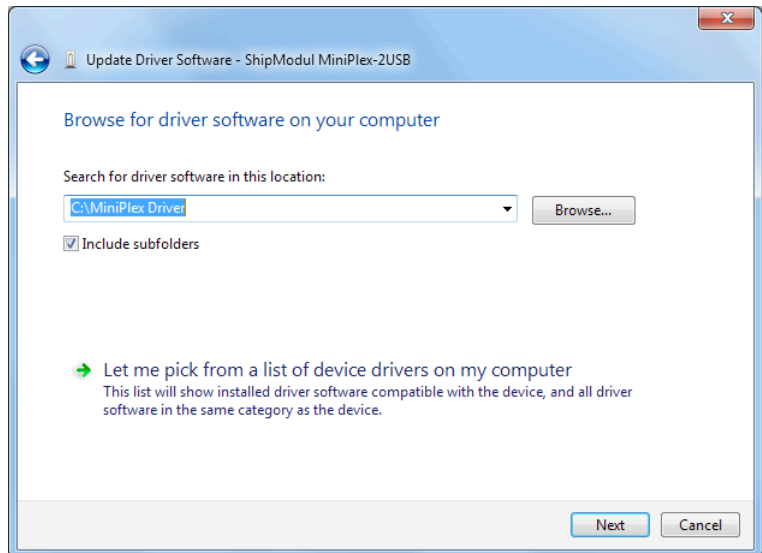


Figure 9

When Windows has successfully installed the driver, the window as shown in Figure 10 appears.

You can close this window.

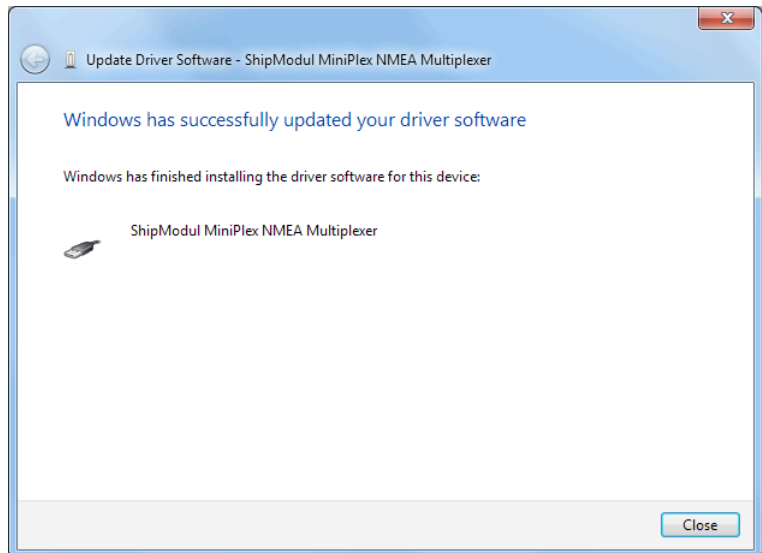


Figure 10

The Device Manager will now list a “USB Serial Port” under “Other Devices” (Figure 11). For this port to work, a second driver needs to be installed.

Right-click on the USB Serial Port entry and choose “Update Driver” from the menu that appears. This will open the window as shown in Figure 12.

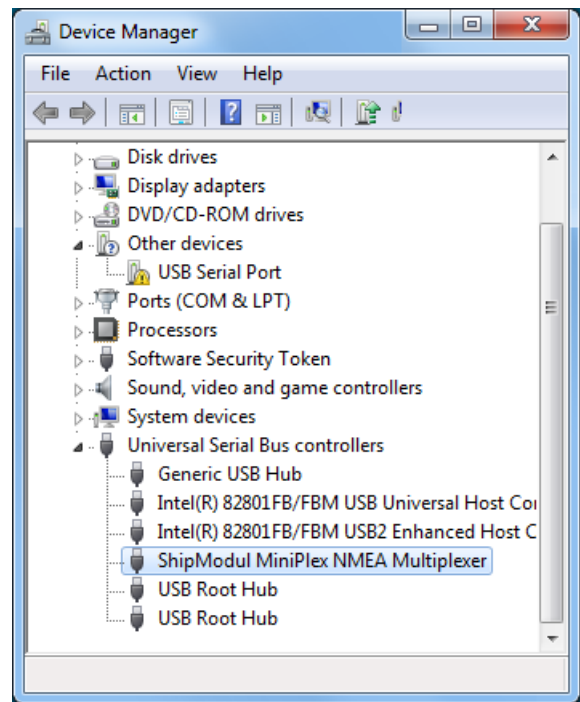


Figure 11

Choose “Browse my computer for driver software”.

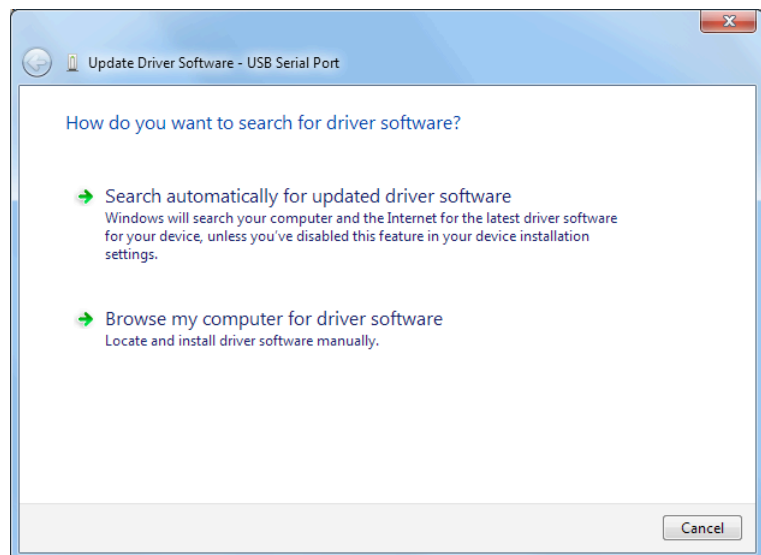


Figure 12



A new window opens (Figure 13) where you must choose the location of the driver again. This time, the location is already set, and you can click on "Next".

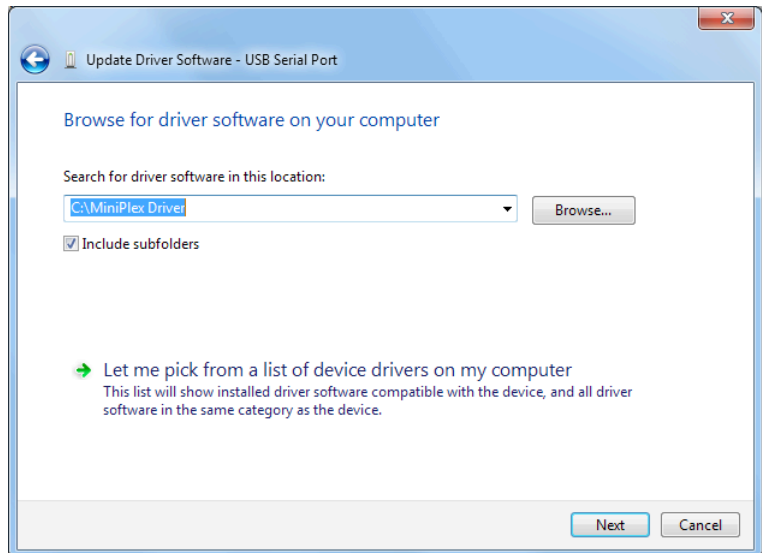


Figure 13

When Windows has successfully installed the second driver, the window as shown in Figure 14 appears.

You can close this window.

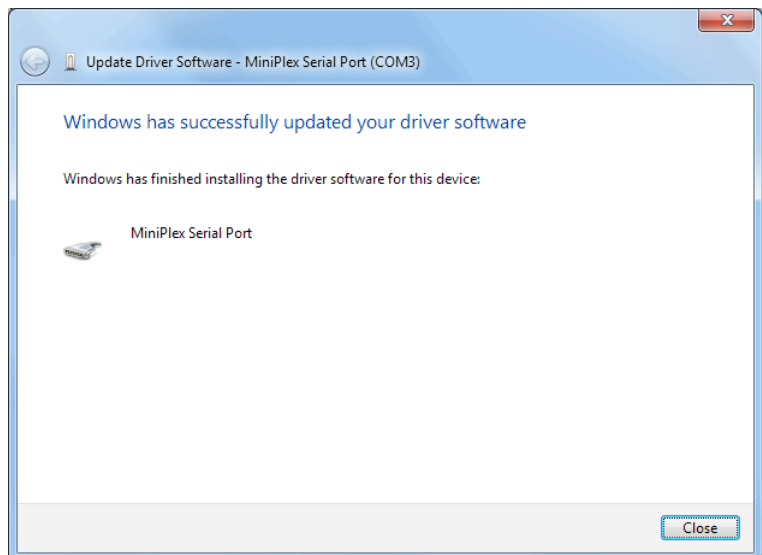


Figure 14

The Device Manager will now list a "ShipModul MiniPlex NMEA Multiplexer" under "Universal Serial Bus controllers" and a "MiniPlex-3 Serial Port (COMx)" under "Ports (COM & LPT)".

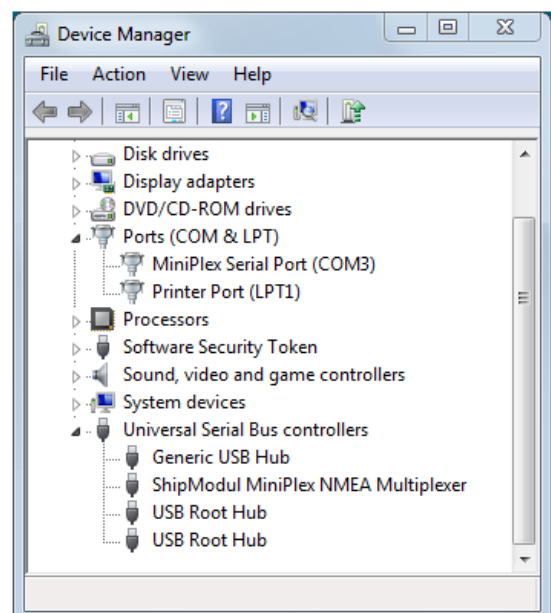


Figure 15

## Windows XP

The supplied CD does not contain a driver for Windows XP, but this driver can be downloaded from the download page on our web site.

When the MiniPlex-3 is connected to a USB port for the first time, Windows will detect new hardware and prompts you for a driver. Insert the supplied CD into the drive and follow the instructions on your screen. If you have an Internet connection, you can let Windows search the Internet for updated drivers. Otherwise, when asked to automatically search for drivers, answer no and choose the option to tell Windows where to find the driver. The driver can be found on the supplied CD, in the folder “\USB Driver\Windows”

The installation on Windows is a two-step process. First, the driver for the MiniPlex-3 will be installed. Next, Windows will detect a USB Serial device and will install a second driver. On Windows XP systems, there can be a delay of up to 10 seconds between the installation of both drivers, which sometimes leads to the wrong conclusion that the installation is complete after the first driver is installed. On Windows Vista and Windows 2000 systems, there is only very little delay.

When the installation is complete, a new virtual COM port will be created.

If necessary, the number of this COM port can be changed in the Windows Device Manager. Click on the “+” sign next to the entry marked as “Ports (COM & LPT)”. This will expand the entry to list all available COM ports on your computer. The port for the MiniPlex-3 is listed as “MiniPlex-3 Serial Port (COMx)” where “COMx” is the name of the newly created serial port.

To change this port number, double click on the “MiniPlex-3 Serial Port (COMx)” entry to open the property page for this port. Next, select the **Port Settings** tab and click on the **Advanced...** button. In the appearing window the assigned port number can be changed. Do not change any other setting in this window.

It is possible to select a port number that is already present on the computer, like COM1. The original COM1 port will then be disabled if the MiniPlex-3 is connected to the computer. This feature allows the port number to be set in a low range from COM1 to COM4, to accommodate software that only allows COM1 to COM4 to be selected.

More than one MiniPlex-3 can be connected at the same time. Every new unit will create a new virtual COM port. Once created, the COM port will always be assigned to the same MiniPlex-3 regardless of the USB port being used.

Windows allows a maximum of 256 COM ports. However not all software may be able to select COM ports numbered above COM9.

When installing updated drivers, uninstall the original drivers first with the **Add/Remove Programs** icon in the Control Panel or use the **Update Driver** button on the **Driver** tab of the “MiniPlex Serial Port” property-page.

## macOS

The macOS driver is available as a disk image file (.dmg) and can be found on the supplied CD in the “USB Driver” folder. Run the installer by double clicking on the icon. Follow the instructions on the screen. When the installation is complete, plug in the USB cable of the MiniPlex. The MiniPlex will show up in the ports list of your navigation software as MiniPlex-xxxxxxx where the xx-es represent the serial number of the MiniPlex.

The latest versions of OS X or macOS do not allow software to be executed if it isn't downloaded from the App Store by default. To allow our drivers to be loaded, open **System Preferences** and click on **Security & Privacy**. On the **General** tab in this window, enable **Mac App Store and identified developers** (Figure 16).

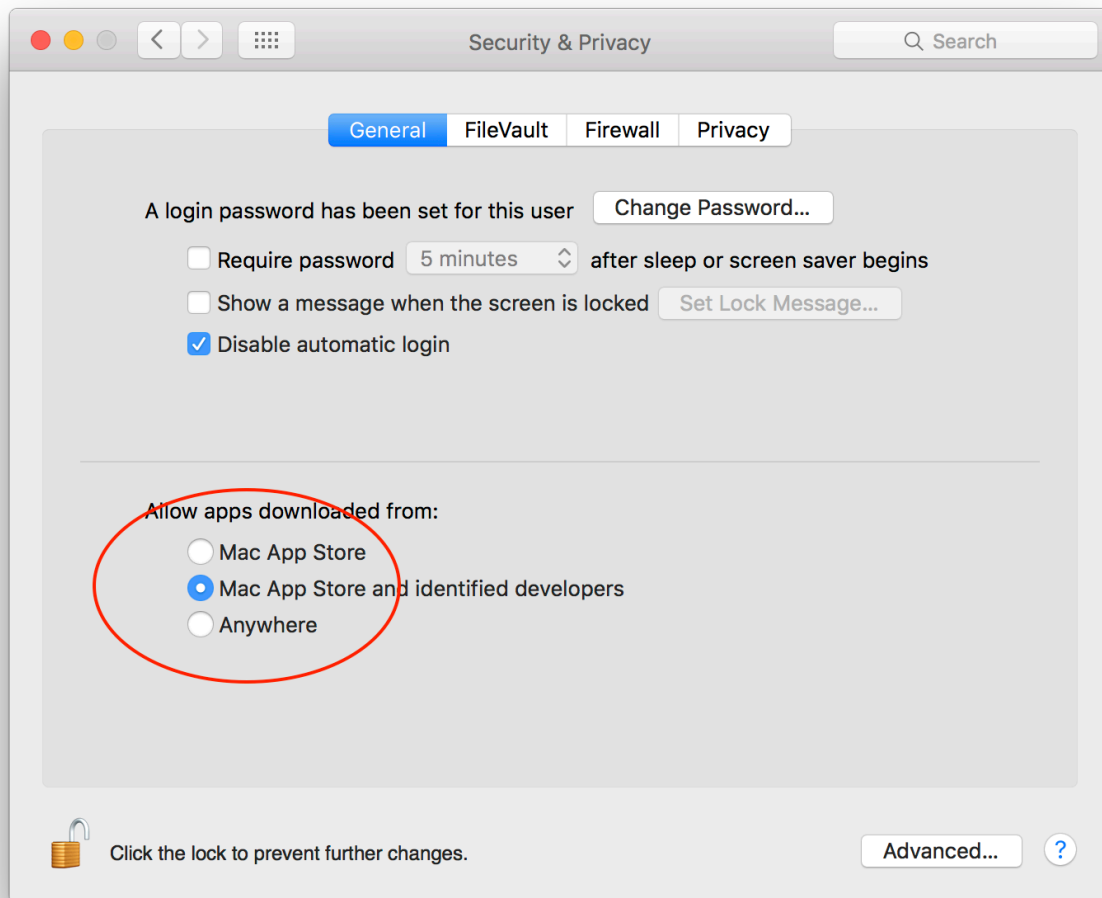


Figure 16

## Linux

No driver needs to be installed in Linux as all recent distributions already contain the *ftdi\_sio* driver required for the FTDI chip used in the MiniPlex-3. Our VID:PID (0x0403:0xFD4B) is also present in the USB configuration tables in Linux.

The communication speed in your navigation software must be set to 460800 Baud.

## Ethernet Interface

The MiniPlex-3E(-N2K) has an Ethernet interface to connect it to a network or router. Through this interface, other devices on the network can receive NMEA 0183 data from the MiniPlex-3E and they can send NMEA 0183 data to the MiniPlex-3E.

An application connects to the MiniPlex-3E using its IP address and port number 10110. The default protocol is UDP and can be changed to TCP in the Network Settings.

Using a MiniPlex-3E for the first time can be challenging, depending on how the MiniPlex-3E is connected to your computer or network. It also requires some basic networking knowledge, which can be found in chapter **Network Basics** on page 33.

Several scenarios are possible, all requiring a different procedure:

1. Existing network/router with DHCP
2. Existing network with static IP addresses/no DHCP
3. Direct connection to a computer

These scenarios also determine how and which IP address the MiniPlex-3E has.

### 1. Existing network/router with DHCP

This is probably the most common situation. A router on the network provides internet access and has its DHCP server enabled. All devices on that network will automatically receive a unique IP address and network mask from the router and so will a MiniPlex-3E in its factory settings. This places all devices within the same logical network: the masked part of their IP address, the network address, is the same for each device (see chapter **Network Basics** on page 33) and they can all communicate with each other.

Start MPXConfig3, set the **Port** selector in the **MiniPlex Connection** box to UDP and use menu option **Tools > MiniPlex-3E > Search** to find the MiniPlex-3E. A window will show the MiniPlex-3E and its IP address (Figure 17). Check if the listed IP address is not an Auto-IP address in the 169.254.x.x range. This indicates a failure to obtain an IP address from a DHCP server.

Select the entry and click **OK** or double-click on the entry in the list. On the main window of MPXConfig3, the IP address is now visible in the **Host** field in the **MiniPlex Connection** box. If you click on the **Connect** button, a connection to the MiniPlex-3E is established and you can configure it.

Searching for the very first time will most likely trigger a Windows Security Alert. In this window, you must allow MPXConfig3 to communicate on all listed network interfaces. Click on **Allow Access** and start the search again.

If no Windows Security Alert appears and no MiniPlex-3E is listed in the search results, you most likely have other firewall software block access for MPXConfig3. Configure that firewall to allow MPXConfig3 to access through TCP and UDP ports 10110 and 30718.

On macOS, signed software such as MPXConfig3 for macOS is automatically allowed to receive incoming connections, so no special action is required to allow MPXConfig3 for macOS to work.

### 2. Existing network with static IP addresses/no DHCP

All devices on the network have a manually assigned unique IP address and network mask. Since there is no DHCP server on the network, the MiniPlex-3E will not receive an IP address. Instead, it will assign itself an Auto-IP address in the 169.254.x.x range. This IP address will be shown in the **Search results** window. Since this IP address is on a different logical network than the computer running MPXConfig3, it is not possible to establish a connection to the MiniPlex-3E. Even menu **Tools > MiniPlex-3E > Network Setup** will not work because this also requires the MiniPlex-3E to be on the same logical network.

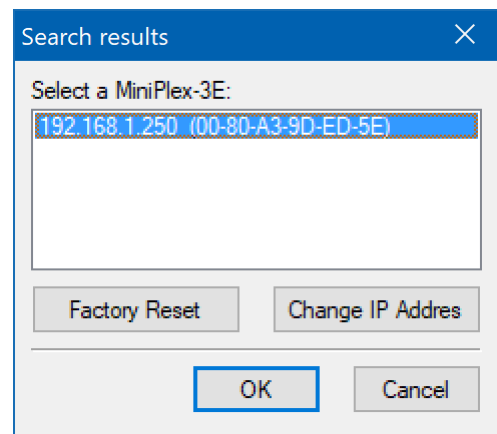


Figure 17

The only way to get the MiniPlex-3E on the same network is to select the listed MiniPlex-3E and click on **Change IP Address**. This opens the **Assign IP Address** window (Figure 18). The **MAC Address** field already contains the MAC address of the MiniPlex-3E. Enter an IP address that is unique within your network and click **OK**. MPXConfig3 will now broadcast this IP address to the MiniPlex-3E, and the **Search results** window will list the MiniPlex-3E with the newly assigned IP address.

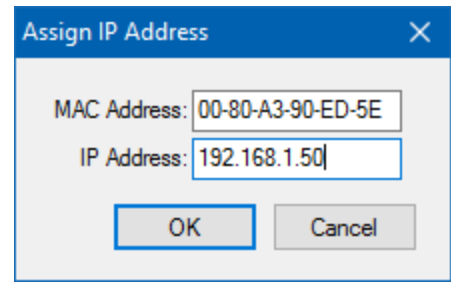


Figure 18

Select the entry and click **OK** or double-click on the entry in the list. On the main window of MPXConfig3, the IP address is now visible in the **Host** field in the **MiniPlex Connection** box. If you click on the **Connect** button, a connection to the MiniPlex-3E is established and you can configure it.

Note that no network mask needs to be specified. A correct network mask is required but the Ethernet interface of the MiniPlex-3E will assign itself a correct network mask based on the entered IP address.

### 3. Direct connection to a computer

In this case, the MiniPlex-3E is connected directly to a computer using a single Ethernet cable. Ensure that the Link-LED (LNK) on the Ethernet port of the MiniPlex-3E lights up green or amber. If this LED is off, there is no physical connection between the transmitters and receivers in both Ethernet ports (MiniPlex-3E and computer). Most computers can automatically switch their transmitter and receiver pins on the Ethernet connector, but some can't. In that case, an ordinary Ethernet cable cannot be used and a so called cross-cable is required.

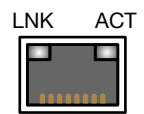


Figure 19

When the Link-LED is lit, you need to establish if the IP assignment of your computer is set to **Manual** or **Automatic (DHCP)**. You can check that in the Windows network settings.

In either case, it is required that both the MiniPlex-3E and the computer use the same mode of operation: either they both use Automatic and the communicate using their Auto-IP addresses or they must both be set to a unique fixed IP address and network mask, so they are both in the same logical network.

If the IP assignment of your computer is set to **Automatic (DHCP)**, use MPXConfig3 menu option **Tools > MiniPlex-3E > Search** to find the MiniPlex-3E. It will show up in the **Search results** window with an Auto-IP address in the 169.254.x.x range.

Select the entry and click **OK** or double-click on the entry in the list. On the main window of MPXConfig3, the IP address is now visible in the **Host** field in the **MiniPlex Connection** box. You can now try to establish a connection to the MiniPlex-3E on the MPXConfig3 main window by clicking on the **Connect** button.

If your computer is set to **Manual**, either change it to **Automatic (DHCP)** or follow the steps in (2) to set the MiniPlex-3E to a fixed IP address and network mask.

### Network Setup

To change any of the network settings, make sure the IP address of the MiniPlex-3E is in the **Host** field in the **MiniPlex Connection** box on the MPXConfig3 main window and select menu **Tools > MiniPlex-3E > Network Setup**. This will open the **MiniPlex-3E Network Settings** window as shown in Figure 20.

These are the factory default settings. The IP address shown here is 0.0.0.0, which indicates the MiniPlex-3E is set to DHCP. This address is different from what is shown in the **Search results** window because the latter shows the IP address received from a DHCP server or the Auto-IP address.

If desired, a fixed IP address and a matching network mask can be entered that matches your network. The Gateway IP can be left to 0.0.0.0 if you are not going to set the MiniPlex-3E to UDP Directed.

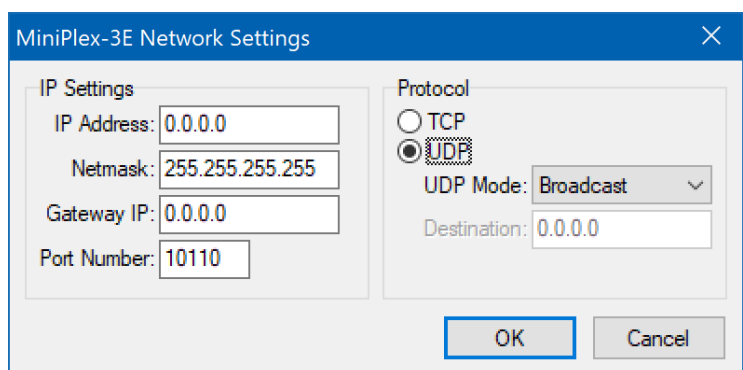


Figure 20

Figure 21 shows an example of fixed IP settings.

The protocol is set to **UDP**. This is the preferred method for NMEA 0183 data. UDP Mode **Broadcast** ensures that all devices and computers on the same network will be able to receive the NMEA 0183 data. At the same time, all devices on that network will also be able to send NMEA 0183 to the MiniPlex-3E.

When the MiniPlex-3E is connected to a WiFi router, all WiFi connected devices will also be able to receive NMEA 0183 data. This can be an advantage over using a MiniPlex-3Wi, which limits the number of “connected” devices to four.

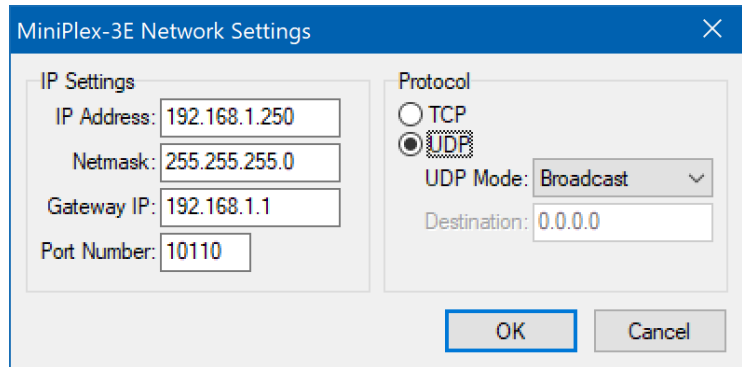


Figure 21

Note that UDP Broadcasts always remain within one network. If NMEA 0183 data needs to be transported across network boundaries or over the Internet, either UDP Mode **Directed** or TCP need to be used. Both modes limit the number of hosts that can communicate with the MiniPlex-3E to one!

### UDP Mode: Directed

If you set the UDP Mode to **Directed**, you must enter a destination IP address in the **Destination** field. If this IP address is not on the same network as the MiniPlex-3E, you must also enter the address of your network gateway in the **Gateway IP** field if the MiniPlex-3E is not set to DHCP.

When these settings are activated, you will no longer receive any NMEA 0183 data from the MiniPlex-3E as they are now transmitted to the destination IP address only. MPXConfig3 will no longer be able to read any NMEA related setting nor can they be changed. The network settings however can always be changed regardless of this setting.

So, when UDP mode **Directed** is to be used, first configure the NMEA settings of the MiniPlex-3E using UDP mode **Broadcast**. Only when all NMEA related settings are completed and verified, change the UDP mode to **Directed**.

### TCP

Using the TCP protocol is another way to reach the MiniPlex-3E across network boundaries or over the Internet. Since the TCP server in the network interface supports only one connection, the number of computers/devices that can access the MiniPlex-3E via TCP is limited to one.

### Port Number

The default port number for NMEA 0183 data is 10110. This is the standard port number for NMEA 0183 over UDP and TCP. MPXConfig3 uses this port number by default. Some apps however, work with a different and fixed port number.

### Saving the Network Setup

If you click on the **OK** button to save the network settings, a progress bar will appear, and the network interface will be restarted. This takes approx. 7 seconds. The new IP address and protocol will appear automatically in the **MiniPlex Connection** box on the main window of MPXConfig3 when the process is completed.

It is important to know that the protocol chosen in the **MiniPlex Connection** box on the main window of MPXConfig3 only defines how MPXConfig3 connects to the MiniPlex-3E. It does not change the protocol of the MiniPlex-3E itself. So, if you need to change the protocol from UDP to TCP, you first need to change the network settings of MiniPlex-3E and then choose TCP in the **MiniPlex Connection** box.

### Reset to DHCP

To change the network settings from fixed IP back to DHCP, open the network configuration, set the **IP Address** and **Gateway IP** fields to 0.0.0.0 and click OK.

The settings of the MiniPlex-3E cannot be verified after this change, so a warning will appear. You will now need the **Search** function to find the MiniPlex-3E with its DHCP-assigned IP address.

## Network Recovery

If a MiniPlex-3E has a fixed IP address outside the network range or if it doesn't show up in the search results window due to a possible misconfiguration in the network settings, menu option **Tools > MiniPlex-3E > Assign IP** can be used to recover from such a situation.

In the **Assign IP Address** window (Figure 22), enter the MAC address of the MiniPlex-3E which can be found on the label on the topside of the device, below the serial number.

Enter the MAC address with the fields separated by dashes as shown. Then enter a valid IP address for your network or 0.0.0.0 to reset the MiniPlex-3E to DHCP and click on OK. A progress bar will appear during the update process, which will take approximately 10 seconds. After that, the MiniPlex-3E can be found again using the Search option.

In case of a duplicate IP address on the network, it is necessary to disconnect the "offending" device first, before being able to control/reset the MiniPlex-3E.

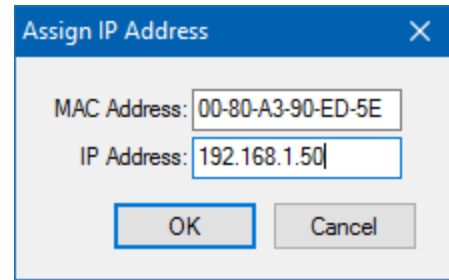


Figure 22

## WiFi Interface

The MiniPlex-3Wi(-N2K) can communicate wirelessly with devices like smartphones, tablets and PCs through its WiFi interface. This WiFi interface provides an access point which other devices can join. A WiFi client is also provided, allowing the MiniPlex-3Wi to join an existing WiFi access point.

Connecting to the MiniPlex-3Wi using its WiFi interface requires some basic networking knowledge, which can be found in chapter **Network Basics** on page 33.

## WiFi Access Point

The MiniPlex-3Wi provides an 802.11b/g/n wireless access point with the following parameters:

<b>SSID (name):</b>	<b>MiniPlex-xxxxxxx</b>
<b>Password:</b>	<b>MiniPlex</b>
<b>Security:</b>	<b>WPA2</b>
<b>IP address:</b>	<b>10.0.0.1</b>
<b>Port:</b>	<b>10110</b>
<b>Protocol:</b>	<b>TCP and UDP</b>
<b>DHCP:</b>	<b>yes</b>
<b>DHCP Range:</b>	<b>10.0.0.2 – 10.0.0.9</b>

The xxxxxxxx-es are the serial number of the MiniPlex-3Wi as printed on the serial number sticker. This uniquely identifies a MiniPlex-3Wi from other access points.

A maximum of four devices may join the MiniPlex-3Wi access point at a time. On all devices, apps may connect via UDP simultaneously. TCP is however limited to one connection only. TCP and UDP can be used simultaneously.

The NMEA data from the MiniPlex-3Wi is available on the WiFi network via TCP/UDP port 10110.

To join the MiniPlex-3Wi access point, open the WiFi settings on your device and look for the MiniPlex network.

On an iPad for instance, the MiniPlex-3Wi will appear as shown in Figure 23.

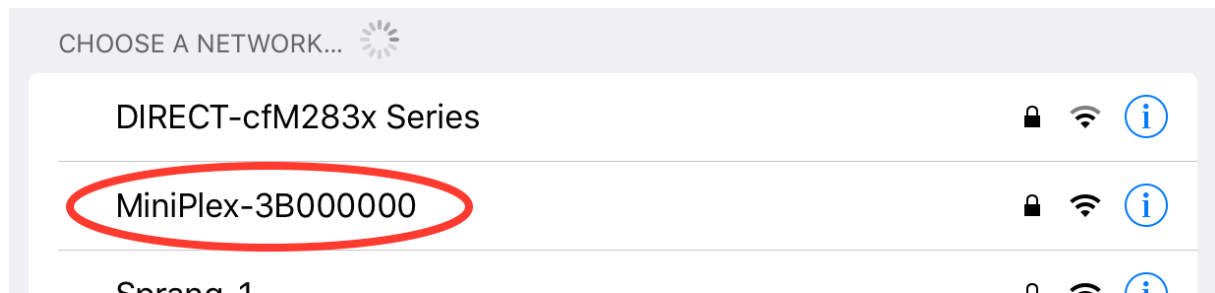


Figure 23

Tap on the MiniPlex entry to connect and enter the password "MiniPlex" when prompted.

After a successful connection, a warning may appear, telling you there is no internet connection. This is correct: the MiniPlex does not provide a connection to the Internet. You can ignore this.

The built-in DHCP server of the MiniPlex-3Wi automatically assigns IP addresses to devices that join its access point. This DHCP server assigns up to four IP addresses to a maximum of four devices. Many iOS and Android devices now have a feature called "Private WiFi Address". This feature needs to be switched off for the MiniPlex access point settings because it makes your mobile device request a new IP address regularly. This will quickly exhaust the DHCP pool of the WiFi interface of the MiniPlex, which effectively disconnects your mobile device from the access point.

If the "Private WiFi Address" feature cannot be disabled on your mobile device, you can work around this by setting a fixed IP address in your device. This address needs to be unique for each device that is connected to the MiniPlex and should be within the range of 10.0.0.10 – 10.0.0.254.

It is also not required nor possible to assign an IP address to the MiniPlex-3Wi when joining its access point: it is always fixed to 10.0.0.1.

Do not attempt to use any of the **Tools > MiniPlex-3E** sub-menus of MPXConfig3, as they are exclusively for the MiniPlex-3E and do not work on a MiniPlex-3Wi.



In your navigation application, you need to enter the IP address of the MiniPlex-3Wi, which is 10.0.0.1. The port number to use is 10110. Figure 24 shows the settings in iNavX®, for example.

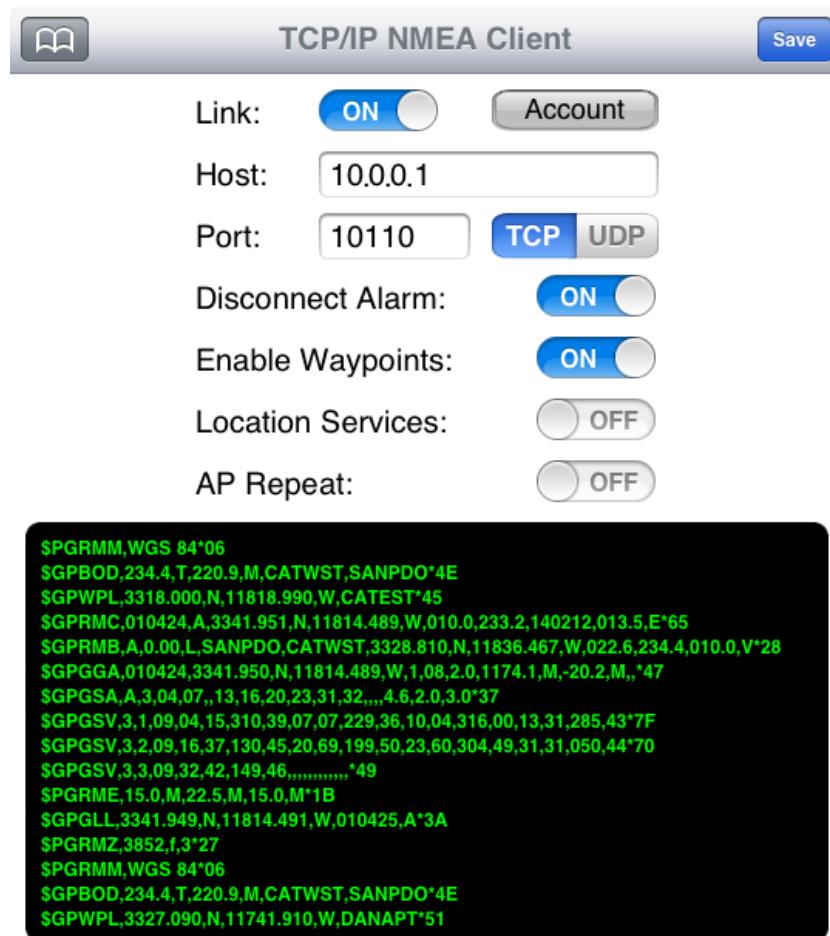


Figure 24

The WiFi interface and the USB port of an MiniPlex-3Wi operate simultaneously and with the same priority. This allows an on-board fixed computer to be connected simultaneously with wireless devices.

**No data is routed between the WiFi interface and the USB port! This means that you cannot see any data transmitted by a navigation app in MPXConfig3 on the USB port and vice-versa!**

The WiFi interface cannot be used to update the firmware of the MiniPlex-3Wi or to configure the WiFi interface using \$PSMDWI commands (see the Technical Reference, *Proprietary NMEA 0183 Sentences* on page 95). Only the USB interface can be used for this.

## App Behaviour

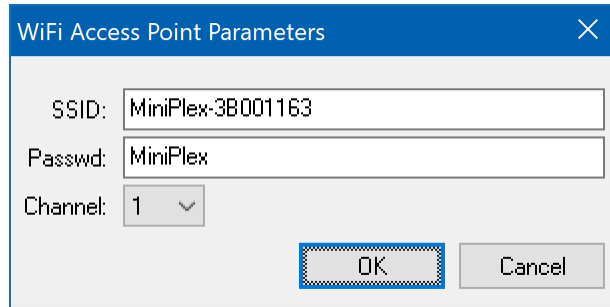
When switching between apps, it is not always clear from their documentation if an app closes a TCP connection. As mentioned earlier, the MiniPlex-3Wi supports one single TCP connection at a time. Switching from one app to another is usually done by pressing/touching the home button on your device and selecting the new app. The app that was running before however, is not closed! It is merely switched to the background. Depending on what the developer of the app has envisioned, the app can go to sleep, or it can keep running.

In either case, it can also keep the TCP connection open for a background task like logging your position. It is then impossible for the new app that is just started to open a TCP connection. iNavX behaves "nice": it closes the TCP connection and only reopens it when you activate the app again. But other apps might not close the TCP connection, preventing other apps from opening it.

If that is the case, the only way of making the app close the TCP connection is to really terminate the app.

## Changing SSID and Password

The SSID (the network name) and passphrase of the MiniPlex-3Wi network can be changed. Start MPXConfig3 and connect through the USB/COM port. Menu **Tools > MiniPlex-3Wi > Setup WiFi Parameters** will open a window showing the current WiFi access point settings:



The dialog box titled "WiFi Access Point Parameters" has a blue header with a close button. It contains three input fields: "SSID:" with the value "MiniPlex-3B001163", "Passwd:" with the value "MiniPlex", and "Channel:" with a dropdown menu set to "1". At the bottom right, there are two buttons: "OK" and "Cancel".

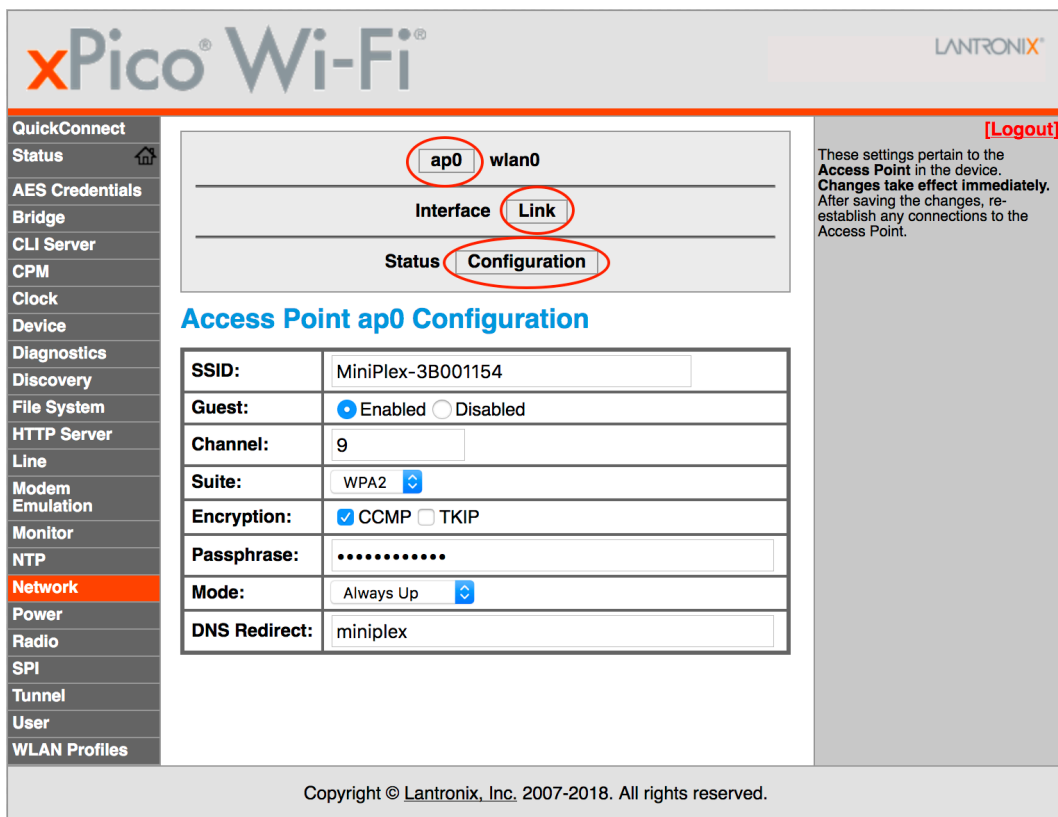
Figure 25

The settings shown are the factory-default settings. You can enter a new SSID up to 32 characters. The password must be 8 to 31 characters.

Since access points are often set to channel 1 by default, it is wise to choose a different channel. Marina access points are notoriously known to use channel 1 and high (illegal) power levels. These access points can severely interfere with the MiniPlex-3 to an extent that the access point of the MiniPlex-3 cannot be reached.

It is also possible to change the access point parameters through a web browser. Start your browser and go to **http://10.0.0.1** In the window that pops up, enter username "admin" and password "MiniPlex". Note that this password remains unchanged when you change the WiFi password.

When the web interface appears, select **Network** from the menu on the left.



The screenshot shows the xPico Wi-Fi web interface. The top header features the "xPico Wi-Fi" logo and the "LANTRONIX" logo. On the left is a navigation menu with items like "QuickConnect", "Status", "AES Credentials", "Bridge", "CLI Server", "CPM", "Clock", "Device", "Diagnostics", "Discovery", "File System", "HTTP Server", "Line", "Modem Emulation", "Monitor", "NTP", "Network", "Power", "Radio", "SPI", "Tunnel", "User", and "WLAN Profiles". The "Network" item is highlighted in orange. The main content area shows a breadcrumb path: "ap0" (circled in red), "wlan0", "Interface", "Link" (circled in red), "Status", and "Configuration" (circled in red). Below this is the "Access Point ap0 Configuration" section with a table of settings:

SSID:	MiniPlex-3B001154
Guest:	<input checked="" type="radio"/> Enabled <input type="radio"/> Disabled
Channel:	9
Suite:	WPA2
Encryption:	<input checked="" type="checkbox"/> CCMP <input type="checkbox"/> TKIP
Passphrase:	.....
Mode:	Always Up
DNS Redirect:	miniplex

On the right side, there is a "[Logout]" link and a warning message: "These settings pertain to the Access Point in the device. Changes take effect immediately. After saving the changes, re-establish any connections to the Access Point." At the bottom, a copyright notice reads: "Copyright © Lantronix, Inc. 2007-2018. All rights reserved."

Figure 26

On the top of the page that appears, select **ap0**, **Link** and **Configuration**. This will show the current access point "ap0" configuration (Figure 26).

Change the SSID and Passphrase as desired and click on the "Submit" button which appears at the bottom of the table. The maximum length of the SSID is 32 characters. The password must be 8 to 31 characters.

The WiFi interface will restart with the new credentials, and you will need to re-join the WiFi network with these credentials.

### SSID/Passphrase Recovery

If you lost the passphrase, you can restore the SSID and passphrase to its factory settings with MPXConfig3. Start MPXConfig3 and connect through the USB/COM port. Menu **Tools > MiniPlex-3Wi > Initialize WiFi Interface** will reset the WiFi interface to its factory settings. This process takes approx. 40 seconds.

### Enabling or disabling the WiFi interface

If desired, the WiFi interface can be disabled with the following command:

```
PSMDWI,D
```

To enable the WiFi interface again, use the following command:

```
PSMDWI,E
```

These commands must be entered in MPXConfig3 in the **Send NMEA** box while being connected through USB. When disabled, the WiFi interface will be switched off and none of the menu items or commands regarding the MiniPlex-3Wi will work, except the command to enable the WiFi interface.

### Joining an existing WiFi Access Point/Router

The WiFi interface of the MiniPlex-3Wi can be configured to join an existing WiFi access point/router on your boat. This lets you access the NMEA 0183 data provided by the MiniPlex-3Wi from anywhere on your main on-board network without needing to switch the WiFi connection of your remote device between both WiFi access points.

The MiniPlex-3Wi provides a web interface to configure the WiFi module. We strongly recommend not to change any other setting in the web interface than what is described here, as some settings are critical for the NMEA data communication. If you do change things "beyond repair", use the procedure described in **SSID/Passphrase Recovery** above.

The following steps outline the procedure to let the MiniPlex-3Wi join an Access Point:

- Connect your computer or tablet to the MiniPlex WiFi Access Point (AP).
- Open a web browser and type 10.0.0.1 in the URL address bar.
- An authentication is required (Figure 27), use username "admin" and password "MiniPlex"

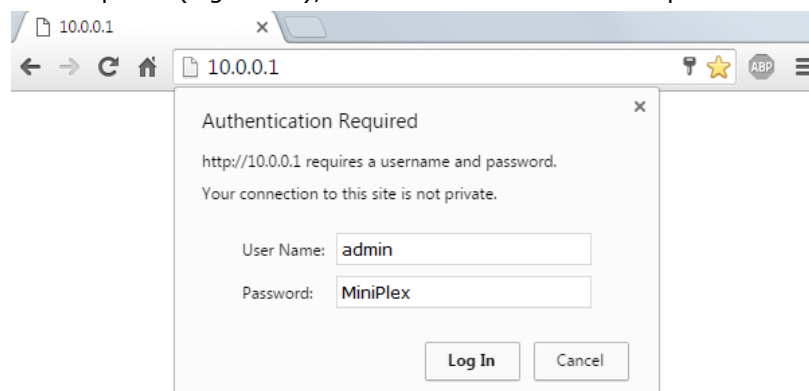


Figure 27

- You will see the following web page (Figure 28):



Figure 28

- Click on **QuickConnect** to go to the **WLAN Link Scan** page (Figure 29), which shows all the access points found by the MiniPlex-3Wi.



Figure 29

- Click on the access point Name you want to join.

- This will show a **WLAN Profile** page of the selected access point (Figure 30).

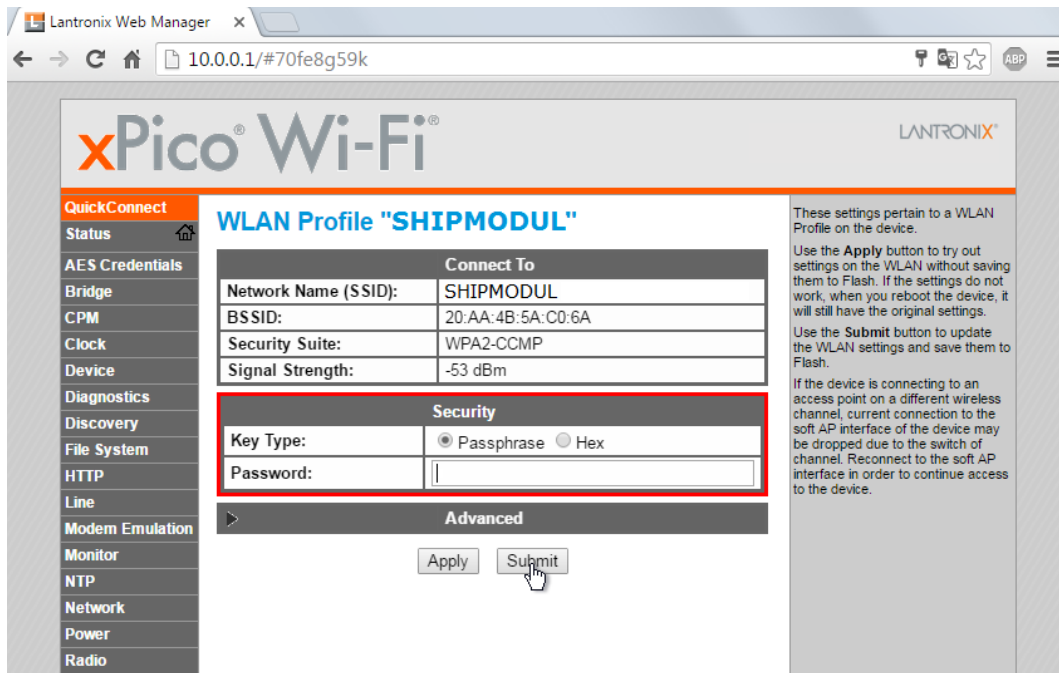


Figure 30

- Enter the password of your access point and click on **Submit**.
- You will see notifications that all changes are made and saved (Figure 31).



Figure 31

- Go back to the status page by selecting **Status** from the menu on the left (Figure 31)



Figure 32

- Check that the WLAN interface is connected (black outline in Figure 32)
- You can see the new IP address of the MiniPlex-3Wi in the red outline in Figure 32. This is the address you need to enter in your navigation app to connect to the MiniPlex-3Wi. At this point, you can only connect to this IP address using TCP. The UDP server is still linked to the access point (ap0) interface of the MiniPlex-3Wi and cannot be active on both the access point and the client interface (wlan0) at the same time. If you need UDP to work while the MiniPlex-3Wi is connected to your access point, another setting needs to be changed. To do this, write down the IP address including the number after the slash ("/"). Then Click on **Tunnel** in the menu to go to the **Tunnel 1 Status** page (Figure 33).



Figure 33

- Click on **Connect** on the top of the page.

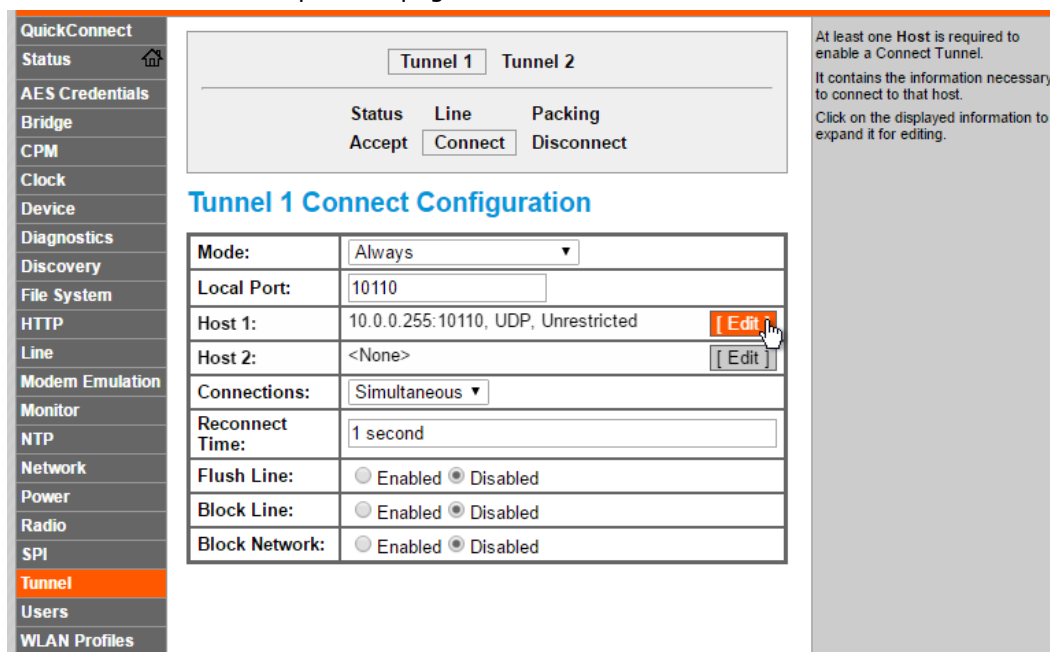


Figure 34

- On the page that appears (Figure 34), click on the **Edit** on the **Host 1** line as shown. Now you can change IP address into the *broadcast address* of your existing access point, which is the tricky bit. If the IP address you wrote down in step 12 needs to be changed depending on the number after the slash character. This number determines how many groups of the IP address must be changed to 255, according to the table below:

aaa.bbb.ccc.ddd/24:   aaa.bbb.ccc.255  
 aaa.bbb.ccc.ddd/16:   aaa.bbb.255.255  
 aaa.bbb.ccc.ddd/8:    aaa.255.255.255

So if the IP address in step 12 was 192.168.15.**106**/24, you need to enter 192.168.15.**255** here.

<b>Mode:</b>	Always
<b>Local Port:</b>	10110
<b>Host 1</b> <span style="float: right;">[ Summary ]</span>	
<b>Address:</b>	192.168.15.255
<b>Port:</b>	10110
<b>Protocol:</b>	UDP
<b>Reception:</b>	Unrestricted
<b>Host 2:</b> <None> <span style="float: right;">[ Edit ]</span>	
<b>Connections:</b>	Simultaneous
<b>Reconnect Time:</b>	15 seconds
<b>Flush Line:</b>	<input type="radio"/> Enabled <input checked="" type="radio"/> Disabled
<b>Block Line:</b>	<input type="radio"/> Enabled <input checked="" type="radio"/> Disabled
<b>Block Network:</b>	<input type="radio"/> Enabled <input checked="" type="radio"/> Disabled

Figure 35

- Enter the broadcast address in the Address line as shown in Figure 35 and Click on **Submit**. A notification is shown in green text if the setting is stored successfully.  
 Your MiniPlex-3Wi is now all set and you can access the MiniPlex-3Wi using both UDP and TCP via your own access point.  
 You can still join the access point of the MiniPlex-3Wi and use TCP at the same time.



# Network Basics

---

To understand how a networked MiniPlex-3E or MiniPlex-3Wi works and how to connect to it, some basic knowledge of IP addresses, port numbers and protocols is required.

## IP Address

Every device on a network has a unique number to be able to identify that device. This allows us to send a message to one single device on a network. These numbers are called *MAC addresses*. Every device in the world that is connected to a network has such a MAC address. The MAC address of a device is sometimes printed on a label and looks like this:

00-20-4A-E4-28-58

These hexadecimal addresses are a bit cryptic and not easy to work with, and there are not enough MAC addresses available for each networking device in the world. Therefore, a mechanism is used to assign an easier to read number to a device, called an *IP address*\*. An IP address consists of four numbers grouped together, separated by dots. Each number can range from 0 to 255. An IP address looks like this:

192.168.1.45

Assigning an IP address to a device could be compared to sticking a coloured label to your house. Now the postman only needs to remember the colour of your label instead of your complete address. Of course, someone needs to manage a list that matches the colour to your address to prevent two houses of receiving the same-coloured label. Networks and network devices have mechanisms built in that take care of this, so we don't have to worry about it (ARP or Address Resolution Protocol).

## Network Mask

Another tricky bit of networking is a *network mask*. A network mask basically determines (masks) which part of an IP address is the network address and which part is the device address. In its most basic form, a network mask consists of four numbers, like an IP address, that are either 255 or 0. And the 255's always come first. A device always has an IP address AND a network mask, for instance:

192.168.1.45 and 255.255.255.0

This combination of IP address and network mask tells us that the first three numbers (or more precisely: the first 24 bits) of the IP address are the network address (192.168.1.0) and the fourth number (45) is the device address. It also means that this combination limits the number of devices on this network to 254. 0 is the network address and 255 is the *broadcast* address, used to address all devices on the network at once.

A broadcast address allows us to send a single message to all devices on the network, instead of sending it to one single device. This is called a *broadcast* (see below). In this example, the broadcast address is 192.168.1.255. The last number here is 255, which means that it targets all devices on the network.

Having an IP/network mask combination of 192.168.1.45/255.255.0.0 means that the network address is 192.168.0.0 and the device address 1.45. There are 65534 possible devices (0.0 and 255.255 are reserved) and the broadcast address is 192.168.255.255.

If you're completely lost at this point, don't worry. Just remember the two requirements for devices to be able to communicate with each other:

- All devices must have the same netmask
- All devices must have the same network address

If two devices are connected to the same physical network and their network masks differ, they won't be able to communicate with each other since they are both on a different *logical* network.

## Port Number

A *port number* can be seen as a sub address within one single device. It allows a single device to offer multiple services, identified by a port number.

A network message always contains the IP address of the sender and the receiver and a port number. The port number is just a logical number identifying the type of data or service in the message.

Different port numbers allow a web server to offer standard http through port number 80, https through port number 443 and e-mail services through other port numbers.

---

\* MiniPlex-3 products only support IP V4 addresses.

Port numbers are not chosen arbitrarily. A certain range is standardized and controlled by an organization called IANA.

The MiniPlex-3E uses port number 10110, which is a registered port number for NMEA data. This is the port number you enter in your navigation software.

The MiniPlex-3E uses port number 30718 for configuration of the network interface. MPXConfig3 uses this port to transfer the contents of **Network Settings** dialog to the MiniPlex-3E.

## Assigning IP addresses/DHCP

When devices are connected to a network, they must all have a unique IP address and a matching network mask. One way of achieving this is to set the IP address and network mask of each device manually. The other way is to let a DHCP server take care of this.

DHCP is an acronym for Dynamic Host Configuration Protocol, which it is a mechanism to automatically assign IP addresses, network masks and other parameters to devices (hosts) on a network. A DHCP server on a network will respond to requests from DHCP clients to obtain an IP address.

In a typical network environment, a router acts as a DHCP server while other devices such as computers, tablets and smartphones are DHCP clients receiving IP addresses from the DHCP server. This ensures that you can connect these devices to the network without worrying about IP addresses and network masks, all of this is taken care of by the DHCP server.

The MiniPlex-3Wi acts as a WiFi access point with a DHCP server. When a device joins its WiFi network, it will automatically receive an IP address and network mask from the MiniPlex-3Wi. The only thing you need to do is to enter the fixed IP address of the MiniPlex-3Wi (10.0.0.1) and port number (10110) in your navigation software.

The MiniPlex-3E is completely different in this respect. It has a DHCP client and thus relies on a DHCP server already present on the network to obtain an IP address and network mask automatically. If no DHCP server is present, you must manually setup an IP address and network mask. This is the case for instance, if your "network" is just the MiniPlex-3E and a computer. Obviously, you will need to assign a manual IP address and network mask to your computer too in this case.

## Auto-IP

When DHCP requests remain unanswered, a device assigns itself an IP address in the range of 169.254.0.0 to 169.254.255.254 with a network mask of 255.255.0.0. This is called an Auto-IP address. Although two devices with an Auto-IP address on the same network can perfectly communicate with each other, this is not a desired situation because these addresses are assigned randomly. Also, the time it takes for a device to auto-assign varies wildly from a few seconds to over a minute.

## Protocols

Two transport protocols are available for sending data over the network: UDP and TCP. UDP can be used in two different modes: Broadcast and Directed.

A metaphor describing the differences between these protocols:

**UDP Broadcast:** A speaker (the MiniPlex-3), in front of an audience (all computers on the network). The speaker talks, the audience listens. But the speaker does not know who listens and who doesn't. There is no direct "connection" between the speaker and each member of the audience. Each person in the audience can shout something at the speaker and the entire audience will hear what he says, including the speaker.

**UDP Directed:** A speaker addresses one single person in the audience and all others cover their ears. The speaker will however hear everyone in the audience.

**TCP:** Call someone on the phone. Your navigation software or MPXConfig3 calls the MiniPlex-3 to send and receive navigation data and configuration commands respectively. But the MiniPlex-3 can answer only one phone call at a time.

## UDP Broadcast

NMEA sentences are transmitted on the network as UDP messages to the *broadcast* address. Every device on the network will receive these messages. At the same time, any device on the network can send data to the MiniPlex-3, either to its IP address (directed) or as a broadcast. UDP Broadcast has the following properties:

- Every device on the network will receive NMEA data from the MiniPlex-3.
- Every device on the network can send NMEA data to the MiniPlex-3.
- Other MiniPlex-3Es on the same network will also receive each other's data. It is therefore possible to send NMEA data over the network from one NMEA device to another. Care should be taken to prevent buffer overflows by selectively routing the desired NMEA data to an NMEA output at the receiving end and blocking unwanted NMEA data.
- Routers do not pass UDP Broadcasts from one network to another, so this mode can only be used on one physical network.
- Delivery of NMEA data is not guaranteed, messages can be lost.
- Wi-Fi routers often assign a low priority to UDP broadcasts, resulting in dropped messages. Typically, up to 5% of the messages gets lost.

To be able to receive UDP on a specific port number, 10110 in our case, an application needs to setup a UDP connection and *bind* this connection to the port number. Operating systems generally allow only one application to bind to a port number. This implies that while UDP broadcasts reach every single *device* in a network, only one application on each device can receive these broadcasts. It is therefore not possible to run navigation software and MPXConfig3 simultaneously on the same computer.

## UDP Directed

When using directed UDP, data is transmitted on the network as UDP messages to a specific IP address. Only one device with a matching IP address will receive these messages. The advantage is that directed UDP travels across routers and networks and can therefore also be used to send NMEA data over the Internet. Any device on the network can send data to the MiniPlex-3 either to its IP address (directed) or as a broadcast. Directed UDP has the following properties:

- Travels across routers/networks and the Internet.
- Higher chance of delivery than UDP broadcast.
- Every computer on the network can send NMEA data to the MiniPlex-3.
- Only one computer can receive NMEA data from the MiniPlex-3.
- Delivery of NMEA data is not guaranteed, messages can be lost.

## TCP

When using TCP, an application opens an exclusive connection with the MiniPlex. The MiniPlex-3 is the TCP server, the application is the TCP client.

The TCP protocol is reliable and guarantees delivery of data. Data is acknowledged by the receiver and retransmitted if data is lost on its way to the receiver. A TCP connection is bi-directional, so the application that opens the connection can both receive and transmit data from/to the MiniPlex-3.

Both the MiniPlex-3E and the MiniPlex-3Wi are limited to *one single TCP connection* at a time.

TCP has the following properties:

- Travels across routers/networks and the Internet.
- Only one computer or similar device may communicate with the MiniPlex-3.
- Reliable connection. Lost messages are automatically retransmitted.

Although TCP might seem the best option from the above, it is favourable to use UDP because NMEA 0183 and NMEA 2000 are also broadcast protocols without any form of acknowledgement of received data. Data is simply transmitted periodically, and a missing message is usually no problem because data is repeated.

Also, the TCP protocol enforces retransmissions on a bad (WiFi!) connection. This can cause delays in data delivery and result in "outdated" data.

# NMEA 0183 Ports

---

The NMEA 0183 ports are the inputs/listener ports and outputs/talker ports of the MiniPlex-3, which connect to NMEA 0183 ports on navigation instruments, chart plotters etc. There are many interpretations and variations of NMEA 0183 ports, so we'll explain a few things first.

## NMEA 0183 Signals

Although the NMEA 0183 standard specifies the signal names, voltage levels and connection methods very clearly, the reality is far from this ideal world.

The most important property of an NMEA 0183 port is that the connections or wires are labelled "A" and "B" and that it uses differential signalling according to the RS422 standard. This means that data is transmitted on both wires, using opposite voltages. Both wires are driven between 5V and 0V and opposite of each other: when wire A is at 5V, wire B is at 0V and vice versa. The advantage of this type of signalling is its resilience against electrical interference.

NMEA A and B are often labelled as *NMEA +* and *NMEA -* respectively. Other commonly used names for outputs are *TX+/TX-*, *Out+/Out-* or *Out ve+/ve-*. Inputs are often labelled as *RX+/RX-*, *In+/In-* or *In ve+/ve-*.

In all these cases, a "+" terminal connects to an A terminal of the MiniPlex-3 and a "-" terminal connects to a B terminal of the MiniPlex-3.

Some devices even have NMEA + and NMEA - labelled the wrong way. It is perfectly safe to swap the wires in case no signal is received.

Things get confusing when manufacturers don't follow the NMEA 0183 standard, which is very often the case. Many devices have an NMEA 0183 interface, which is electrically speaking an RS232 interface. The only resemblance with the NMEA 0183 standard is the data format. Electrically, they operate on different voltages and the signal names are different. The signal names used differ wildly and often lead to confusion. When a device has a NMEA input with connections *Data In* and *Data Return*, it is often not clear whether this input is galvanically isolated or if *Data Return* is simply another name for *Signal ground* or even a *power ground*.

Instead of being fully compatible with the NMEA 0183 standard, many devices use single-ended inputs and outputs, where data is transmitted or received through one single wire while the power ground provides the return path. Single-ended devices often use connection names like *TX* and *Gnd* (transmit and ground) for an NMEA 0183 output while *RX* and *Gnd* (receive and ground) are being used for an NMEA input. Also used are *Data Out*, *Data In* and *Signal Ground*. Mix these with standard NMEA connections and confusion is imminent!

The MiniPlex-3 eliminates the confusion through its galvanically isolated NMEA inputs and outputs. Because of this isolation, a ground reference no longer exists. Both the A and B signals of every NMEA 0183 port of a MiniPlex-3 are completely "floating" and can be connected to any type of NMEA 0183 input or output of a device, whether they are differential or single-ended, RS422 or RS232.

## NMEA 0183 Inputs

The MiniPlex-3 has four NMEA 0183 inputs, called *In1* to *In4*. Each input should be connected to one output only. These inputs are galvanically isolated from the MiniPlex-3, as specified by the NMEA 0183 standard. Because of this isolation, it is safe to connect an input to any kind of output: NMEA/RS422 or RS232. In case of an RS232 output, its *Ground* connection must be connected to the B terminal of the NMEA input.

The default communication speed of the NMEA 0183 inputs is 4800 Baud. Higher speeds up to 115200 Baud can be selected.

***The speed setting of NMEA In4 is linked to the speed setting of NMEA Out1!  
When you change the speed of In4, the speed of Out1 will follow.***

## NMEA 0183 Outputs

The MiniPlex-3 has two NMEA 0183 outputs called *Out1* and *Out2*. Each output can drive up to four NMEA 0183 inputs. These outputs are galvanically isolated from the MiniPlex-3. Because of this isolation, it is safe to connect an output to any kind of input: NMEA/RS422 or RS232. In case of an RS232 input, its *Ground* connection must be connected to the B terminal of the NMEA output.

The default communication speed of the NMEA 0183 outputs is 4800 Baud. Higher speeds up to 115200 Baud can be selected.

**The speed setting of NMEA Out1 is linked to the speed setting of NMEA In4.  
When you change the speed of Out1, the speed of In4 will follow.**

The "C" terminal of NMEA Out2 is not used for NMEA 0183 and should always be left unconnected.

## Connecting to other devices

Figure 36 shows how instruments with different types of NMEA 0183 ports (NMEA/RS422 and RS232) can be connected to the NMEA 0183 inputs and outputs of the MiniPlex-3. Note that it is perfectly safe to connect an NMEA 0183 output of the MiniPlex-3 to more than one receiving device, even if their inputs are of a different type.

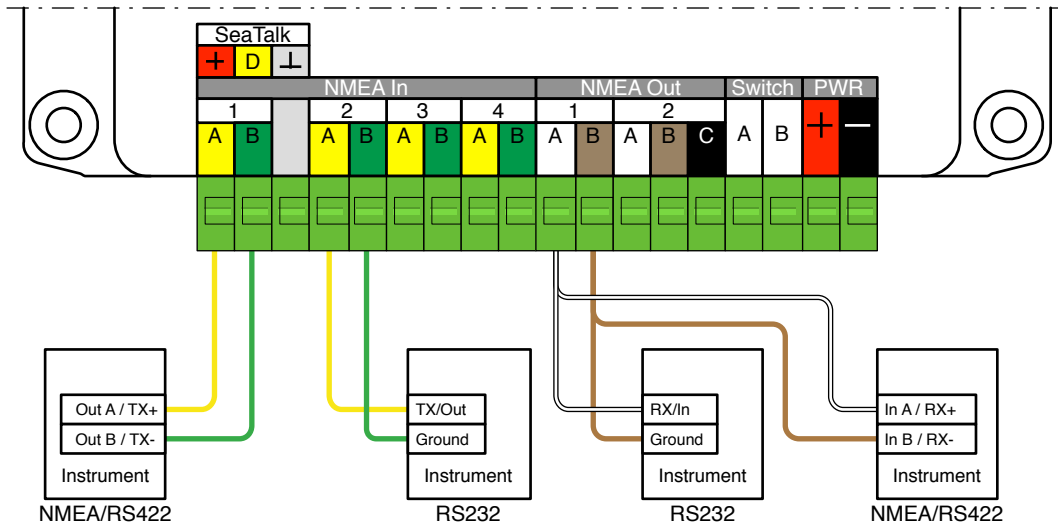


Figure 36

## Combining Ports

It is sometimes necessary to combine an NMEA 0183 input and an output of the MiniPlex-3 to connect to another device such as a GPS with an RS232 port.

An RS232 port is a single-ended port and provides three connections: *TxD* (data out), *RxD* (data in) and *Ground*. Figure 37 shows how such a GPS should be connected, preferably to In4 and Out1 because both ports always have the same communication speed. The Ground connection may also be the power ground of the GPS.

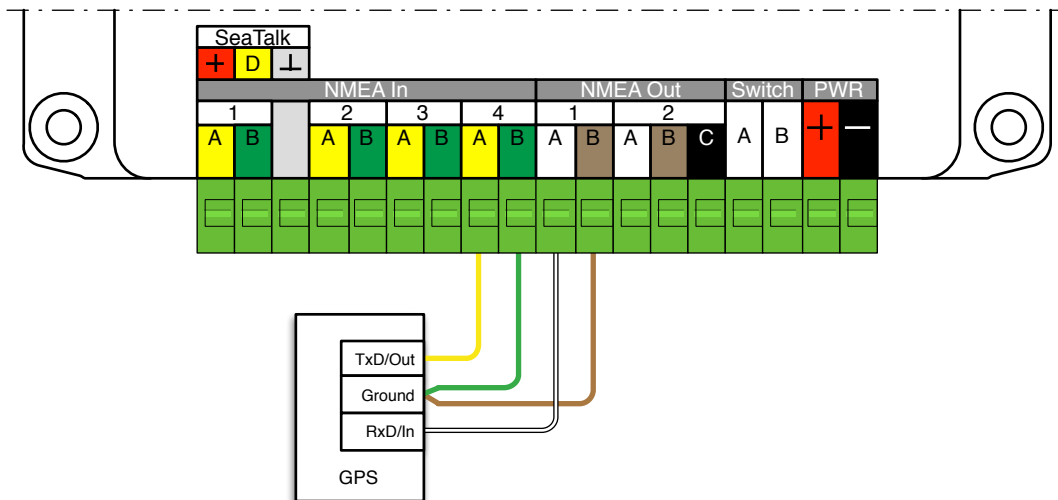


Figure 37

# SeaTalk

Port NMEA In1 of the MiniPlex-3 can be switched from NMEA to SeaTalk\* mode. Thus, NMEA In1 becomes a fully bi-directional SeaTalk port, capable of *receiving and transmitting* SeaTalk data. This SeaTalk port can be connected to an existing SeaTalk network as shown in Figure 38.

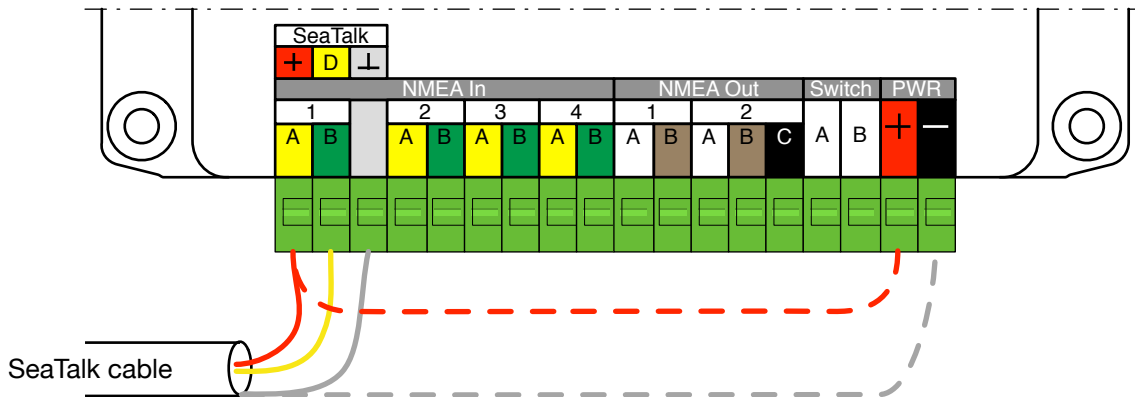


Figure 38

The SeaTalk port is galvanically isolated, so the MiniPlex-3 will not receive power from the SeaTalk network. If required, the MiniPlex-3 can be powered from the SeaTalk network by adding two wires, indicated by the dashed red and grey lines in Figure 38. It is recommended though to power the MiniPlex-3 separately.

The MiniPlex-3 can replace the Raymarine PC/SeaTalk/NMEA Interface Box (E85001). All SeaTalk datagrams required for navigation purposes, including controlling an autopilot, are supported.

On MiniPlex-3 N2K models, data is also converted between SeaTalk and NMEA 2000/SeaTalk<sup>NG</sup> and the MiniPlex-3 can replace the Raymarine SeaTalk-STNG converter (E22158) if In1 is set to **SeaTalk-STNG**.

## Conversions from SeaTalk to NMEA

All SeaTalk data is converted automatically to NMEA 0183 and NMEA 2000. The routing table can be used to selectively route converted data to the NMEA 0183 outputs and the host port. See the **Technical Reference** starting on page 79 for an overview of supported SeaTalk datagrams.

## Conversions from NMEA 0183/2000 to SeaTalk

No NMEA 0183 or NMEA 2000 data is converted to SeaTalk by default, because there can be multiple NMEA 0183 or NMEA 2000 sources of the same data, whereas on a SeaTalk network only one single source of a particular type of data may exist.

It is therefore always required to use the routing table to define which NMEA data is converted to SeaTalk. When In1 is set to SeaTalk mode, the **ST** column in the **Outputs**-section of the routing table will be enabled and a checkbox in that column enables the conversion of the NMEA sentence of that entry to SeaTalk.

### Example

The example in Figure 39 shows the required routing entry to let a navigation application control an autopilot connected through SeaTalk. The GPRMB sentence contains all the parameters the autopilot requires.

	Inputs						Outputs						
	ST	2	3	4	C	H	Sentence	Div	1	2	ST	PC	W
1						✓	GPRMB				✓		

Figure 39

\* SeaTalk is not to be confused with SeaTalk<sup>NG</sup>, which is Raymarine's own version of NMEA 2000. The original SeaTalk is also referred to as SeaTalk<sup>1</sup>.

# NMEA 2000 Port

MiniPlex-3 multiplexers with an NMEA 2000 port (the “-N2K” models) can be connected to an NMEA 2000 network or *backbone*. The MiniPlex-3 can also be connected to a SeaTalk<sup>NG</sup> network using a Raymarine SeaTalk<sup>NG</sup> to DeviceNet cable (no. A06075). SeaTalk<sup>NG</sup> is compatible with NMEA 2000.

MiniPlex-3xx-N2K multiplexers are NMEA 2000 Certified devices and fully compliant with NMEA 2000 V2.000. Some NMEA 2000 V1.3xx features are implemented to improve interoperability with NMEA 2000 V1.3xx compliant devices.

NMEA 2000 messages, called PGNs, are converted into NMEA 0183 sentences and vice-versa. No NMEA 2000 data is transmitted on the Host ports and WiFi interface simply because there is no standard defined for this.

## Devices and Virtual Devices

Every device on an NMEA 2000 network announces itself on start-up and when interrogated by another device. This way each device knows about other devices on the network, allowing it to select a specific device as data source.

This requires that every device announces itself by a unique number called a *NAME*.

One physical device can announce itself on the NMEA 2000 network multiple times, using a unique *NAME* for every announcement. These devices are called *virtual devices*. This way a single physical device shows up on the network as multiple virtual devices.

The MiniPlex-3 uses six virtual devices: one *Main* device, and one device for each NMEA 0183/SeaTalk input and the conversion results. Thus, if a MiniPlex-3USB-N2K is connected to a NMEA 2000 network, it will appear in the Device List of another device as shown below:

Model ID	Serial No.
MiniPlex-3USB-N2K - Main	39001234
MiniPlex-3USB-N2K - In1	39001234
MiniPlex-3USB-N2K - In2	39001234
MiniPlex-3USB-N2K - In3	39001234
MiniPlex-3USB-N2K - In4	39001234
MiniPlex-3USB-N2K - Cnv	39001234

Each of these devices transmits data that is received on the corresponding NMEA 0183 input and can be selected as a data source. This allows a specific selection of data if two inputs of the MiniPlex-3 receive the same type of data.

For example, if a GPS is connected to In1 and an AIS transponder to In2, there will be two sources of GPS location on the NMEA 2000 network: “MiniPlex-3USB-N2K - In1” and “MiniPlex-3USB-N2K - In2”. On a receiving device, one of both inputs can thus be selecting as data source for GPS location.

The *Main* device transmits data received on the Host port (USB, Ethernet, WiFi) and is the only device transmitting system-related data like System Time (PGN 126992) or the LEN value.

The virtual device ending on *Cnv* transmits NMEA 0183 conversion results.

## Connecting to an NMEA 2000 network

The MiniPlex-3 is equipped with a standard Micro-C style male connector. Connect the MiniPlex-3 with a spur- or drop-cable and a T-piece to the NMEA 2000 backbone.

NMEA 2000 networks must always consist of a powered backbone with terminators, to which the MiniPlex-3 and other devices are connected. It is not possible to simply connect two NMEA 2000 devices directly together. An NMEA 2000 backbone needs to be powered and terminated on both ends.

Even if a MiniPlex-3 N2K is the only NMEA 2000 device to connect NMEA 0183 devices to a new NMEA 2000 enabled plotter, a minimal NMEA 2000 network needs to be built as shown in Figure 40.

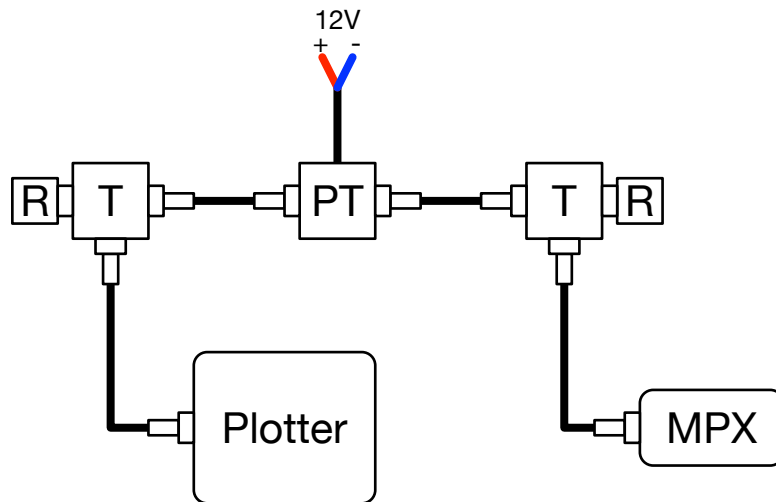


Figure 40

Besides cables, this setup requires the following components:

- PT: Power Tee, supplies power to the NMEA 2000 network
- T: Tee for a drop cable to a device
- R: Terminator resistor (2x!)



# Protocol Conversions

The MiniPlex-3 converts navigation data between all three supported protocols – NMEA 0183, NMEA 2000 and SeaTalk – and in all directions.

There are subtle differences however in the way each of these conversions work. Knowing these differences can be of great help when adding entries to the routing table.

The diagram below (Figure 41) shows how the data flows from one protocol to another. Since each protocol groups parameters differently, there is no one-on-one relationship between NMEA 0183 sentences, NMEA 2000 PGNs and SeaTalk datagrams. Every single parameter like a position, COG, SOG etc. is therefore decoded from the received sentences, PGNs and datagrams and stored in a database first.

From this database, the parameters are retrieved and grouped to build new sentences, PGNs and datagrams. Their route is determined, and they are transmitted again.

See the **Technical Reference** starting on page 79 for an overview of all converted NMEA 0183 sentences, NMEA 2000 PGNs and SeaTalk datagrams.

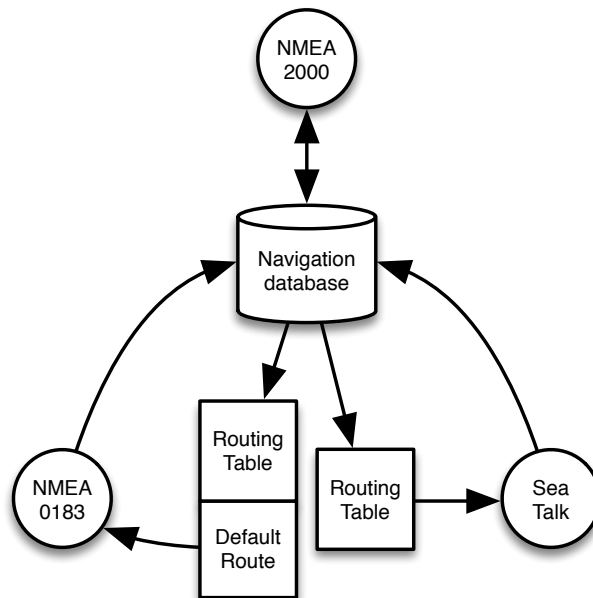


Figure 41

## NMEA 0183 and SeaTalk to NMEA 2000

This conversion is very straightforward: Every received NMEA 0183 sentence or SeaTalk datagram is converted to NMEA 2000. No routing is applied since every NMEA 2000 receiving device has a means of selecting a data source.

Similar data from two or more NMEA 0183 or SeaTalk inputs on the MiniPlex-3 appears on the NMEA 2000 network as originating from different virtual devices.

## NMEA 2000 to NMEA 0183

This conversion is controlled by the routing table or the **Default Route\*** settings. NMEA 2000 data is converted into NMEA 0183 sentences, which can then be routed to any NMEA 0183 output or host interface as desired. If no match is found in the routing table or when the routing table is empty, the **Default Route** is applied. This is explained in detail in chapter **Routing** on page 62.

## NMEA 2000 and NMEA 0183 to SeaTalk

These conversions are fully controlled by the routing table. None of the received NMEA 0183 or NMEA 2000 data is converted and routed to SeaTalk by default. Each sentence that must be routed/converted to SeaTalk requires an entry in the routing table.

---

\* The Default Route is the route applied to a sentence when no match is found in the routing table. The Default Route is set by checkboxes in section **Input Settings** on the **NMEA Inputs/Outputs** tab.

## SeaTalk to NMEA 0183

This conversion is controlled by the routing table or the **Default Route**\* settings. SeaTalk data is converted into NMEA 0183 sentences, which can then be routed to any NMEA 0183 output or host interface as desired. If no match is found in the routing table or when the routing table is empty, the **Default Route** is applied. This is explained in detail in chapter **Routing** on page 62.

## NMEA 2000 and SeaTalk in the Routing Table

In NMEA 0183 sentences, the *address* field is the first field that follows the "\$" or the "!" delimiter. Since these address fields are fairly readable for human beings, they are also used to identify SeaTalk and NMEA 2000 data in the routing table of the MiniPlex-3, as opposed to NMEA 2000 PGN numbers or SeaTalk datagram numbers.

This address field consists of five characters: the first two are the *Talker ID* and the last three characters are the *Sentence Formatter*. The Talker ID defines the origin of a sentence whereas the Sentence Formatter defines the type of data the sentence contains.

A \$GPRMC sentence for instance defines "GP" as its source (a generic GPS) and "RMC" as a sentence containing a full position fix, its time and date and the current course and speed over ground.

Similarly, a \$HEHDT sentence define "HE" as its source (a heading device) and "HDT" as a sentence containing a true heading. A \$GPHDT sentence defines a true heading originating from a GPS compass.

The **Technical Reference** starting on page 79 contains a list of commonly used sentence formatters and talker IDs.

## Autopilot Control

Autopilot control data\* is converted using a fixed priority from high to low: NMEA 2000 > NMEA 0183 > SeaTalk.

When autopilot control data is received on one protocol, it will be automatically converted to both other protocols using the same rules as used for other navigation data: SeaTalk and NMEA 0183 are always converted to NMEA 2000 whereas NMEA 2000 to NMEA 0183 and/or SeaTalk is governed by routing rules.

The big difference is the prioritization of this data from multiple sources: when an NMEA 0183 connected plotter and an NMEA 2000 connected plotter both have an activated route to Goto, then only the data from the plotter on NMEA 2000 is converted to NMEA 0183.

Similarly, a plotter on SeaTalk doesn't get its autopilot control data converted when the same data is being received from NMEA 0183 or NMEA 2000.

The idea behind this is that only one plotter at a time can control an autopilot. After all, there can be only one captain on a ship!

Multiple sources of autopilot control data on NMEA 2000 are prioritized by Source Address (SA) or Device Instance (DI). Prioritization by DI only works when the DI's of *all sources* are non-zero. In both cases (SA or DI), a lower value has higher priority.

Since the DI of a device can be changed, navigation sources can be prioritized by the user.

---

\* Autopilot control data is contained in NMEA 2000 PGN's 129283, 129284 and 129285, NMEA 0183 sentences APB, BWC, BWR, RMB, WCV and XTE, and in SeaTalk datagrams 82, 85, A1 and A2.

# Power Supply

---

The MiniPlex-3 must always be powered through its PWR (+ & -) terminals with a DC voltage between 8 and 35V. The power supply connection is protected against reversed polarity.

***The MiniPlex-3 does not receive power from the USB port, the SeaTalk port or the NMEA 2000 network!***

# Indicators

---

The LEDs on the MiniPlex provide information about the status and operation of the MiniPlex-3. When the MiniPlex-3 powers up, all LEDs flash once.

Green (NMEA 2000): This LED flashes when an NMEA 2000 PGN is received.

Green (NMEA 0183): This LED flashes upon reception of a valid NMEA sentence. During a firmware update, this LED flashes upon reception of a firmware block.

Yellow (WiFi models): This LED is lit when the WiFi interface is up and running.

Red (Overflow): This LED flashes on a NMEA output buffer overflow, indicating that NMEA sentence will be lost due to bandwidth limitations.

During start-up, this LED is lit for a short moment while the MiniPlex-3 checks if firmware is loaded or if a firmware update is initiated by MPXConfig3. If firmware is found, the LED goes off. When the LED stays lit, no firmware was found. During a firmware update, this LED is on. When the update is completed, the LED goes off. If the LED stays on after a firmware update error, it indicates that no valid firmware is present.

# Data Throughput

---

A MiniPlex-3 can combine several streams of data into one, but it cannot perform magic. It is obvious that if a MiniPlex-3 combines NMEA 0183 sentences from multiple sources, the total number of sentences that must be transmitted is the sum all sentences received from each source. So, any output port that needs to transmit these sentences must have sufficient bandwidth to do so.

The Host ports are all high speed and fast enough to transport all possible NMEA 0183 and NMEA 2000 data that is being received to a connected host. The NMEA 0183 outputs however are not!

The standard communication speed of NMEA 0183 is 4800 Baud or bits per second, which equals 480 characters per second.

When using a MiniPlex-3 to combine sentences from several sources, it is easy to create a situation in which more data is being received than can be transmitted through an NMEA 0183 output because of the speed limitations of that output. This will inevitably lead to an overflow of the output buffers inside the MiniPlex-3.

Each output buffer can hold 512 bytes of data, which is slightly more than 1 second worth of data at 4800 Baud.

When a received sentence is routed to Out1 or Out2, it is stored in the corresponding output buffer, from where it is transmitted to the physical output port. Because of the limited size of this buffer, it is obvious that it will overflow if the buffer is filled faster than it is emptied. While it might seem a good solution to increase the buffer size to prevent overflows, it is not. It only delays the point at which this larger buffer is filled up too. It just takes a longer time.

With NMEA 0183, sentences are usually transmitted once per second (exceptions exist). It therefore makes sense to limit the size of the buffers to store one second worth of data. This also limits the delay of transmitted sentences to one second max. If more sentences need to be transmitted than a buffer can hold, they are simply no longer being added to that buffer.

Note that sentences are never dropped when being sent to a host port. The speed of a host port is 100 times higher than an NMEA 0183 port at 4800 Baud and two times higher than the speed of NMEA 2000, so it will never pose any throughput limitation. If a sentence is routed to a host port and an NMEA 0183 output, and the buffer of that output is full, that sentence will still be routed to the host port.

A buffer overflow event is signalled by the red LED on the MiniPlex and by the overflow indicators in MPXConfig3.

All of the above may raise the question if it is possible at all to combine data from four inputs at 4800 Baud and still transmit this on an output at 4800 Baud.

It depends...

The standard speed of an NMEA 0183 port is 4800 Baud or bits per second, representing 480 characters per second (10 bits are needed for one character). It might seem obvious that combining four NMEA 0183 streams at 4800 baud would require the output to be operating at  $4 \times 4800 = 19200$  Baud to prevent any data loss.

In general, devices do not send a continuous stream of NMEA sentences. A wind instrument for instance, typically transmits one \$WIMWV sentence per second and the length of this sentence will be 30 characters at most. Thus, the occupied bandwidth of this device is 30 char/s, leaving room (450 char/s) for sentences from other devices.

On the other hand, a GPS can transmit \$GPRMB, \$GPRMC, \$GPGLL, \$GPGGA, \$GPVTG, \$GPZDA, \$GPGSA and \$GPGSV (3x). This is a burst of 10 sentences which already exceeds the bandwidth of 480 char/s when transmitted every second. Such a GPS would typically transmit these sentences once every two seconds.

So, it totally depends on the kind of sentences received - their length and frequency - whether they can be combined and transmitted on an output operating at 4800 Baud. Simply increasing the speed of that output is often not possible because the receiving device might not have a means of increasing the speed of its input port.

There are several ways to resolve buffer overflow and loss of sentences:

1. Configure the instruments connected to the inputs of the MiniPlex-3 to send less sentences or at a lower rate. GPS receivers usually offer a selection of sentences to be transmitted.
2. Use the routing table of the MiniPlex-3 to block unwanted sentences.
3. For sentences that should not be blocked, setting a divisor in the routing table may reduce their rate or frequency. The output of a compass at rate of 10Hz can thus be throttled down to a lower rate.
4. Increase the speed of the NMEA 0183 output that suffers from overflows. This will only work when the receiving equipment also supports higher communication speeds. Connected ports must always match their communication speed (Baud rate).

In any case: a blink of the red LED means loss of data. If that occurs once every few seconds, it might not be a problem at all. But a blink every second or even faster means that one or more sentences will be lost all the time.

# MPXConfig3

The MiniPlex-3 multiplexer is configured with a tool called *MPXConfig3*. This tool can be found on the accompanying CD and can also be downloaded from the Downloads page on our website. It is available for Windows and macOS.

There is no installer for this tool. It can be started directly from the CD or from the downloaded ZIP file or disk image. It is however a good practise to copy the program to a suitable folder on your hard-disk and create a shortcut on your desktop.

The MiniPlex-3 itself is configured with proprietary NMEA 0183 sentences. MPXConfig3 transmits these sentences to the MiniPlex-3 immediately when you change a setting.

## Settings do not have to be stored explicitly except for the routing table.

All configuration settings are stored in non-volatile memory of the MiniPlex-3. These settings are retained without power supply.

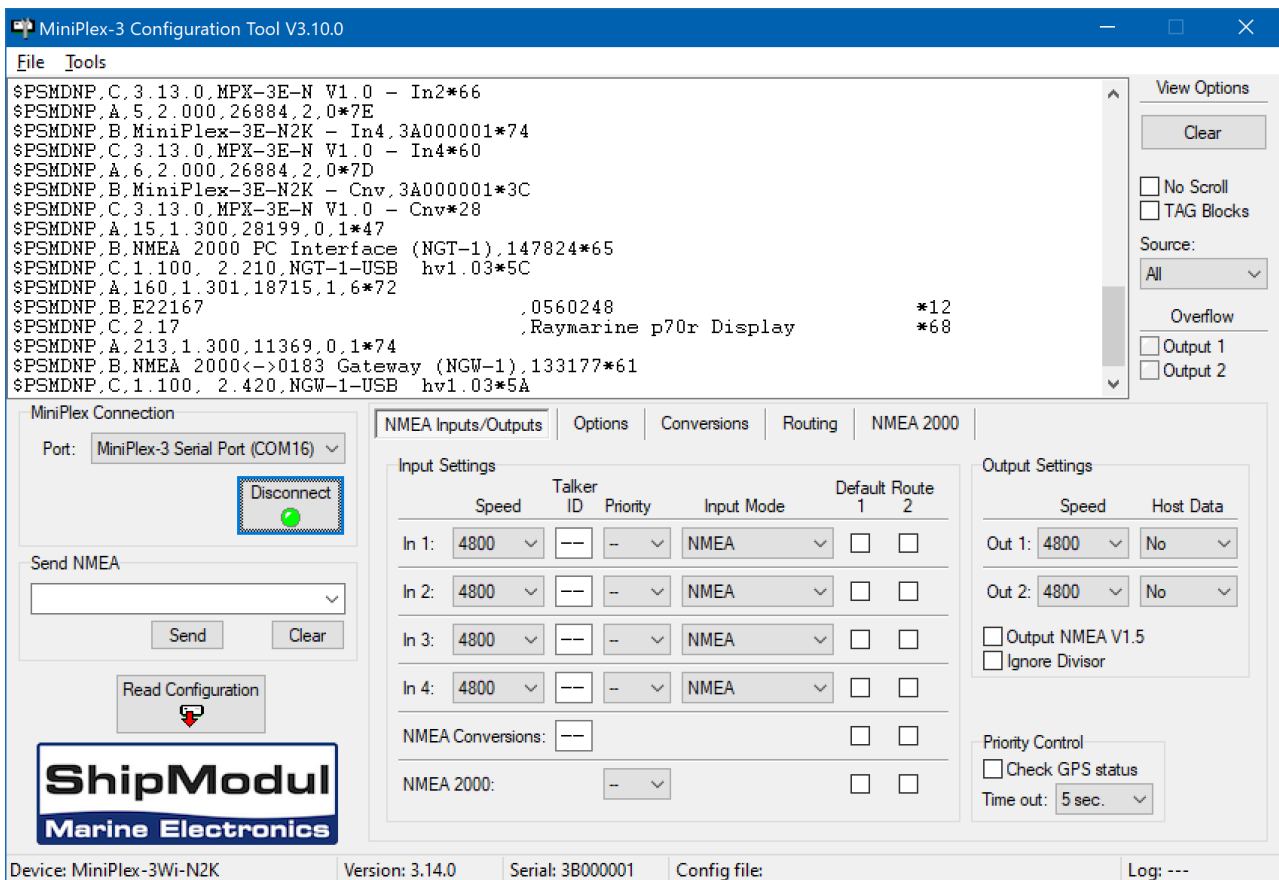


Figure 42: The MPXConfig3 main window

The window of MPXConfig3 is divided into four sections from top to bottom: the menu, the NMEA viewer and its controls to the right of it, the controls to configure MiniPlex-3 on the lower half of the window, and the status bar.

The NMEA viewer shows the NMEA 0183 sentences transmitted by the MiniPlex-3 to its host port(s). These sentences include NMEA sentences received on its inputs (NMEA 0183, SeaTalk and NMEA 2000) as well as status messages generated by the MiniPlex-3 (sentences starting with \$PSMD).

The controls on the tabbed pages determine the operation and configuration of the MiniPlex-3 and are grouped according to their function.

The status bar shows the name or type of the connected MiniPlex-3, its firmware version number and its serial number. This information is useful when you require technical support. Also shown are the optionally loaded or saved configuration file and a line counter when a log file is being created.

## Menu

The menu contains two sub-menus: **File** and **Tools**. Some options of these menus are disabled or not visible, depending on the type of connected MiniPlex-3 or on the status of the connection.

The **File** menu offers the following choices:

<b>Log NMEA...</b>	Start writing NMEA data to a log file. A log file is a plain text file and can be read by any text editor to examine the data. The <b>Log</b> counter on the status bar will show the number of NMEA sentences that are currently written to the log file.
<b>Log Diagnostic Info...</b>	Start writing to a log file with the addition of a time stamp at the beginning of each NMEA sentence.
<b>Stop Log</b>	Stop writing NMEA data to the current log file and close that file.
<b>Load Configuration...</b>	Load a previously saved configuration file into the MiniPlex-3. The current configuration will be overwritten. A configuration file stores all settings made with MPXConfig3.
<b>Save Configuration</b>	Save the current configuration to a previously file.
<b>Save Configuration As...</b>	Save the current configuration to a new file.
<b>Update MiniPlex Firmware...</b>	Load new a firmware file into the MiniPlex-3.
<b>Exit</b>	This exits MPXConfig3.

The **Tools** menu offers the following choices:

<b>Show Statistics</b>	Opens a window showing bars that indicate how much data is stored in the database, the NMEA 2000 queues and the processing time for conversions.
<b>MiniPlex-3E</b>	Opens a sub-menu for the MiniPlex-3E (only present when TCP or UDP is selected with the <b>Port</b> selector).
<b>MiniPlex-3Wi</b>	Opens a sub-menu for the MiniPlex-3Wi (only present when connected to a MiniPlex-3Wi(-N2K) via USB).
<b>Restore Factory Settings...</b>	Restore the MiniPlex-3 to its default factory configuration.
<b>Automatic Update</b>	Update the firmware in the MiniPlex with the firmware embedded in MPXConfig3. This is the minimum required firmware version compatible with this version of MPXConfig3.
<b>About</b>	Show a window with version information. If you double-click on the multiplexer icon in this window, MPXConfig3 will erase all settings stored in the Windows registry and exit. Only settings like port number and IP address are stored in the registry. No multiplexer settings are stored there.

The **MiniPlex-3E** sub-menu is only present when TCP or UDP is selected with the Port selector and offers the following choices:

<b>Network Setup...</b>	Open a window to setup the network parameters of a MiniPlex-3E.
<b>Search...</b>	Search the network for MiniPlex-3Es. A window is shown with search results.
<b>Assign IP...</b>	Assign an IP address to a MiniPlex-3E using its MAC address.

***Please note that this sub-menu is for the MiniPlex-3E(-N2K) only. It does not change any network settings of the MiniPlex-3Wi(-N2K) nor does it find any MiniPlex-3Wi(-N2K)!***

The **MiniPlex-3Wi** sub-menu is only present when connected to a MiniPlex-3Wi(-N2K) via USB and offers the following choices:

<b>Setup WiFi Parameters...</b>	Open a window to setup the WiFi parameters of a MiniPlex-3Wi.
<b>Initialize WiFi Interface...</b>	Initializes the WiFi interface to our factory settings.

## MiniPlex Connection

Before being able to configure the MiniPlex-3, MPXConfig3 must be connected to the MiniPlex-3. Use the **Port** selector to select either the COM port of the MiniPlex-3 or **TCP** or **UDP** when using a network connection. Do not use **UDP All** for configuration purposes.

### COM Port

When using a MiniPlex-3 with a USB port, select the COM port that was created after installing the driver. Click on the **Connect** button to initiate the connection. MPXConfig3 will immediately read the current configuration from the MiniPlex-3.

Note that only one application at a time can connect to a COM port. You cannot connect MPXConfig3 and a navigation application at the same time. The only exception is when using a MiniPlex-3Wi: while one application connects using a network connection, a second application can connect using the USB/COM port.

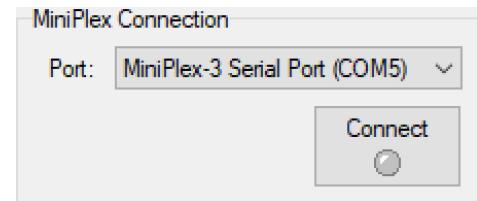


Figure 43

### Network

When connecting to a MiniPlex-3E, set the **Port** selector to **UDP** and follow the instructions in chapter **Ethernet Interface** on page 20 to setup the network parameters of the MiniPlex-3E.

When this setup is completed, select **TCP** or **UDP** to match the protocol set in **Network Settings**.

Enter the IP address of the MiniPlex-3E in the **Host** field or use menu **Tools > MiniPlex-3E > Search** to find the MiniPlex-3E on your network.

When connecting to the access point of a MiniPlex-3Wi, select either **TCP** or **UDP**, enter IP address 10.0.0.1 in the **Host** field.

The **Port** field already contains port number 10110, which is the standard NMEA 0183 port value. When left blank, port 10110 is automatically assumed.

Click on the Connect button to initiate the connection. MPXConfig3 will immediately read the current configuration from the MiniPlex-3.

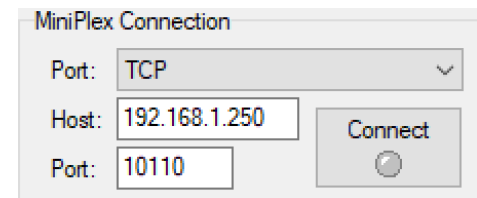


Figure 44

### UDP All

Besides **TCP** and **UDP**, the **Port** selector also contains **UDP All**. This connection method will show NMEA 0183 data from all devices that is broadcast on the network. No configuration will be read, and all configuration controls will be shown inactive.

The **Host** field must contain a valid IP address of a MiniPlex-3. When a connection is established, MPXConfig3 will request the \$PSMDVER sentence from that MiniPlex-3. If the **Host** field contains the network broadcast address (e.g. 192.168.1.255), the \$PSMDVER sentences of all MiniPlex-3 devices on the network are returned.

Using the **Send NMEA** field, a command can be sent to one or all MiniPlex-3 devices, depending on whether the **Host** field contains a host IP address or a broadcast IP address.

## Reading the configuration

When the **Connect** button is clicked, MPXConfig3 opens a connection to the MiniPlex-3 and automatically retrieves its current configuration. The tabbed configuration pages will be enabled upon success and the LED on the **Connect** button will become green. Depending on the type and/or configuration of the connected MiniPlex-3, the NMEA 2000, Modbus and MOB tabs may or may not be visible.

Error messages may appear when attempting to connect. These messages may be helpful in determining the problem:

#### Multiplexer does not respond

You have selected the wrong COM port or entered the wrong IP address in case of a UDP connection.

#### Unable to open port COMx, the port may be in use

The COM port you are trying to open, is already being used by another application.

#### Connect timed out

You have entered the wrong IP address when trying to open a TCP connection.

### Socket Error # 10061, Connection refused

The IP address is correct but the MiniPlex-3E refused the TCP connection. This happens when another application has already opened a TCP connection or when the MiniPlex-3E was configured for UDP.

### Could not bind socket. Address and port are already in use

Another application has already used port 10110 for UDP. Using UDP requires an application to *bind* to a port number to receive all UDP traffic on that port number. A port number can only be bound to one application at a time.

If you exit MPXConfig3, the connection settings will be saved and reloaded when MPXConfig3 is started again. When you select a different port while being connected, MPXConfig3 closes the current connection.

You can also force MPXConfig3 to retrieve the configuration from the MiniPlex-3 with the **Read Configuration** button (Figure 45).

## Send NMEA

MPXConfig3 allows manual entry of arbitrary NMEA sentences for testing, configuration etc.

Type the desired NMEA sentence in the edit box and click on the **Send** button or press the **Enter** key on your keyboard to transmit the sentence to the MiniPlex-3. MPXConfig3 will keep a history of entered sentences/commands. These can be selected by clicking on the small arrow on the right side of the input field. A selected sentence can be transmitted again by clicking on the **Send** button or pressing the **Enter** key. It can also be edited prior to transmitting. The **Clear** button clears the history.

Preceding the NMEA sentence with a "\$" is optional, MPXConfig3 will add it for you if omitted. The input is case sensitive, so whatever you type will be transmitted to the MiniPlex-3 verbatim. Since all standard NMEA sentences are uppercase, you must enter them as uppercase.

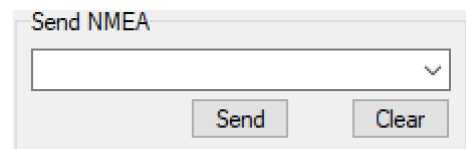


Figure 45

Any sentence starting with \$PSMD will be recognized by the MiniPlex-3 as a configuration command and will be processed as such. Any other sentence will be routed to any NMEA output which has its Host Data set to Yes or Override. Routes specified in the routing table will be applied too. This allows specific configuration sentences to be transmitted to connected devices.

This feature can also be used to test if an NMEA input or output is functional: Connect an NMEA output to an input, set Host Data for that output to Yes and type an arbitrary text of at least 6 characters in the **Send NMEA** field. This text should appear in the NMEA viewer when you click on the Send button or press the enter key.

## View Options

The NMEA Viewer area (Figure 46) offers a few controls that make observing NMEA data easier.

The NMEA viewer itself stores up to 100 sentences which can be scrolled back (disconnect first). These sentences can also be copied and pasted into another application (Windows only).

### Clear

This button clears the NMEA Viewer window.

### No Scroll

When this option is enabled, a list of received NMEA sentences will be displayed, which will refresh continuously when new sentences are received. This feature allows you to closely examine the types of sentences received from the connected instruments. Any proprietary NMEA sentences that are generated by the MiniPlex-3 are also listed. These sentences start with \$PSMD.

### Tag Blocks

This option shows any *TAG blocks* that precede a sentence. TAG blocks are enabled when MPXConfig3 is connected to the MiniPlex-3. MPXConfig3 uses these TAG blocks to identify the source of a sentence (NMEA 0183 input or NMEA 2000 Source Address) and to add a time stamp to each sentence.

When a device connected to the inputs of the MiniPlex-3 transmits TAG blocks, they will also be visible.

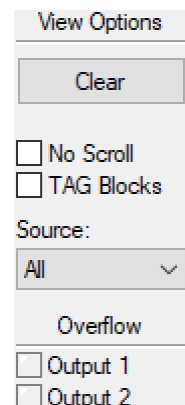


Figure 46



### **Source selector**

The Source selector allows you to selectively see sentences from one specific NMEA input of the MiniPlex-3, the NMEA 2000 network, conversion results or responses from the multiplexer itself.

### **Overflow**

The overflow indicators show which output buffer suffers from an overflow. See the chapter **Data Throughput** on page 43 for ways to prevent overflow situations with different instruments.

## NMEA Inputs/Outputs

This tab contains all settings dealing with inputs and outputs of the MiniPlex-3 and the default routing settings. Each setting is described in detail below.

Figure 47

### Input Settings

#### Speed

This sets the speed of each NMEA 0183 input. The default speed is 4800 Baud, which is the standard speed for navigation devices. The highest supported speed is 115200 Baud.

Some fluxgate or gyrocompasses operate at 9600 Baud or faster to accommodate the higher throughput of 20 headings per second or more. AIS receivers and transponders operate at 38400 Baud.

If you change the speed of In4, the speed of Out1 will be changed too. In4 and Out1 share the same communication port inside the MiniPlex-3 and therefore always have the same speed. Out1 is generally used to control an autopilot and should be left at 4800 Baud for this purpose.

If the **Input Mode** of In1 is set to **SeaTalk**, the speed setting for In1 is disabled and fixed to 4800 Baud, which is the standard speed on the SeaTalk network.

Care should be taken when inputs are set to higher speeds than the outputs which they are routed to. This can possibly lead to buffer overflows. See the chapter **Data Throughput** on page 43 for more information.

#### Talker ID

The MiniPlex-3 can change the *Talker ID* of received sentences. The first two characters of an NMEA sentence are the Talker ID of that sentence, indicating the source of the data being transmitted.

For instance, in an \$HEHDT sentence, the "HE" identifies the source of this true heading sentence as a gyro compass. In a \$GPHDT sentence, the "GP" identifies the source as a GPS based compass.

Similarly, a device with both a GPS receiver and a Galileo receiver has a Talker ID "GP" when the position is GPS based, "GA" when the position is Galileo based, and "GN" for a combined navigation position from both Galileo and GPS.

Changing the Talker ID of a sentence can be required for instance when using a GPS compass. Such a compass generally transmits the true heading as a \$GPHDT sentence. A receiving device or application might however require a true heading with Talker ID "HE". By entering "HE" in the **Talker ID** field of the input connected to the GPS compass, the received \$GPHDT sentence will be changed into \$HEHDT.

Setting a Talker ID can also be useful when similar devices are connected to the multiplexer while the navigation software must be able to distinguish between the data from these devices. A catamaran for instance could have a depth sounder in each hull, both transmitting \$SDDPT sentences to the navigation software. Setting the Talker ID for those inputs to "H1" and "H2" respectively would change these sentences into \$H1DPT and \$H2DPT, allowing the receiving software to recognise both depth readings separately.

Enter the Talker ID in the edit box of the desired input and press the Enter key to send the setting to the multiplexer. A Talker ID should have upper case characters and numbers only. See the **Technical Reference** section for an overview of the most commonly used Talker IDs.

When the Talker ID is changed, the background of the edit field turns yellow to indicate that the modified Talker ID has not yet been sent to the multiplexer. Pressing Enter will send all Talker IDs to the multiplexer and the background colour will return to white. It is possible to change all Talker IDs first and press Enter after changing the last one. Starting at the Talker ID field of input 1, pressing the Tab key will jump to the Talker ID of the next input.

Clicking the **Read Configuration** button will read the Talker ID settings from the multiplexer. Any modified Talker IDs that have not been sent to the multiplexer (yellow background) will revert to their original values. To clear a Talker ID, simply clear the edit box by selecting the contents with the cursor and press the Del or Backspace key on your keyboard and finally press Enter. An empty Talker ID setting will show two dashes.

The MiniPlex-3 will only change Talker IDs of approved NMEA 0183 sentences. Proprietary sentences starting with "\$P" or "!P" will remain untouched, because these sentences have no Talker ID field.

There is no Talker ID setting for NMEA 2000 sources. It would be quite useless to set a Talker ID for an entire set of navigation data.

### Priority

Each NMEA 0183 input of the MiniPlex-3 can be assigned a priority from 1 to 5. 1 sets the highest priority and 4 sets the lowest. By default, no priority is set ("--"). There is no priority setting for the conversion results as these will have the same priority as the input receiving the source of the conversion.

On NMEA 2000 enabled models, the range of priority values is extended up to 200. The higher values 10, 20, 50, 100 and 200 can be used for prioritizing against higher and fixed Device Instance numbers of devices on an NMEA 2000 network.

An overall priority can be assigned to NMEA 2000 sources. Setting the priority of the NMEA 2000 port to 1 to 5 will assign this priority to all sources on the NMEA 2000 network. By selecting "DI" however, individual sources on the NMEA 2000 network can be assigned a priority by setting their Device Instance\* to a non-zero value. When set to 1 or higher, the Device Instance value is compared against the priority values of the NMEA 0183 inputs, and the same check is applied: a lower value has a higher priority. To be able to prioritize from NMEA 2000 sources that don't allow their Device Instance to be changed, the NMEA 0183 inputs can be set to higher values in the range of 5 to 200.

Assigning a priority to at least two inputs or NMEA 2000 sources will cause the MiniPlex-3 to block duplicate NMEA 0183 sentences received/generated from the lowest priority source. If a duplicate sentence from the higher priority source is no longer received, the same sentence from the next lower priority source will be passed after an adjustable time out in the Priority Control panel.

Only the Sentence Formatter (e.g. the "RMC" part) is used for comparison - the Talker ID (the "GP" part) is ignored.

Example 1: two GPS receivers are connected to In1 and In2 with priority settings of 1 and 2 respectively. Both GPS receivers transmit \$GPRMC sentences but only those from the GPS on In1 are passed. This feature can be useful to set up a second GPS as a backup for the main GPS.

Example 2: a GPS and an AIS are connected to In1 and In2 respectively. By assigning a lower priority to In2, the duplicate GPS sentences from the AIS will be blocked.

Note that the priority system does not block an entire input; it only blocks duplicate sentences. Sentences received from the AIS like! AIVDM, which are not received from the GPS, are passed.

Table 1 shows sentences from the GPS on In1 and from the AIS transponder on In2. The higher priority of the GPS input blocks the greyed GPRMC sentence received from the AIS transponder.

The priority system can store up to 50 different sentence types to determine their priority. An adjustable time out ensures that sentences received from lower priority sources are passed again when their duplicates from higher priority sources are no longer received or have an invalid Status Flag.

GPS (In1)	AIS (In2)
GPRMC	GPRMC
GPGGA	AIVDM

Table 1

Example 3: On the NMEA 2000 network are two sources of GPS data, a mast mounted GPS antenna and a chart plotter. If the mast mounted GPS must be the primary source of GPS

---

\* The Device Instance of a device can be changed using the NMEA 2000 Device List. On tab **NMEA 2000**, click on button **Device List**, double-click on the desired device from the list and change the Device Instance in the **Device Information** window that appeared.

data and the chart plotter the secondary source, set the Device Instance of the mast mounted GPS to 1 and the Device Instance of the chart plotter to 2. If the mast mounted GPS transmits GPS data on the NMEA 2000 network, the MiniPlex-3 will use this GPS as the source to convert the NMEA 2000 data to NMEA 0183 sentences. When the mast mounted GPS fails or loses fix, the MiniPlex-3 will fall back to using the chart plotter as conversion source.

Priorities of NMEA 0183 inputs and NMEA 2000 devices the network can be mixed: the priority value of each NMEA 0183 input is compared directly to the Device Instance of NMEA 2000 data sources.

The Device Instance of an NMEA 2000 device can be changed in the **Device List** of MPXConfig3 or on any chart plotter that is connected to the NMEA 2000 network.

### Input Mode

The NMEA 0183 inputs of the MiniPlex-3 can be set to different modes besides standard NMEA, to be able to receive "not quite standard" NMEA, plain text or SeaTalk. The following modes are available:

- NMEA:** Normal NMEA processing. This is the default processing mode in which sentences are checked for correct formatting according to the NMEA 0183 standard. Any sentence that is incorrectly formatted or has a checksum error is rejected. This behaviour meets the IEC/EN60945 requirements.
- NMEA (ERR):** Forward NMEA sentences with a checksum error unmodified, bypassing all further NMEA processing, routing and conversions. Only the default route is applied. This allows other devices or software to detect the checksum error.
- NMEA (CR/LF):** Relaxed NMEA format checking. This mode will accept incorrectly terminated sentences. Using this mode, a sentence is considered terminated if it ends on a *CR*, a *LF* or a combination of both in arbitrary order.
- Text to NMEA:** Receive plain text strings and forward them as \$MXTXT sentences. Any character with an ASCII value greater than 32 (a space) is regarded as the start of a string. The string must end on a *CR* or *LF* and its length may not exceed 61 characters. A longer string will result in a new \$MXTXT sentence containing the remainder of the string. Only valid NMEA characters are read. Invalid characters are stripped from the received string.  
The Total number and Sentence number fields of the \$MXTXT sentence are always set to "01". The Text Identifier field of the \$MXTXT sentence contains the input number on which the string was received. When for instance "Hello World" is received on input 3, the resulting sentence will be: \$MXTXT,01,01,03,Hello World\*6E.
- Text to PTXT:** Receive plain text strings and forward them in \$PTXT sentences. Any character with an ASCII value greater than 32 (a space) is regarded as the start of a string. The string must end on a *CR* or *LF* and its length may not exceed 71 characters. A longer string will result in a new \$PTXT sentence containing the remainder of the string. The MiniPlex-3 will always terminate a forwarded string with a *CR/LF* pair. All characters with an ASCII value from 32 to 127 are forwarded.
- Plain Text:** Receive plain text strings and forward them unmodified. Any character with an ASCII value greater than 32 (a space) is regarded as the start of a string. The string must end on a *CR* or *LF* and its length may not exceed 77 characters. A longer string will result in a new string containing the remainder of the original string. The MiniPlex-3 will always terminate a forwarded string with a *CR/LF* pair. All characters between from ASCII 32 to 127 are forwarded.
- SeaTalk:** Available on In1 only. This mode switches In1 to SeaTalk mode and fixes its speed to 4800 Baud. When this mode is selected, In1 becomes a fully bi-directional SeaTalk port which can receive and transmit SeaTalk data. See the **Technical Reference** section for an overview of the converted SeaTalk datagrams.
- SeaTalk-STNG:** Available on In1 of NMEA 2000 models only. This mode switches In1 to SeaTalk mode with Raymarine SeaTalk-STNG converter emulation and fixes its speed to 4800 Baud. When this mode is selected, In1 becomes a fully bi-directional SeaTalk port which can receive and transmit SeaTalk data. Conversions of SeaTalk control datagrams is also supported, like Raymarine's own SeaTalk-STNG converter. This allows for instance a SeaTalk remote control to be used to control a SeaTalk<sup>NG</sup> autopilot. This mode should not be used when a Raymarine SeaTalk-STNG converter is already present on the SeaTalk<sup>NG</sup>/NMEA 2000 network, because this would result in a data-loop, flooding the SeaTalk bus with control messages. See the **Technical Reference** section for an overview of the converted SeaTalk datagrams.

### Input "NMEA Conversions"

The results of NMEA 0183 conversions (see the **Conversions** tab, Figure 51) are available through this "virtual" input if the conversion result has the same Sentence Formatter as the originating sentence. These sentences can be routed using the default route settings and the routing table, using input column **C**. Conversion results with a different Sentence Formatter originate from the same input as the original sentence.

### Input "NMEA 2000"

NMEA 2000 PGNs are converted into NMEA 0183 sentences, which are processed in the same way as NMEA 0183 sentences received on In1 to In4. They can be routed using the default route settings and the routing table, using input columns **N** and **Device**.

### Default Route

These options enable a default route from the NMEA 0183 inputs, the NMEA 2000 port and the conversion results to the NMEA 0183 outputs.

The default route is applied to a sentence when no specific route for this sentence exists in the routing table. A match in the routing table always takes precedence over the default route.

There is always a default route from the NMEA 0183 inputs and NMEA 2000 port to the host port(s).

## Output Settings

### Speed

This sets the speed of each NMEA 0183 output. The default speed is 4800 Baud, which is the standard speed for navigation devices. The highest supported speed is 115200 Baud.

If an output is connected to a plotter, it is wise to set this output and the input of the plotter to a higher speed to prevent output buffer overflows. Especially when many sentences/inputs or an AIS source are routed to that output, it is essential to choose at least 38400 Baud. Most plotters support a speed of 38400 Baud or higher.

If you change the speed of Out1, the speed of In4 will be changed too. In4 and Out1 share the same communication port inside the MiniPlex-3 and therefore always have the same speed. Out1 is generally used to control an autopilot and should be left at 4800 Baud for this purpose.

### Host Data

These settings control if and how sentences from the host interfaces USB, Ethernet or WiFi are routed to each NMEA output:

**No:** No sentences from the host interface are routed to the NMEA output.

**Yes:** Sentences from the host interface are routed to the NMEA output and mixed with sentences from the inputs, SeaTalk and NMEA 2000.

**Override:** Sentences from the host interface are routed exclusively to the output and take precedence over any sentence from the inputs, SeaTalk and NMEA 2000. When the host sends sentences to the MiniPlex-3, no other sentences are routed to that output. When the host stops sending sentences however, sentences from the inputs, SeaTalk and NMEA 2000 will be routed to the output again after a time out of 10 seconds.

The **Override** option is very useful when navigating alternately using a GPS and navigation software. Consider a typical set-up as shown in Figure 48 with Out1 set to **Override**:

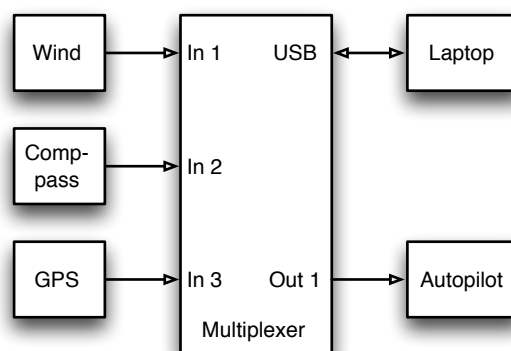


Figure 48

The connected laptop will receive all data from the instruments. If a waypoint or route is activated in the navigation software, it will transmit autopilot-control sentences to the MiniPlex-3. These sentences will be routed to Out1 exclusively. The connected autopilot will therefore receive sentences from the navigation software only.

If the laptop is not connected, or if no route is activated in the navigation software and it is not transmitting any sentences, the MiniPlex-3 will automatically route sentences from the inputs to Out1, thus allowing the GPS to control the autopilot.

### **Output NMEA V1.5**

NMEA Out2 has an option to convert specific sentences from NMEA 0183 V2.0 and up to V1.5 format. NMEA 0183 V2.0 and up defines new fields that are added to existing sentences. Also, in NMEA 0183 V1.5 magnetic heading is transmitted using an HDM sentence instead of an HDG sentence.

Some older navigation devices can only process NMEA 0183 V1.5 sentences and refuse to receive/decode newer sentences. If this option is enabled, the MiniPlex-3 converts the following sentences to NMEA 0183 V1.5 format:

ABP, BWC, BWR, GGA, GLL, HDG, RMA, RMB, RMC, VBW, VLW, VTG, XTE and ZDA.

The HDG sentence is replaced by an HDM sentence, and in the VTG sentence the decimal point and trailing decimals are removed from both course fields (older B&G equipment requires this).

*Note: this option only affects sentences transmitted from NMEA Out2!*

### **Ignore Divisor**

This option disables the divisor in a routing table entry for NMEA Out2. When enabled, sentences are transmitted at their original frequency or rate. The divisor is still applied to the same sentences routed to NMEA Out1.

### **Priority Control**

Two settings on the Priority Control panel govern the behaviour of the Priority system: **Check GPS status** and a **Time out** value in seconds.

When the **Check GPS status** option is enabled, the status and mode flags of GPS sentences are checked. If these flags indicate an "invalid" status (e.g. No fix or Simulator mode), the sentence is blocked. This causes the priority system to choose the next available, lower priority source of like sentences. Without this option enabled, the primary GPS must completely fail (i.e. stop transmitting data) before sentences from the secondary GPS are passed.

Sentences checked for valid status and mode flags are APB, GGA, GLL, RMA, RMB, RMC, VTG and XTE. In addition, the heading field of HDT sentence is checked. Since the HDT sentence has no status flag, GPS compasses generally leave the heading field blank when a GPS fix is lost.

NMEA 2000 PGNs which contain a status field, such as PGN 129209 (GNSS Position) are also checked.

The **Time out** setting determines when a similar sentence of the next lower priority source will be passed. The time out can be set from 1 to 30 seconds.

## Options

On this tab, several options can be enabled as well as NMEA 0183 sentences that are generated from NMEA 2000 and SeaTalk.

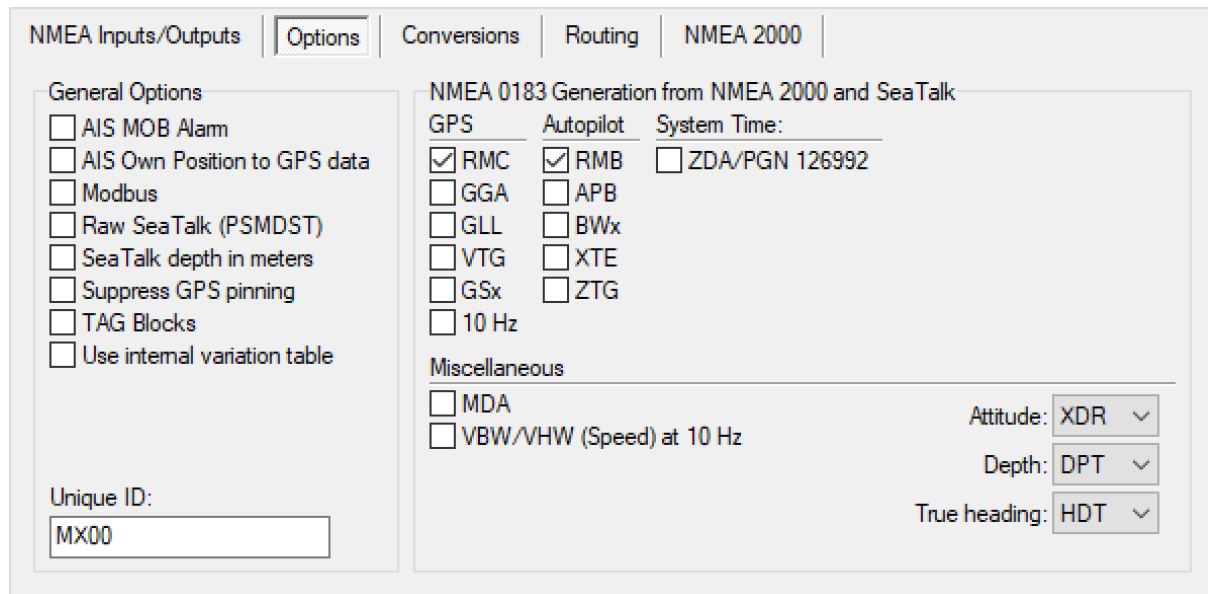


Figure 49

### General Options

#### AIS MOB Alarm

The MiniPlex-3 has an AIS MOB alarm feature, which responds to *AIS-SART* messages from AIS-based SART, MOB and EPIRB devices. To receive these AIS-SART messages, an AIS transponder or receiver must be connected to the MiniPlex-3, either via NMEA 0183 or NMEA 2000. When this option is enabled, an **AIS MOB Alarm** tab will appear, which contains the AIS MOB table and buttons to manage the table. The AIS MOB Alarm feature is described in detail in chapter **AIS MOB Alarm** on page 72.

#### AIS Own Position to GPS data.

This option converts the so-called *Own Vessel Report* received from an AIS transponder to GPS data. The Own Vessel Report may be received on NMEA 0183 or NMEA 2000. The converted GPS data is transmitted from virtual input **Conversions** on NMEA 0183, NMEA 2000 and - when enabled - via the routing table on SeaTalk.

The own vessel position report only contains latitude, longitude, course and speed over ground. No time and date are available. Therefore, the generated GPS position does not have a time or date of fix.

#### Modbus

Modbus is a widely used industrial protocol between PLCs (Programmable Logic Controllers) and sensors. The MiniPlex-3 can read data from such sensors and convert the sensor readings into NMEA 0183 \$YXXDR sentences. When this option is enabled, a **Modbus** tab will be available and NMEA Out2 becomes a Modbus RTU (RS485) port to which Modbus sensors can be connected.

The **Modbus** tab contains the Modbus Slave table and controls to manage that table. The Modbus feature is described in detail in chapter **Modbus** on page 75.

#### Raw SeaTalk (PSMDST)

This option enables conversion of SeaTalk datagrams to \$PSMDST sentences containing the unconverted "raw" SeaTalk data. The \$PSMDST sentence contains hexadecimal numbers for each byte of the original SeaTalk datagram. For normal use of the MiniPlex-3, this option should be left disabled as it is only intended for either diagnostic purposes or for software developers who want to have access to all available SeaTalk datagrams on the network.

For an in-depth technical explanation of this option, see paragraph **Converted SeaTalk Datagrams** in the Technical Reference in the back of this manual.

#### SeaTalk Depth in meters

When depth information from NMEA 0183 or NMEA 2000 is converted and routed to SeaTalk, this option will instruct displays on the SeaTalk network to show the depth in meters instead of feet.

## Suppress GPS Pinning

Modern GPS receivers may not transmit course over ground and even speed over ground when the GPS is not moving. This is called *pinning*. When a GPS is stationary, a COG cannot be determined, thus it has a random value while the SOG might be either 0 or a very small but varying value. Pinning suppresses these random values by marking the data as "not available" in NMEA 2000 or by leaving the COG field, and sometimes the SOG field too, in the RMC sentence empty.

Some NMEA 0183 repeater displays may not show GPS information if the COG and/or SOG fields are empty. When the **Suppress Pinning** option is enabled, the MiniPlex-3 will fill empty COG and SOG fields of an RMC sentence with "0.0" to keep repeater displays happy.

## TAG Blocks

This option prepends each sentence with a Source TAG block. This TAG block contains a source identification parameter, identifying the source of that sentence. Figure 50 shows a few sentences prepended with TAG blocks.

```
\s:MX63-2*46\IIGGA,143357.999,5301.0061,N,00635.5479,E,1,06,1.9,90.0,M,, , ,0000*2E
\s:MX63-3*45\GPGGA,143357.999,5301.0061,N,00635.5479,E,1,06,1.9,90.0,M,, , ,0000*39
\s:MX63-2*46\IIGLL,5301.0061,N,00635.5479,E,143357.999,A*22
\s:MX63#1B*09\HEHDT,67.0,T*1E
```

Figure 50

The TAG blocks in first three lines identify an NMEA 0183 input with one digit after a dash whereas the TAG block in last line identifies an NMEA 2000 source with its hexadecimal Source Address after the hash sign.

TAG blocks can be useful if multiple MiniPlex-3E multiplexers are connected to a network. Receiving devices/software can decode a TAG block to determine the source of an NMEA 0183 sentence on the network.

MPXConfig3 enables TAG blocks temporarily for the duration of the connection and uses the source information for filling the routing table during a Capture or to selectively show NMEA sentences in the NMEA viewer

See section TAG Blocks in the back of this manual for a description of TAG blocks.

## Use internal variation table

The MiniPlex-3 has an internal magnetic variation table which provides a magnetic variation for every location on earth, ranging from 88° N to 88° S and 180° E to 180° W.

If this option is enabled *and* a GPS location is received from any source, then the MiniPlex-3 will replace magnetic variation in NMEA 0183 sentences and NMEA 2000 PGN's it transmits with a magnetic variation from this table.

These sentences and PGN's are: HDG (Magnetic Heading), RMC (GPS Position), PGN 127250 (Vessel Heading) and PGN 127258 (Magnetic Variation).

Any conversion between magnetic and true heading (see tab **Conversions**) will also use this table when this option is enabled.

The magnetic variation table in the MiniPlex-3 firmware will be updated each year and is obtained from NOAA, using the WMM model.

## Unique ID

The Unique ID is a text string which is placed in a Source TAG block. When no Unique ID is entered or the existing Unique ID is erased, a default Unique ID is set. The default Unique ID is "MXnn" where *nn* are the last two digits of the serial number of the MiniPlex-3.

## NMEA 0183 Generation from NMEA 2000 and SeaTalk

This section controls which NMEA 0183 sentences are generated from NMEA 2000 and SeaTalk data. The factory default settings are sufficient for most applications.

When connected devices require other sentences, they can be enabled here. For instance, a VHF radio might require a GGA sentence for GMDSS, instead of an RMC sentence. Similarly, some autopilots are known to require APB and XTE in addition to the RMB sentence to operate properly.

Option **GSx** enables both GSA and GSV sentences.

Option **BWx** enables either BWC or BWR, depending on PGN 129284, field 6 (Calculation Type). If the Calculation Type is Rhumb Line, a BWR sentence is generated. In all other cases (Great Circle or Not



Available) a BWC sentence is generated. This option also enables the WCV sentence, which contains the waypoint closure velocity.

### **10 Hz**

This option sets the frequency of the RMC, GGA, GLL and VTG sentence to 10 Hz. This will result in 10 position updates per second, taking advantage of NMEA 2000 PGN 129025, *Position, Rapid Update*, which is also transmitted at 10 Hz. The COG and SOG values in the RMC and VTG sentences will be updated at 4Hz, which is the frequency of PGN 129026, *COG & SOG, Rapid Update*.

Be careful when routing these sentences to NMEA outputs that operate at a slow speed: A single RMC sentence at 10Hz will certainly overflow an output at 4800 Baud! In such a case, create an entry for this sentence in the routing table and use the **Divisor** to reduce the frequency.

### **System Time – ZDA/PGN 126992**

This option will enable the output of a ZDA sentence or PGN 126992 containing *System Time*. The MiniPlex-3 features an internal real-time clock which can be set from a time source or be free running. This clock will be set when a system time is received from either NMEA 2000, NMEA 0183 or SeaTalk. The system time will never be retransmitted on the same bus or protocol it was received from. For example: if the System Time was received from an NMEA 0183 RMC or ZDA sentence, the MiniPlex will only transmit the System Time on NMEA 2000 and SeaTalk.

The priority of the System time in case of multiple sources is, in descending order, NMEA 2000 > NMEA 0183 > SeaTalk.

Both the Source field (2) in PGN 129992 as the Talker ID of the ZDA sentence transmitted by the MiniPlex-3 will indicate the source of the System Time.

When a System Time is no longer received, the MiniPlex-3 will stop transmitting System Time.

The ZDA sentence is generated internally, originating from the *NMEA Conversions* input and transmitted by default on the host interfaces only. When it needs to be transmitted from one of the NMEA outputs, either the default route from *NMEA Conversions* to Out1 and/or Out2 must be enabled or "--ZDA" must be entered in the routing table, with input **C** and the desired outputs enabled.

PGN 126992 is transmitted from the *Main* device of the MiniPlex-3.

### **VBW/VHW (Speed) at 10 Hz**

This option sets the frequency of the VBW and VHW sentences (speed through water) to 10 Hz.

### **Attitude**

This drop-down menu selects which NMEA sentences are being transmitted for attitude and heave. The default setting is **XDR**. When **PFEC** is selected, the MiniPlex-3 will transmit two Furuno Proprietary sentences: \$PFEC,GPhve containing heave and \$PFEC,GPatt containing attitude. These are non-standard NMEA sentences and only recognized by specific Furuno navigation equipment.

### **Depth**

This drop-down menu selects which NMEA sentence (DPT or DBT) is being transmitted when depth is received from an NMEA 2000 or SeaTalk source. The default setting (**DPT**) is the preferred setting because the DPT sentence also contains the transducer offset and the maximum range that can be measured. A DBT sentence is sometimes required by older navigation devices.

### **True heading**

This drop-down menu selects which NMEA sentence (HDT or THS) is being transmitted when true heading is received from an NMEA 2000 source. The Talker ID of the generated sentence depends on the true heading source. In case of a GPS compass the Talker ID will be "GP", "HE" will be used for all other sources.

## Conversions

The MiniPlex-3 can convert certain NMEA 0183 sentences into new sentences. These can be sentences received on inputs 1 to 4 or sentences created from an NMEA 2000 or SeaTalk source. The original sentence remains unaffected, a conversion always creates a new additional NMEA 0183 sentence.

When the address field of the converted sentence is identical with the original sentence, like a reversed true heading (HDT → HDT), the converted sentence appears on a virtual input called *NMEA Conversions* (column **C** in the routing table). When the address field of the converted sentence differs from its original then the conversion result appears from the same source as the original.

This ensures that a conversion result can always be routed separately from the original sentence.

Note that if the original sentence should be blocked, its entry in the routing table must have a checkbox on the input side of the table but no checkbox on the output side. The checkbox on the input side ensures the sentence is passed to the conversion function.

NMEA Inputs/Outputs | Options | **Conversions** | Routing | NMEA 2000

NMEA 0183 Conversions

Heading

Heading Magnetic <-> True (HDG <-> HDT)

Reverse Heading (HDM/HDG/HDT/THS)

COG to True Heading (VTG -> HDT)

HDT <-> THS

Speed

GPS Speed to Log Speed (VTG -> VHW)

Log Speed to GPS Speed (VHW -> VTG)

Reverse Speed (VBW)

Combine Heading and Speed into VHW

Wind

VWR <-> MWV

Apparent to True Wind (MWV,R -> MWV,T)

Calculate Wind Direction (MWV,T -> MWD)

Reverse Wind Angle (MWV)

Speed source for True Wind: STW

Miscellaneous

TLL to WPL

TLL to PGN 130074

Figure 51

## Heading

### Heading Magnetic ↔ True (HDG ↔ HDT)

This option converts magnetic to true heading and vice versa. If the MiniPlex-3 receives an HDG or HDM sentence (magnetic heading), it will generate an HDT sentence (true heading). If the multiplexer receives an HDT sentence, it will generate an HDG sentence.

If the originating HDG sentence contains magnetic variation and/or deviation, these are used to calculate a true heading from the magnetic heading. If the originating HDG sentence contains no variation, the MiniPlex-3 will use any variation received from an NMEA 0183, NMEA 2000 or SeaTalk source. The variation in the HDG sentence always takes precedence over any other variation.

When converting from HDT to HDG, the MiniPlex-3 will use deviation and variation from any source to calculate the magnetic heading.

If option **Use internal variation table** on the **Options** tab is enabled, then the variation from the internal variation table will be used for all calculations from magnetic to true heading and vice versa.

The resulting conversion originates from the same source as its original.

### Reverse Heading (HDM/HDG/HDT/THS)

This option reverses the heading from any received heading sentence. On reception of a heading sentence, the MiniPlex-3 transmits a new heading sentence with 180° added to the original heading. This can be used to provide two opposing navigation stations on ferries with a heading from the same source.

The resulting conversion originates from input *NMEA Conversions* (column **C** in the routing table), allowing the original and converted sentences to be routed differently.

The Talker ID in HDT and THS sentences is preserved to ensure compatibility with GPS compasses, which generally output a Talker ID "GP".

### **COG to True Heading (VTG → HDT)**

This option converts a VTG sentence from a GPS into an HDT sentence, using the course over ground to simulate a true heading.

The resulting conversion originates from the same source as its original.

### **HDT ↔ THS**

This option converts an HDT sentence into a THS sentence and vice versa. The Talker ID in HDT and THS sentences is preserved to ensure compatibility with GPS compasses, which generally output a Talker ID "GP".

The resulting conversion originates from the same source as its original.

## **Speed**

### **GPS Speed to Log Speed (VTG → VHW)**

This option converts a VTG sentence from a GPS into a VHW sentence, using the speed over ground to simulate a speed through water. This option can be useful to simulate a log with a stuck paddlewheel.

If the MiniPlex-3 receives heading from any source, the heading fields of the resulting VHW sentence will be filled. Otherwise, they will be left empty. The COG fields of the originating VTG sentence are not used for this conversion.

The resulting conversion originates from the same source as its original.

### **Log Speed to GPS Speed (VHW → VTG)**

This option converts a VHW sentence from a speed log into a VTG sentence, using the speed through water to simulate a speed over ground. This can be useful if a device needs a VTG sentence while only a Log is available.

The resulting conversion originates from the same source as its original.

### **Reverse Speed (VBW)**

This option reverses/changes the sign of all speed fields in a VBW sentence.

The resulting conversion originates from input *NMEA Conversions* (column **C** in the routing table), allowing the original and converted sentences to be routed differently.

### **Combine Heading and Speed into VHW**

This option combines magnetic and/or true heading from any source with speed through water from any source into a VHW sentence. Where the resulting VHW sentence originates from, depends on the source of the speed through water: if the source is a VHW sentence, NMEA 2000 or SeaTalk, then the converted VHW sentence originates from input *NMEA Conversions*. If the source is a VBW sentence, then the converted VHW sentence originates from the same input.

## **Wind**

### **VWR ↔ MWV**

This option converts a VWR sentence into an MWV sentence and vice versa. Sometimes software expects one sentence while the available wind instrument generates the other. By enabling this option, "old" and "new" can be connected without problems.

The resulting conversion originates from the same source as its original.

### **Apparent to True Wind (MWV,R → MWV,T)**

This option converts apparent wind (AWA/AWS) into true wind (TWA/TWS) using the STW from any available source of water speed. If required, SOG instead of STW can be used by changing the **Speed source for True Wind** setting to **SOG**.

The resulting conversion originates from the same source as its original.

If only VWR sentences are available, the **VWR ↔ MWV** option can be enabled to convert these to MWV sentences first.

### **Calculate Wind Direction (MWV,T → MWD)**

This option converts true wind angle into true wind direction using any magnetic and true heading source. If only apparent wind is received, option **Apparent to True Wind** can be enabled to provide true wind.

The resulting conversion originates from the same source as its original.

### **Reverse Wind Angle (MWV)**

This option reverses the wind angle in an MWV sentence.

The resulting conversion originates from input *NMEA Conversions* (column **C** in the routing table), allowing the original and converted sentences to be routed differently.

### Speed source for True Wind

This setting chooses which speed is used to calculate true wind. The default and preferred setting is STW (speed through water). Selecting SOG uses speed over ground from a GPS source.

## Miscellaneous

### TLL to WPL

This conversion is useful when marking a target on a target-capable echo sounder. When a target is marked, such an echo sounder outputs an NMEA TLL sentence. When this conversion is enabled, the MiniPlex will convert this TLL sentence into a WPL (Waypoint Latitude and Longitude) sentence. A receiving chart plotter will then mark the sounder target on the screen as a waypoint.

The waypoint name in the WPL sentence will be one of the following:

- The Target Name field in the originating TLL sentence.
- **TGT-xx** where xx is the Target Number (two digits) in the originating TLL sentence if the Target Name field is empty.
- **TGT-xxxxx** where xxxxx is an incrementing number from 0 to 65535 if the Target Number field is also empty.

After each power-up or reset of the MiniPlex, the **xxxxx** will start at 0.

### TLL to PGN 130074

This option will convert a target from a TLL sentence to PGN 130074 (WP Name & Position). It is effectively an extension of the TLL to WPL conversion, transmitting the same waypoint on the NMEA 2000 network. This option can thus only be enabled if **TLL to WPL** is enabled too.

## Automatic Conversions

The MiniPlex-3 also performs some automatic conversions on specific NMEA 0183 sentences. These conversions are corrections of erroneously formatted fields or invalid field values.

### VTG

Some GPS receivers output a COG of 360° when moving north. Other devices may regard this as an illegal value. Therefore, the MiniPlex-3 converts every COG of 360° into 0°.

### TTM

Some radar systems transmit a TTM (Tracked Target Message) sentence with a one-digit Target Number. This violates the NMEA 0183 standard, which specifies this field as a two-digit number. As a result, many ECDIS systems do not accept such a sentence. The MiniPlex-3 checks the length of this field and adds a leading zero when a one-digit Target Number is detected.

## Sentence Rebuilding

The MiniPlex-3 possesses a very unique feature called Sentence Rebuilding. This feature allows you to build a completely new NMEA 0183 sentence using the contents of another sentence.

Since this requires a complex command with a variable number of fields, there are no user interface controls defined for this in MPXConfig3. The Sentence Rebuilding definition must be entered as a proprietary sentence in **Send NMEA**. The starting '\$' character may be omitted.

The format and meaning of the fields of this proprietary sentence is shown below:

`$PSMDSR,a,b,cccc,dddd,text,...,text`

a: Sentence Status flag:

- C = sentence is a command to change settings
- R = sentence is a status report of current settings

b: Definition number (1..3)

cccc: Address field of originating sentence. Wildcard characters ('-') are accepted, matching on every character.

dddd: Address field of new sentence

text: Arbitrary number of text fields defining the fields of the new sentence. A percent sign followed by a number (e.g. "%3" or "%11") within these text fields is replaced with the contents of that

field from the originating sentence. All other valid NMEA characters are copied verbatim to the new sentence.

The use of the placeholder "%x" might be best explained using human language. Imagine we have a sentence A like below:

A: My house is blue

and we want to build a new sentence B about the colour of our car, using the colour of the house mentioned in the sentence A. The Sentence Rebuild definition would then look like this:

B: My car is %4

Now if the MiniPlex-3 receives the sentence A, it will generate sentence B and at the position of "%4" it will put the fourth word of the sentence A, resulting in:

B: My car is blue

Translated to NMEA sentences, A is the address field of the originating sentence like GPRMC, and B is the address field of the new sentence like GPVTG, while the individual words of a sentence are the parameters of an NMEA sentence, separated by commas.

### Example

Suppose we want to convert an RMC sentence into a VTG sentence. The symbolic format of a VTG sentence is shown below:

```
$GPVTG,<COG_T>,T,<COG_M>,M,<SOG_N>,N,<SOG_K>,K,A
```

<COG\_T> is the true course over ground, <COG\_M> is the magnetic course over ground and so on. The last 'A' is the mode field of the VTG sentence. We're going to take that field from the RMC sentence as well.

The RMC sentences has a SOG in field 7, a true COG in field 8 and a GPS mode in field 12:

```
$GPRMC,124026.83,A,5221.62284,N,00505.00865,E,0000.7,088.0,100822,2.5,W,A,S  
0 1 2 3 4 5 6 7 8 9 10 . 12
```

A field from the RMC sentence is copied into the new VTG sentence by referring to this field with "%x" where 'x' is the field number into the RMC sentence. So, when we place '%7' in a text field of the PSMDSR sentence, it is replaced by the contents of field 7 of the RMC sentence.

To convert GPRMC into GPVTG, the following PSMDSR command is required

```
PSMDSR,C,1,GPRMC,GPVTG,%8,T,%8,M,%7,N,,K,%12
```

When this command is entered in **Send NMEA**, the MiniPlex-3 will respond with

```
PSMDSR,R,1,GPRMC,GPVTG,%8,T,%8,M,%7,N,,K,%12
```

as a confirmation the command is accepted. The '1' in the second parameter field of the PSMDSR command tells the MiniPlex-3 to store this as Rebuild Definition number 1. Up to three Rebuild Definitions can be stored.

All the fields from GPVTG onwards are copied as a new sentence, copying all characters verbatim and replacing the "%8", "%7" and "%12" with fields 8, 7 and 12 of the originating GPRMC sentence. The '\$' character preceding the address field of the VTG sentence is added automatically.

The resulting VTG sentence will appear as:

```
$GPVTG,088.0,T,088.0,M,0000.7,N,,K,D
```

The SOG field preceding the 'K' is left empty, simply because there is no SOG in km/h present in the RMC sentence, so we left this empty in the Sentence Rebuilding definition.

Command PSMDSR requests all stored Sentence Rebuilding definitions. To erase a single definition, execute PSMDSR,C,x where x is the definition number 1, 2 or 3.

## Routing

The routing table is the most powerful feature of the MiniPlex-3. It allows NMEA 0183 sentences to be filtered and routed based on their Address Field and source, and optionally reduce their rate or frequency when routed to one of the NMEA 0183 outputs.

The routing table stores up to 50 entries, either entered manually or by capturing the NMEA 0183 sentences received/generated by the multiplexer.

	Inputs						Sentence	Div	Outputs					
	1	2	3	4	C	H			1	2	ST	PC	W	
1		<input checked="" type="checkbox"/>					GPRMC		<input checked="" type="checkbox"/>			<input checked="" type="checkbox"/>		
2	<input checked="" type="checkbox"/>						HEHDT			<input checked="" type="checkbox"/>		<input checked="" type="checkbox"/>		
3			<input checked="" type="checkbox"/>				SDDPT					<input checked="" type="checkbox"/>		

Figure 52: Routing table on an NMEA 0183-only MiniPlex-3

NMEA 2000 and SeaTalk data is also routed here, though not based on their PGN or datagram number but by the equivalent NMEA 0183 sentence they are converted to.

	Inputs						NMEA 2000 Sources		Sentence	Div	Outputs				
	1	2	3	4	C	H	N	Device			1	2	ST	PC	W
1							<input checked="" type="checkbox"/>	HDS Gen2 5m iGPS ...	GPRMC		<input checked="" type="checkbox"/>		<input checked="" type="checkbox"/>		
2	<input checked="" type="checkbox"/>								HEHDT			<input checked="" type="checkbox"/>	<input checked="" type="checkbox"/>		
3							<input checked="" type="checkbox"/>		SDDPT				<input checked="" type="checkbox"/>		

Figure 53: Routing table on an NMEA 2000 enabled MiniPlex-3

Each entry in the routing table contains the Address Field of an NMEA sentence, checkboxes to specify its source and destination and a divisor factor to reduce the sentence rate or frequency.

## Routing Table Columns

The routing table contains the following columns:

**Index:** The leftmost column is the entry number. Clicking on a number enables the **Delete** button to delete the entry.

### Inputs:

1-4: NMEA 0183 inputs 1 to 4. If In 1 is set to SeaTalk, the "1" changes into "ST"  
C: NMEA 0183 Conversion results  
H: Input from the Host port(s)  
N: Input from the NMEA 2000 port<sup>1</sup>

**Device:** Source device of the NMEA 2000 data<sup>1</sup>

**Sentence:** The Address Field of an NMEA 0183 sentence. This fully specifies the type of NMEA sentence to be filtered or routed. A "-" (dash) matches any character in the Address Field. For instance, if an entry contains "--GLL", any sentence that ends on GLL will match, regardless of its Talker ID (the first two characters). Similarly, a "P----" will match on every proprietary sentence starting with \$P. The Sentence field must contain 5 characters.

**Div:** Divisor field. A number from 1 to 99 will divide the sentence rate or frequency by the number entered. If this field contains a divisor of 5 for instance, every fifth occurrence of this sentence will be passed. The divisor is not applied to the host outputs and to SeaTalk<sup>4</sup>. Also, the divisor can be disabled for NMEA Out 2

### Outputs:

1,2: NMEA outputs 1 and 2  
ST: Output to SeaTalk port<sup>2</sup>  
PC: Output to Host port (USB or Ethernet)  
W: Output to WiFi interface<sup>3</sup>

Note 1: This column is only visible when connected to an NMEA 2000 enabled MiniPlex-3.

Note 2: This column is only enabled if In1 is set to SeaTalk mode.

Note 3: This column is only enabled when connected to a WiFi enabled MiniPlex-3.

Note 4: SeaTalk data is transmitted using fixed time slots, independent of the rate of the originating data received on NMEA 0183 or NMEA 2000. The Divisor has no influence on this.

**There is no output column for NMEA 2000. All received NMEA 0183 and SeaTalk data is always converted and routed to the NMEA 2000 network.**

## Table Buttons and Controls

The following controls are available to edit the table:

**Capture:** Enables capture mode. The table will be filled automatically with NMEA 0183 sentences currently received by the MiniPlex-3.

**Add:** Add a new empty entry at the end of the table.

**Delete:** Delete an entry from the table in MPXConfig3. Click on the Index number of the entry to be deleted. This will enable the **Delete** button.

**Clear:** This button clears the table in MPXConfig3 (not in the MiniPlex-3!). To clear the table in the MiniPlex-3, click on the **Store** button after clearing the table in MPXConfig3.

**Store:** Stores the table from MPXConfig3 into the MiniPlex-3. This overwrites the table inside the MiniPlex-3.

**No Match:** This setting determines what happens if a received sentence is not found in the routing table. Set to **Default** to apply the default route or **Block** to block the sentence.

## Editing the table

It is important to keep in mind that all modifications and additions are made to the routing table in MPXConfig3 only. The current table is automatically loaded from the MiniPlex-3 to MPXConfig3 when you connect to the MiniPlex-3 or when you click on the **Read Configuration** button. After editing, the table must be stored in the MiniPlex-3 using the **Store** button to be effective.

- Inputs/Outputs:** Clicking on a checkbox in an **Inputs** or **Outputs** column enables a sentence from that input or to that output.
- Device:** The **Device** field can be filled by double-clicking on the field and selecting the desired NMEA 2000 device from the window that appears. The **Device** field can be cleared again by selecting it and pressing the Delete key on your keyboard.
- Sentence/Div:** The **Sentence** and **Divisor** fields can be edited by selecting it with the cursor. Edit mode is entered in several ways:
- Press function key F2 on your keyboard. This enters Edit mode with the cursor at the end of the text. Move the cursor around with the mouse or arrow keys.
  - Press Enter or click with the cursor: This enters Edit mode with the text selected and the cursor at the first character. Any character or number that is typed now will erase the existing text entirely unless the cursor is moved around with the mouse or arrow keys. This will unselect the text.

When changes are made, press Enter to confirm them or press Escape to discard any changes and exit Edit mode.

### Note on editing tables

All tables in MPXConfig3 (Routing, AIS MOB and Modbus) operate in the same way. The buttons **Add**, **Delete**, **Clear** and **Store** on these tabs operate in the same way, as well as editing text fields.

### Filling the table

The routing table can be filled in two ways: Use the **Add** button to add entries to the table or the **Capture** button to fill the table with sentences currently being received. When using **Capture**, ensure the routing table inside the MiniPlex-3 is cleared first by clicking on **Clear** and **Store**. Otherwise, you would be capturing data which is already routed or filtered.

All controls will be disabled during capture and the **Capture** button changes to **Stop**. Leave the capture mode running for approximately 10 seconds. By that time, all connected devices will have transmitted NMEA sentences, which are now stored in the routing table in MPXConfig3. Click on **Stop** to end the capture mode.

The captured entries will have checkboxes in the input columns, indicating the source of each entry.

***It is absolutely necessary to review and modify the routing settings for each sentence after a Capture. Use the routing table with care! Simply capturing the table and storing it unmodified is useless and can lead to unforeseen problems!***

The general advice is to remove entries from single sources that should be routed to a host only. The Default Route already takes care of these sentences. The two main reasons for using the routing table are:

1. Route specific sentences to an NMEA 0183 output
2. Block duplicate sentences

The **Technical Reference** lists commonly used Talker ID's and Sentence Formatters. These lists can be a useful aid while setting up the routing table as they explain the nature of the sentences and which information they contain.

It is very important to realize that using a capture to fill the table overrides the default routes since every sentence is in the routing table.



## NMEA 2000 Sources

A checkbox in the **N** column and an empty **Device** field will pass that sentence from every device on the NMEA 2000 network. Using only the checkbox is sufficient in case of a single source of each sentence.

When multiple sources of the same sentence exist, use the **Device** field to select the source of that sentence. To add a device, double-click on the **Device** field of the desired routing entry. This will open a window showing all devices on the NMEA 2000 network:

Manufacturer	Model ID	Serial No.	Version	LE (mA)	SA	DI	SI
ShipModul	MiniPlex-3E-N2K - Main	F0000324	3.0.0	50	0	0	0
ShipModul	MiniPlex-3E-N2K - In1	F0000324	3.0.0	0	1	0	0
ShipModul	MiniPlex-3E-N2K - In2	F0000324	3.0.0	0	2	0	0
ShipModul	MiniPlex-3E-N2K - In3	F0000324	3.0.0	0	3	0	0
ShipModul	MiniPlex-3E-N2K - In4	F0000324	3.0.0	0	4	0	0
ShipModul	MiniPlex-3E-N2K - Cnv	F0000324	3.0.0	0	5	0	0
Actisense	NMEA 2000 PC Interface (NGT-1)	147824	1.100	50	15	0	0
Lowrance Electronics, Inc.	HDS Gen2 5m Pilot Controller	3257260698	4.0.45.2.200	0	26	0	0
Lowrance Electronics, Inc.	HDS Gen2 5m iGPS	3257260698	4.0.45.2.200	0	27	0	0
Lowrance Electronics, Inc.	HDS Gen2 5m Navigator	3257260698	4.0.45.2.200	0	28	0	0
Lowrance Electronics, Inc.	HDS Gen2 5m MFD	3257260698	4.0.45.2.200	50	29	0	0
Raymarine	SeaTalk-STNG-Converter	0390997	2.03	50	117	25	1

Figure 54

Double-click on the desired entry or select it and click on the **OK** button to save the device into the routing table. Clicking the **Cancel** button leaves the routing table untouched. The **Refresh** button performs a re-scan of all devices on the NMEA 2000 network. The latter would only be required if a message appears that new NMEA 2000 devices have been detected.

## Routing Operation

When the MiniPlex-3 receives an NMEA 0183 sentence or creates one from an NMEA 2000 or SeaTalk source, it searches the routing table for a match in the order as the entries appear in the table in MPXConfig3.

If a match is found (address field and input/source match), the sentence is accepted for further processing and routing. If only the address field matches, the search continues until a full match is found or the end of the table is reached.

If no match is found, the **No Match** setting determines what happens next: when set to **Default**, the default route is applied. When it is set to **Block**, the sentence is blocked.

The default routes are set in section **Input Settings** on the **NMEA Inputs/Outputs** tab.

Note that the MiniPlex-3 will not pass any sentence if the routing table is empty, and the **No Match** setting is set to **Block**.

Received NMEA 0183 sentences are following a specific processing route, as shown in Figure 55 below:

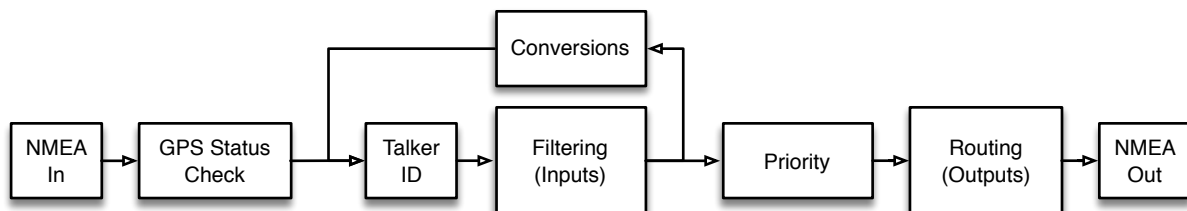


Figure 55

A few important things can be seen from this figure:

- The GPS Status check blocks a GPS related sentence at this point if its status flags are set to "invalid" in case of no GPS fix. This will trigger the Priority block further up in the chain to pass a lower priority source.
- If a Talker ID is set for an input, it is applied to received NMEA sentences *before* filtering is applied. A routing entry must therefore contain the correct Talker ID.

- Conversions are applied *after* filtering. As a result, sentences that are blocked on an input will not be converted. This implies that if a sentence must be converted and only the conversion result is required, the originating sentence must be enabled on the receiving input and blocked on all outputs. The conversion result needs to be enabled on the **C** input and routed to the desired output.

### Example

Figure 56 shows a small routing table:

	Inputs						NMEA 2000 Sources		Sentence	Div	Outputs				
	ST	2	3	4	C	H	N	Device			1	2	ST	PC	W
1	✓								GPRMC		✓				
2		✓							HEHDT	5		✓	✓	✓	
3							✓		WIMWV				✓	✓	
4							✓		WIMTW				✓	✓	
5	✓								VWVHW				✓	✓	
6							✓		AIVDM			✓		✓	
7							✓	HDS Gen2 5m iGPS ...	GPRMC				✓	✓	
8							✓	✓ HDS Gen2 5m Naviga...	GPRMB				✓		

Figure 56

These entries have the following effect:

1. GPRMC sentences received from SeaTalk are routed to output 1.
2. HEHDT sentences received from input 2 are routed to SeaTalk, the PC and WiFi. Only every 5<sup>th</sup> sentence is passed to Out2.
3. WIMWV sentences received from any NMEA 2000 source are routed to the PC and WiFi.
4. WIMTW sentences received from any NMEA 2000 source are routed to the PC and WiFi.
5. VWVHW sentences received from SeaTalk are routed to the PC and WiFi.
6. AIVDM sentences received from any NMEA 2000 source are routed to Out2 and WiFi.
7. GPRMC sentences received from the HDS Gen2 5m iGPS are routed to the PC and WiFi.
8. GPRMB sentences received from the HDS Gen2 5m Navigator are routed to SeaTalk.

Note that entries 7 and 8 apply to the same Lowrance HDS Gen2 5m chart plotter. Most chart plotters present multiple virtual devices on the NMEA 2000 network, as can be seen in the NMEA 2000 Devices window in Figure 54. In this case, one device is the GPS, and the other device is the Navigator - the source that transmits PGNs used for controlling an autopilot.

## NMEA 2000

In general, it is not necessary to change any of the settings on this tab. If all devices on the NMEA 2000 network receive the converted NMEA 0183 from the MiniPlex-3, everything is just fine.

The MiniPlex-3 announces itself on an NMEA 2000 as six *virtual* devices: one *Main* device, and one device for each NMEA 0183/SeaTalk input and the conversion results. Each device has its own Device Type, Source Address and Device Instance.

Source Addresses are allocated automatically during the Address Claim Procedure each device performs during start-up, or if an address contention occurs when another device claims the same Source Address.

The Address Claim Procedure ensures that each device on the NMEA 2000 has a unique Source Address. This unique Source Address, which is attached to every message transmitted onto the NMEA 2000 network, ensures that receiving devices can distinguish similar data from different devices. The Source Address is key for a working data source selection.

The screenshot shows a software interface for NMEA 2000 configuration. At the top, there are several tabs: "NMEA Inputs/Outputs", "Options", "Conversions", "Routing", "AIS MOB Alarm", and "NMEA 2000". The "NMEA 2000" tab is selected. Below the tabs, there is a "Device Settings" section with a table of virtual devices. To the right of the table, there are checkboxes for "Generate \$MXPGN" and a "Device List" button.

	Device Type	SA	DI
Main:	PC Gateway	1	0
In 1:	NMEA 0183 Gateway	7	0
In 2:	NMEA 0183 Gateway	9	0
In 3:	NMEA 0183 Gateway	10	0
In 4:	NMEA 0183 Gateway	8	0
Conv:	NMEA 0183 Gateway	11	0

Generate \$MXPGN  
 From unknown PGN's  
 From all PGN's

Device List

Figure 57

### Device Settings

The settings in this section control how each virtual device of the MiniPlex-3 is identified on the NMEA 2000 network.

#### Device Type

Each device on an NMEA 2000 network has a *Device Class* and *Device Function* code, identifying the device type to other devices on the network. These codes are contained in the Address Claim Message (PGN 60928) each device transmits on start-up and on request of other devices. These codes enable other devices to make an automatic "best choice" for a data source.

In MPXConfig3, a **Device Type** can be selected for the *Main* device and each of the NMEA 0183 inputs. Selecting a **Device Type** sets the right Device Class and Device Function code for each virtual MiniPlex-3 device. In general, it is not necessary to change any of the settings on this tab; the default Device Types are fine in most situations.

In some cases, however, it might be convenient (1) or even required (2, 3) to set a **Device Type** that matches with the device connected to the NMEA 0183 input:

1. An AIS transponder and a GPS are connected to two NMEA 0183 inputs of the MiniPlex-3 and a plotter is connected to the NMEA 2000 network. This plotter will see two similar sources of GPS data, both originating from an **NMEA 0183 Gateway**. The plotter will randomly decide which source to use.  
By setting the AIS input to **AIS** and the GPS input to **Ownship Position (GNSS)**, that same plotter could make an "educated" decision to use the GPS as data source for position data and fall back to the AIS in case the GPS fails.
2. A GPS is connected to an NMEA 0183 input of the MiniPlex-3 and a GMDSS capable VHF radio is connected to the NMEA 2000 network. Some radios are known to only accept position data from a GPS device for safety reasons. They do not accept position data from any other source such as an

NMEA 0183 gateway. In this case, it is necessary to set the Device Type of the NMEA 0183 input of the MiniPlex-3 to **Ownship Position (GNSS)**.

3. In case of device type **Weather Instrument (< V2)**, the MiniPlex-3 will transmit PGN's 130310, 130311 and 130312 instead of PGN's 130313, 130314 and 130316. This can be required if other devices only support NMEA 2000 V1.200 messages.

Some Device Types are marked with "(< V2)". In the transition from V1.300 to V2.000 of the NMEA 2000 standard, some Device Class and Device Function codes were changed. Older devices supporting NMEA 2000 V1.300 and older may therefore not recognize V2.000 Device Class and Device Function codes. The "(< V2)" Device Types can then be used to ensure backwards-compatibility with older NMEA 2000 devices.

When an NMEA input of the MiniPlex-3 is set to a "(< V2)" device, the Product Information PGN transmitted for this input will report an "NMEA Message Database Version" of 1.300.

### **SA - Source Address**

This column shows the Source Address claimed by each virtual MiniPlex-3 device. This Source Address identifies the NMEA 2000 data each input transmits on the NMEA 2000 network.

Other devices on the NMEA 2000 network use these addresses to specifically select a MiniPlex-3 input/virtual device as data source. These Source Addresses listed are allocated automatically on start-up of the MiniPlex-3 and/or the NMEA 2000 network.

A "n/a" at any of the inputs indicates that the input couldn't claim a Source Address and it will not transmit any data on the NMEA 2000 network. To resolve this, enter command PSMDRESET in **Send NMEA** to reset the MiniPlex-3. This will start the Address Claim Procedure and after a moment all inputs should have claimed a Source Address. If "n/a" still shows up, there is a problem on the NMEA 2000 network.

### **Setting a Source Address**

There is one case in which setting a Source Address is required: On a Raymarine SeaTalk<sup>NG</sup> network, Source Addresses are used to determine the priority of a data source: a higher Source Address implies a higher priority of the data source.

When a fast or high precision heading sensor with an NMEA 0183 output is connected to a SeaTalk<sup>NG</sup> network through a MiniPlex-3 (or any other NMEA 0183/2000 gateway), A Raymarine autopilot system will generally ignore this heading source and use the heading source of the autopilot system instead. By setting the Source Address of the MiniPlex-3 input that receives this heading to a high value like 200, the Raymarine autopilot will accept the heading from the MiniPlex-3. The highest Source Address that can be entered, is 251.

There is no guarantee that a given Source Address is also obtained. If the MiniPlex-3 tries to claim a given Source Address, another device on the network may already have claimed this Source Address. If this is the case, the numerical value (NAME) in the Address Claim message that both devices will transmit on the NMEA 2000 network determines who "wins" this address. The device losing this claim must then claim a new Source Address. If the MiniPlex-3 wins, the entered Source Address will remain the same, otherwise a different value may appear. The NMEA 2000 Device List (Figure 58) can be used as a guide to find a free or unused Source Address.

### **DI - Device Instance**

Every device on an NMEA 2000 network has a Device Instance: a number with a valid range from 0 to 255, providing a means to enumerate the number of like devices (same Class and Function codes) on the NMEA 2000 network.

The DI of each NMEA 0183 input can be set to provide this enumeration. For instance, if two depth sensors are connected to two NMEA 0183 inputs of the MiniPlex-3, assigning different DIs to each input allows other devices to enumerate both depth sensors.

The NMEA 2000 numbering convention is to start from 0, incrementing from port side of the vessel to starboard, then from bow to stern.

The default Device Instance value is 0 and it is not necessary to change it if no NMEA 0183 input receives the same data.

### **Generate \$MXPGN**

The options in this section control if and when \$MXPGN sentences are generated by the MiniPlex-3. These sentences contain the PGN number, an attribute field and the binary data of the PGN, all represented as hexadecimal ASCII numbers:

```
$MXPGN,01F112,2807,FC7FFF7FFF168012*11
```

See the **Technical Reference** section for a description of the \$MXPGN sentence and how it can be used.

### From unknown PGNs

Unknown PGNs are PGNs which are not converted to NMEA 0183 sentences. When this option is enabled, only unknown PGNs are converted into \$MXPGN sentences.

This option can be useful when navigation software needs to read PGNs for which no equivalent NMEA 0183 sentence exists. Such PGNs could contain an electrical switch position or *proprietary data*. Converting these PGNs to \$MXPGN sentences allows developers to easily read NMEA 2000 data using existing NMEA 0183 sentence parsing code.

### From all PGNs

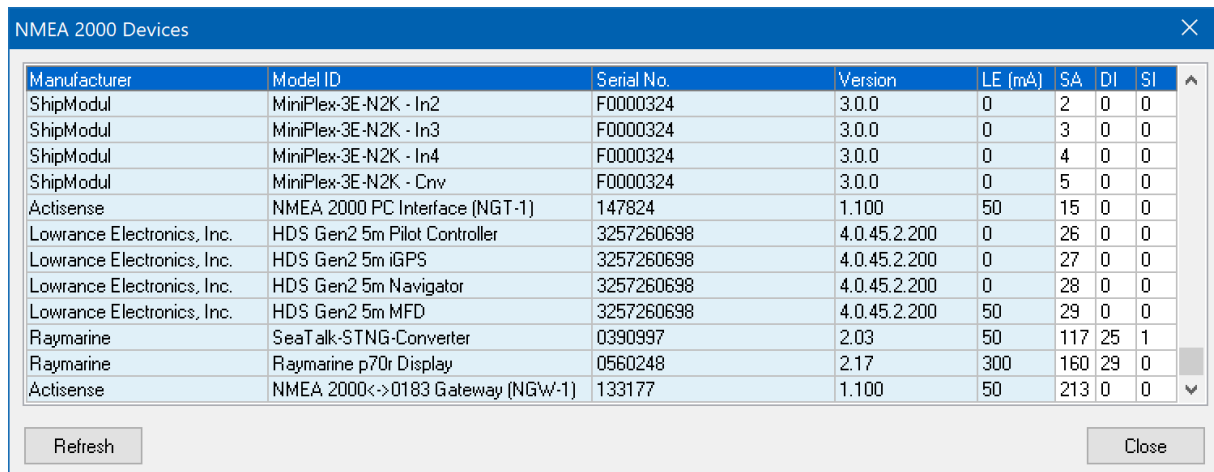
When this option is enabled, the conversion from NMEA 2000 PGNs to NMEA 0183 sentences is completely disabled and every received NMEA 2000 PGN is converted into one or more \$MXPGN sentences. This allows software on a PC to read and decode every possible NMEA 2000 PGN.

It is also possible to send an \$MXPGN sentence to the MiniPlex-3 using an NMEA 0183 input or host interface. The MiniPlex-3 will then convert this to an NMEA 2000 PGN and transmit it onto the NMEA 2000 network, provided the Write bit in the attribute field of the \$MXPGN sentence is set to '1'.

When support is requested, we often ask you to enable this option prior to generating an NMEA log file. This allows us to "replay" your NMEA 2000 data onto the NMEA 2000 network in our office, to duplicate the problems you encounter.

### Device List

This button opens a window showing all devices that are present on the NMEA 2000 network.



Manufacturer	Model ID	Serial No.	Version	LE (mA)	SA	DI	SI
ShipModul	MiniPlex-3E-N2K - In2	F0000324	3.0.0	0	2	0	0
ShipModul	MiniPlex-3E-N2K - In3	F0000324	3.0.0	0	3	0	0
ShipModul	MiniPlex-3E-N2K - In4	F0000324	3.0.0	0	4	0	0
ShipModul	MiniPlex-3E-N2K - Cnv	F0000324	3.0.0	0	5	0	0
Actisense	NMEA 2000 PC Interface (NGT-1)	147824	1.100	50	15	0	0
Lowrance Electronics, Inc.	HDS Gen2 5m Pilot Controller	3257260698	4.0.45.2.200	0	26	0	0
Lowrance Electronics, Inc.	HDS Gen2 5m iGPS	3257260698	4.0.45.2.200	0	27	0	0
Lowrance Electronics, Inc.	HDS Gen2 5m Navigator	3257260698	4.0.45.2.200	0	28	0	0
Lowrance Electronics, Inc.	HDS Gen2 5m MFD	3257260698	4.0.45.2.200	50	29	0	0
Raymarine	SeaTalk-STNG-Converter	0390997	2.03	50	117	25	1
Raymarine	Raymarine p70r Display	0560248	2.17	300	160	29	0
Actisense	NMEA 2000<->0183 Gateway (NGW-1)	133177	1.100	50	213	0	0

Figure 58

The most important information of each device on the NMEA 2000 network is listed. More detailed information can be obtained by double-clicking on a device entry. This will open a window as shown in Figure 59.

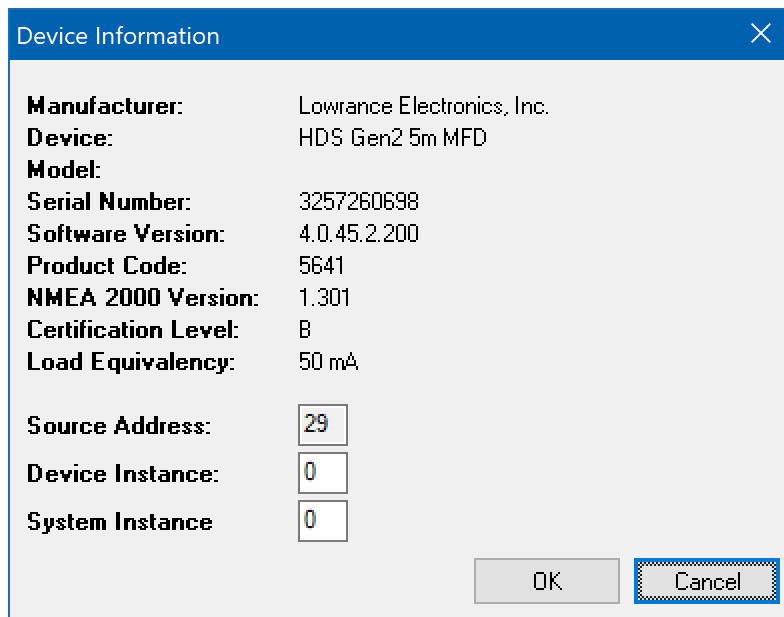


Figure 59

This window shows all available information of a device. The Device Instance and System Instance of a device can be changed to suit the needs of your NMEA 2000 network. In most situations, these settings can be left as they are.

### Source Address

The Source Address is allocated dynamically by each device on the NMEA 2000 network and is shown for informational purposes only.

There is one case in which setting a Source Address is required: On a Raymarine SeaTalk<sup>NG</sup> network, Source Addresses are used to determine the priority of a data source: a higher Source Address implies a higher priority of the data source.

When a fast or high precision heading sensor with an NMEA 0183 output is connected to a SeaTalk<sup>NG</sup> network through a MiniPlex-3 (or any other NMEA 0183/2000 gateway), A Raymarine autopilot system will generally ignore this heading source and use the heading source of the autopilot system instead. By setting the Source Address of the MiniPlex-3 input that receives this heading to a high value – such as 200 – the Raymarine autopilot will accept the heading from the MiniPlex-3. The highest Source Address that can be entered, is 251.

There is no guarantee that a given Source Address is also obtained. If the MiniPlex-3 tries to claim a given Source Address, another device on the network may already have claimed this Source Address. If this is the case, the numerical value (NAME) in the Address Claim message that both devices will transmit on the NMEA 2000 network determines who “wins” this address. The device losing this claim must then claim a new Source Address. If the MiniPlex-3 wins, the entered Source Address will remain the same, otherwise a different value may appear. The NMEA 2000 Device List (Figure 58) can be used as a guide to find a free or unused Source Address.

### Device Instance

The Device Instance is a number with a valid range of 0 to 255, providing a means to enumerate the number of like devices (same Class and Function codes) on the NMEA 2000 network.

The Device Instance of each device can be set to provide this enumeration. For instance, if two depth sensors are connected to the NMEA 2000 network, assigning different Device Instances to each sensor allows other devices to enumerate both depth sensors.

The NMEA 2000 numbering convention is to start from 0, incrementing from port side of the vessel to starboard, then from bow to stern.

The MiniPlex-3 can use the Device Instance to determine the priority of a Data Source when the Priority setting of the NMEA 2000 interface is set to **DI** on the **NMEA Inputs/Outputs** tab. A lower value of the Device Instance has a higher priority. A value of 0 excludes a Data Source from the priority evaluation. The value of the Device Instance is compared one-on-one to the set priority of an NMEA 0183 input. See chapter **Priority** for detailed information about the priority feature of the MiniPlex-3.

*Note: Some SeaTalk<sup>NG</sup> devices have a fixed, non-zero Device Instance value which cannot be changed.*

**System Instance**

The System Instance is a number with a valid range of 0 to 15 that indicates the occurrence of devices in additional network segments, redundant or parallel networks or sub-networks. Devices behind a bridge or gateway could be assigned a different (other than 0) Device Instance to indicate that they are on a different network segment. This can be used when multiple NMEA 2000 backbones are installed on larger vessels or in case of a redundant installation while a bridge connects these networks. Thus, an NMEA 2000 device on one network segment knows if another device is on the same network segment or on a redundant or other segment. For single/small networks, the System Instance should be left at 0.

## AIS MOB Alarm

The MiniPlex-3 AIS MOB alarm responds to "AIS SART" messages from AIS-based SART, MOB and EPIRB devices. To receive these AIS-SART messages, an AIS transponder or receiver must be connected to the MiniPlex-3, either via NMEA 0183 or NMEA 2000.

The AIS MOB alarm will only trigger on devices listed in the table. Up to eight MMSIs of SART devices can be stored in the MiniPlex-3.

The **Switch A** and **B** terminals provide a floating switch contact which closes upon alarm. This contact can switch loads up to 60V and 0.5A.

**NMEA Input 4** serves as an Acknowledge/Control switch input. It accepts a 5 – 15V pulse, provided by a push-button type of switch.

Checking the **AIS MOB Alarm** on the **Options** tab in MPXConfig3 enables the **AIS MOB Alarm** tab as shown below:

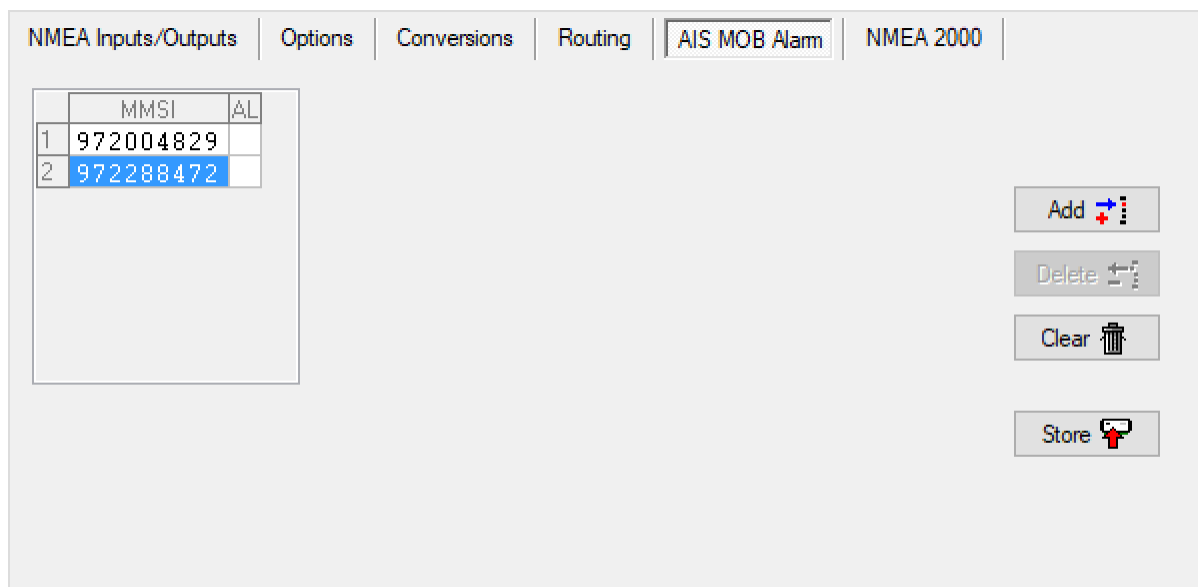


Figure 60

On this tab, up to eight MMSIs of MOB units can be entered.

### AIS MOB Table Columns

The AIS MOB table contains the following columns:

**Index:** The leftmost column is the entry number. Clicking on a number enables the **Delete** button to delete the entry.

**MMSI:** The MMSI number of an AIS MOB device that the MiniPlex-3 should respond to. The MMSI entered must contain all 9 digits.

**AL:** Alarm field. This field will turn red when an AIS MOB alarm has been received.

If the AIS MOB alarm is enabled, NMEA Input 4 serves as an Acknowledge/Control switch input and all the usual controls for In4 will be invisible:

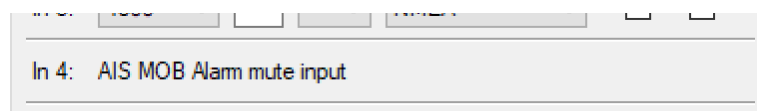


Figure 61



## Connections

To be able to use the AIS MOB Alarm, the following connections need to be made (see Figure 62):

- A momentary push-button connected to a 12/24V source and NMEA Input 4
- A buzzer connected to the Switch A/B contacts and 12/24V

Note that the Switch A/B contacts are rated at 60V/0.6A max, for resistive loads only. The switch is not fused and will be destroyed if the rated voltage or current is exceeded.

A relay can be driven if a flyback-diode is connected in reverse polarity across the coil of the relay.

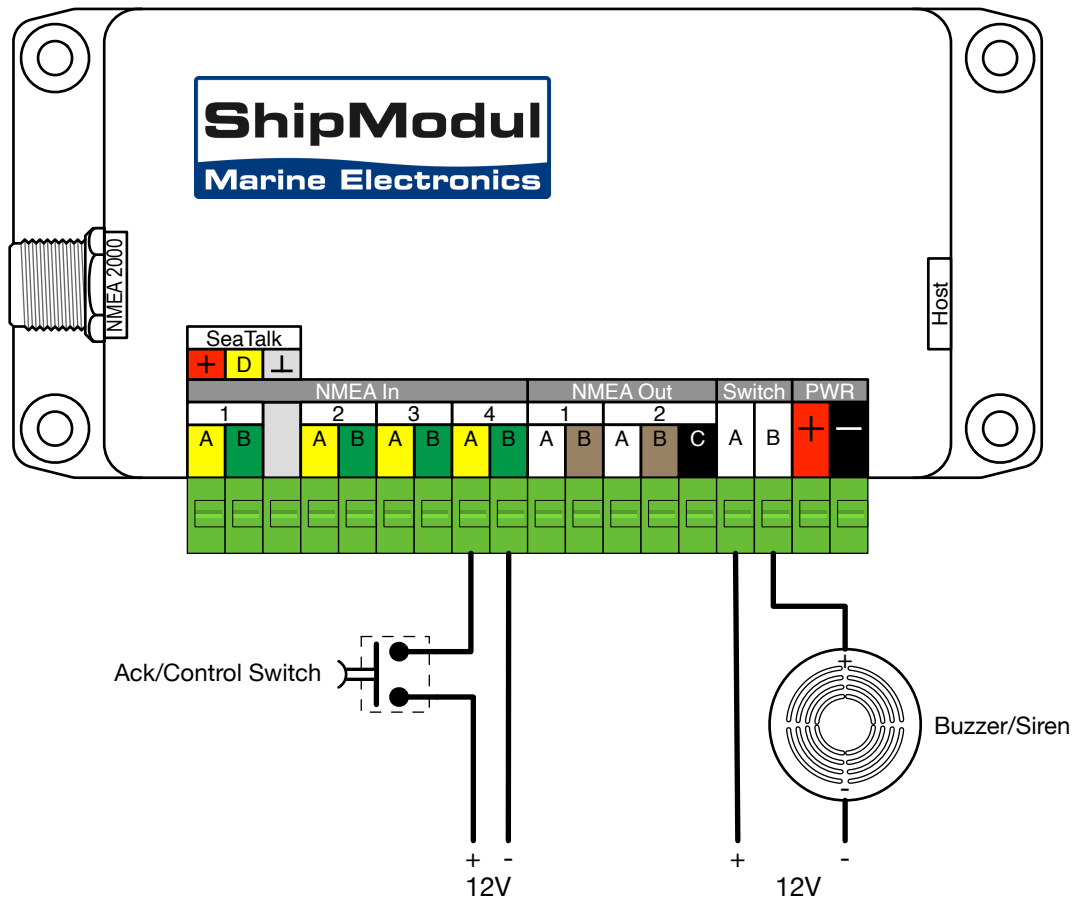


Figure 62: AIS MOB Alarm connections

## AIS MOB Alarm Operation

When an AIS MOB device is activated, it will transmit AIS-SART messages every minute. When the MiniPlex-3 receives these messages from a known device (its MMSI is stored in the MiniPlex-3), the alarm sounds indefinitely until the Acknowledge/Control switch is pressed momentarily. Reception of new AIS-SART messages from another known device will sound the alarm again until pressing the switch.

When the AIS SART device is recovered and switched off, the MiniPlex-3 will automatically "arm" its MMSI for a new alarm after 90 seconds.

When the Test button of a known SART device is pressed, the alarm will sound for 2 seconds once the SART device starts transmitting. This will also arm its MMSI immediately instead of 90 seconds after being recovered and switched off.

Note that a SART device must acquire a GPS fix first, before it will start transmitting in test mode. With clear satellite visibility, this should take no more than one minute.

## Learning Mode

MMSIs can also be added in the *Learning Mode*, without using MPXConfig3. To enter *Learning Mode*, press and hold the Acknowledge/Control switch for more than 5 seconds. The alarm will sound for 2 seconds indicating *Learning Mode* is started. The MiniPlex-3 remains in *Learning Mode* for 10 seconds.

Now press the Test button of the SART device which should be added to the list. The MiniPlex-3 will confirm reception of the SART-Test message with a short beep of 0.5 second. This will also restart the 10 second time window of the *Learning Mode*. Note that the SART device must acquire a GPS fix first, before

it will start transmitting. With clear satellite visibility, this should take no more than one minute. A GPS fix will most likely be indicated by a LED changing state. In this case, wait for the GPS fix to occur, then press and hold the Acknowledge/Control switch to enable *Learning Mode* on the MiniPlex.

Up to eight SART devices can be added. When ready adding devices, the MiniPlex-3 will automatically exit *Learning Mode* 10 seconds after the last SART device has been added or when the maximum of eight devices has been reached. The alarm will sound for 2 seconds to indicate the end of the Learning Mode.

A SART device can only be added to the list once. So, if the MiniPlex-3 does not sound in response to pressing the Test button on the SART while in *Learning Mode*, the SART device was already added previously.

## Modbus

Modbus is an industrial protocol, used to read data from multiple (industrial) sensors on a single RS485 network. Modbus enabled sensors typically measure non-navigation-related physical quantities like temperature, pressure, level or flow.

When Modbus is enabled, the MiniPlex-3 becomes a Modbus master, utilizing the Modbus-RTU protocol via port **NMEA Out2**. Received sensor data is converted into NMEA 0183 \$YXXDR sentences. The MiniPlex-3 will group as many sensor values as possible into one XDR sentence as the maximum sentence length or 82 characters permits. The exact number of sensor values depends on the chosen precision and length of Transducer IDs entered for each slave entry.

Up to 30 slave definitions can be entered in the table on the Modbus tab. Each entry defines one slave address and one register number, along with other parameters regarding the register and data type and the required parameters for the XDR sentence.

The screenshot shows a software interface with several tabs: NMEA Inputs/Outputs, Options, Conversions, Routing, Modbus (selected), and NMEA 2000. Below the tabs is a table with two main sections: 'Modbus Slave' and 'XDR Sentence'.

	Modbus Slave						XDR Sentence			
	Slv	Reg	T	D	R	P	T	Transducer ID	U	Status
1	1	0	H	I		1	R	Fuel1	1	?
2	1	1	H	I		0	E	Fuel1	P	?

Below the table are four buttons: 'Add' (with a plus sign), 'Delete' (with a minus sign), 'Clear' (with a trash icon), and 'Store' (with a floppy disk icon). At the bottom right, there is a checkbox labeled 'Enable Diagnostics'.

Figure 63

### Modbus Table Columns

The Modbus table contains the following columns:

- Index:** The leftmost column is the entry number. Clicking on a number enables the **Delete** button to delete the entry.
- Slv:** The Modbus slave address of the sensor to be read. Valid addresses are 1 to 247.
- Reg:** The Modbus register number of the sensor to be read. The MiniPlex-3 uses 0-based protocol addresses, ranging from 0 to 65535.
- T:** Modbus Register type:  
H: Holding register (function code 03)  
I: Input register (function code 04)
- D:** Data type:  
I: Signed integer (16-bit/1 register)  
U: Unsigned integer (16-bit/1 register)  
L: Signed long integer (32-bit/2 registers)  
F: Floating point (32-bit/2 registers)
- R:** Reverse register order in case of a multi-register read operation (Data types "L" and "F").
- P:** Precision or number of decimals for value in Modbus register (0 to 7).
- T:** Transducer Type character in the generated XDR sentence.
- Transducer ID:** Transducer ID in the generated XDR sentence, maximum 15 characters.
- U:** Units character in the generated XDR sentence.
- Status:** Modbus slave status.

## Modbus Slave Addresses

The MiniPlex-3 uses Modbus protocol addresses (0-based) and a specified register type, as opposed to PLC addresses (1-based), where the register type is implied by the register number.

The Holding register range from 0 to 9998 corresponds with a PLC address range from 40001 to 49999 whereas the Input register range from 0 to 9998 corresponds with a PLC address range from 30001 to 39999.

## Register Order

The **Reverse** option swaps the Modbus registers when a signed long or a float number is read. These 32-bit numbers are stored in two consecutive 16-bit Modbus registers.

The Modbus protocol does not specify a 32-bit data size, so the implementation is left to the device manufacturers.

Usually, 32-bit numbers are stored as Big-endian, where the first register holds the most significant 16 bits and the second register holds the least significant 16 bits. This is in accordance with the Modbus protocol, where 16-bit register values are placed in a Modbus frame as two bytes (octets) in Big-endian order as well.

Some devices however store 32-bit numbers in Little-endian order, where the first register holds the least significant 16 bits and the second register hold the most significant 16 bits. The **Reverse** option will swap these registers in the response frame of the slave.

## Precision

The **Precision** sets the number of decimal places for the specified Modbus register and the resulting data field in the XDR sentence. If this field contains 2 for instance, a Modbus register value of 12345 will be represented as 123.45 in the generated XDR sentence.

## Slave Status

The **Status** column in the Modbus table indicates the status of a Modbus slave. The colour of the field indicates the severity of the status. The table below lists all possible indications:

?	Status unknown, slave has not been polled
OK	Slave is OK
E xx	Modbus exception xx returned by the slave
SIZE	Slave response has incorrect register count
WSLV	Response from wrong slave received
COM	Communication error (parity, framing or
SIZE	Slave response has an incorrect frame size
CRC	Slave response has a CRC error
NRSP	Slave does not respond

The Modbus exception codes are defined in the "Modbus Application Protocol Specification", which can be found on [www.modbus.org](http://www.modbus.org).

The **Status** column is not updated "live", it only updates when you click the **Read Configuration** button.

## Communication Parameters

The Modbus RTU protocol on the MiniPlex-3 utilizes 8 data bits, no parity and 2 stop bits. The baud rate can be set with the **Speed** control for NMEA Out2 on the **NMEA Inputs/Outputs** tab.

## Diagnostics

In case of communication problems, checking **Enable Diagnostics** will result in \$PSMDB, D, ... and \$PSMDB, E, ... sentences containing raw Modbus frame data and error reports respectively. The format of these sentences can be found in the Technical Reference at the back of the manual, section **Proprietary NMEA 0183 Sentences**.

# Firmware Update

---

Firmware updates with new features or bug fixes will be available through our web site. These firmware files can be downloaded to your computer and loaded into the MiniPlex-3 using menu **File > Update MiniPlex Firmware**.

MPXConfig3 also contains MiniPlex firmware, which is embedded in the application. This firmware is the minimum required version that is compatible with this version of MPXConfig3.

When MPXConfig3 connects to the MiniPlex, it will interrogate the currently loaded firmware version and check that against the minimum version required. If the version in the MiniPlex is lower, an update is automatically started. This update can also be forced using menu **Tools > Automatic Update**.

Firmware files always contain a complete firmware version, containing all updates from the previous versions.

## Procedure

Make sure the MiniPlex-3 is connected to your computer via USB or Ethernet, start MPXConfig3 and connect to the MiniPlex-3.

In case of a MiniPlex-3E, ensure the MiniPlex-3E is set to TCP first. It is not possible to update the firmware using the UDP protocol.

In case of a MiniPlex-3Wi, connect via the USB interface. It is not possible to update the MiniPlex firmware via WiFi.

Download the firmware update from our web site and unpack the .zip file. Remember in which folder you stored the .mpx file.

Choose menu **File > Update MiniPlex Firmware**.

Using the file dialog, locate and select the firmware image file. When you have selected the firmware file and clicked on **OK**, the update process starts. The image file's integrity and version are checked first before initiating the download procedure in the MiniPlex-3.

When the download starts, the red LED on the MiniPlex-3 will be lit continuously while the green LED blinks on reception of firmware data. MPXConfig3 will show a progress indicator during the update process. When the update is complete and successful, a message will show "The firmware update was successful".

Any errors that occur during the process will be shown. It is important to make a note of the error message when asking for support. See **Firmware Update Error messages** for an explanation of the error messages.

Whenever the update process fails, the MiniPlex-3 will start transmitting \$PSMDLDR... sentences. This indicates that no firmware is loaded and that the MiniPlex-3 is waiting for a new firmware update. Just try updating again until the process is successfully finished.

Sometimes the communication during the firmware update times out and the update is aborted with an error message. This time out can be caused by delays in the communication drivers that are part of Windows. These time outs can happen when other software is communicating with other serial devices at the same time.

When such a time out occurs, the MiniPlex-3 has no firmware loaded and it keeps transmitting \$PSMDLDR... sentences, indicating that it is waiting for firmware. Just try updating again until the process is successful. Sometimes it helps to try the update on a different computer.

# Mounting

The MiniPlex-3 is not waterproof. It should be be mounted at a dry place such as behind the instrument panel on a flat surface.

Make sure there is enough space around the MiniPlex-3 to connect the NMEA 0183 wiring at the bottom, the NMEA 2000 connector on the left side and USB/Network connector on the right side of the housing.

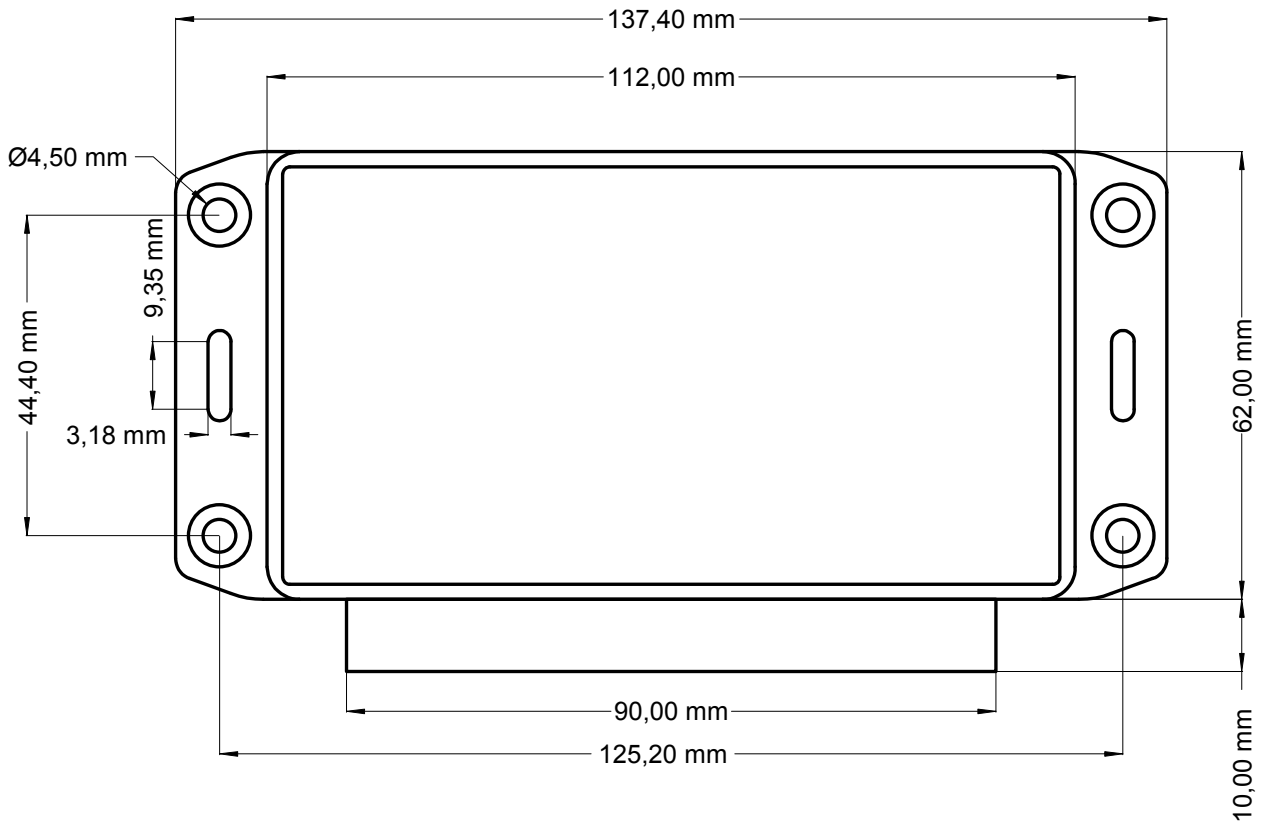


Figure 64: Dimensions

# Technical Reference

---

## NMEA 0183 Sentences

### Standard Sentences

NMEA 0183 sentences always start with a so-called *Address Field*. This address field determines the source and contents of a sentence. The address field itself is split up in two parts: the first two characters are the *Talker ID* and the last three characters are the *Sentence Formatter*.

The Talker ID determines the type of device that transmits the sentence, such as "HC" for a magnetic compass and "GP" for a GPS.

The Sentence Formatter determines the contents of the sentence and its format of the data fields, such as HDG for magnetic heading or GLL for geographic latitude and longitude.

### Proprietary Sentences

Proprietary sentences are not defined in the NMEA 0183 standard and always start with a 'P', followed by a three-character *Manufacturer Mnemonic*, which is defined by NMEA. Everything after the manufacturer mnemonic is defined by the manufacturer. All configuration sentences used by the MiniPlex-3 therefore start with \$PSMD, where SMD is the manufacturer mnemonic of ShipModul.

### Glossary

This glossary lists the most common Talker ID's and Sentence Formatters in alphabetical order.

#### Talker ID's

AG	Autopilot (general)
AP	Autopilot (magnetic)
AI	Automatic Identification System
CD	Communications: Digital Selective Calling (DSC)
CR	Data receiver
CS	Satellite
CT	Radio telephone (MF/HF)
CV	Radio telephone (VHF)
CX	Scanning receiver
DE	Decca navigator
DF	Direction finder
EC	Electronic chart systems (ECS)
EI	Electronic chart display and information system (ECDIS)
EP	Emergency position indicating radio beacon (EPIRB)
ER	Engine room monitoring systems
GP	Global Positioning System (GPS)
GL	GLONASS receiver
GN	Global navigation satellite system (GNSS)
HC	Heading sensors: compass, magnetic
HE	gyro, north seeking
HN	gyro, non-north seeking
II	Integrated instrumentation
IN	Integrated navigation
LC	Loran, Loran-C
MX	Multiplexer
P	Proprietary sentence
RA	Radar and/or radar plotting
SD	Sounder, depth
SN	Electronic positioning system, other/general
SS	Sounder, scanning
TI	Turn rate indicator
VD	Velocity sensors: Doppler, other/general
VM	speed log, water, magnetic
VW	speed log, water, mechanical
VR	Voyage data recorder
YX	Transducer
ZA	Timekeepers: atomic clock
ZC	chronometer
ZQ	quartz

ZV radio updated  
WI Weather instruments

## Sentence formatters

AAM Waypoint arrival alarm  
ACK Acknowledgement alarm  
ALM GPS almanac data  
ALR Set alarm state  
APB Heading/track controller (Autopilot) sentence B  
BEC Bearing and distance to waypoint, dead reckoning  
BOD Bearing, origin to destination  
BWC Bearing and distance to waypoint  
BWR Bearing and distance to waypoint, rhumb line  
BWW Bearing, waypoint to waypoint  
DBT Depth below transducer  
DCN DECCA position  
DPT Depth  
DSC Digital selective calling information  
DSE Expanded digital selective calling  
DSI DSC transponder initialise  
DSR DSC transponder response  
DTM Datum reference  
FSI Frequency set information  
GBS GNSS Satellite fault detection  
GGA Global positioning system fix data  
GLC Geographic position, LORAN-C  
GLL Geographic position, latitude/longitude  
GNS GNSS fix data  
GRS GNSS range residuals  
GSA GNSS DOP and active satellites  
GST GNSS pseudo range error statistics  
GSV GNSS satellites in view  
HDG Heading, deviation and variation  
HDT Heading, true  
HMR Heading monitor – receive  
HMS Heading monitor – set  
HSC Heading steering command  
HTC Heading/track control command  
HTD Heading/track control data  
LCD LORAN-C signal data  
MLA Glonass almanac data  
MSK MSK receiver interface  
MSS MSK receiver signal status  
MTW Water temperature  
MWD Wind direction and speed  
MWV Wind speed and angle  
OSD Own ship data  
PGN NMEA 2000 PGN data  
RMA Recommended minimum specific LORAN-C data  
RMB Recommended minimum navigation information  
RMC Recommended minimum specific GNSS data  
ROT Rate of turn  
RPM Revolutions  
RSA Rudder sensor angle  
RSD Radar system data  
RTE Routes  
SFI Scanning frequency information  
STN Multiple data ID  
TLB Target label  
TLL Target latitude and longitude  
TTM Tracked target message  
TXT Text transmission  
VBW Dual ground/water speed  
VDR Set and drift  
VHW Water speed and heading  
VLW Distance travelled through the water



VPW	Speed, measured parallel to wind
VTG	Course over ground and ground speed
WCV	Waypoint closure velocity
WNC	Distance, waypoint to waypoint
WPL	Waypoint location
XDR	Transducer measurements
XTE	Cross-track error, measured
XTR	Cross-track error, dead reckoning
ZDA	Time and date
ZDL	Time and distance to variable point
ZFO	UTC and time from origin waypoint
ZTG	UTC and time to destination waypoint

## Supported NMEA 2000 PGN list

PGN Decimal	PGN Hex	Description	TX	RX
59392	E800	ISO Acknowledge	•	•
59904	EA00	ISO Request	•	•
60160	EB00	ISO Transport Protocol, Data Transfer	•	•
60416	EC00	ISO Transport Protocol, Connection Management	•	•
60928	EE00	ISO Address Claim	•	•
65240	FED8	ISO Commanded Address	•	•
65286	FF06	Fluid Flow Rate (Maretron Proprietary)		•
65330	FF32	Mast Angle (ShipModul Proprietary)	•	
126208	1ED00	Request/Command/Acknowledge group function	•	•
126464	1EE00	Received/Transmitted PGNs group function	•	
126720	1EF00	SeaTalk Data (Raymarine Proprietary)	•	•
126992	1F010	System Time	•	•
126993	1F011	Heartbeat	•	
126996	1F014	Product Information	•	•
126998	1F016	Configuration Information	•	
127237	1F105	Heading/Track Control	•	•
127245	1F10D	Rudder	•	•
127250	1F112	Vessel Heading	•	•
127251	1F113	Rate of Turn	•	•
127252	1F114	Heave		•
127257	1F119	Attitude	•	•
127258	1F11A	Magnetic variation	•	•
127488	1F200	Engine Parameters, Rapid Update		•
127489	1F201	Engine Parameters, Dynamic		•
127505	1F211	Fluid Level		•
127506	1F212	DC – Detailed Status		•
127508	1F214	Battery Status		•
128259	1F503	Speed, Water referenced	•	•
128267	1F50B	Water Depth	•	•
128275	1F513	Distance Log	•	•
129025	1F801	Position, Rapid Update	•	•
129026	1F802	COG & SOG, Rapid Update	•	•
129029	1F805	GNSS Position Data	•	•
129033	1F809	Local Time Offset (V1.300 Time and Date)		•
129038	1F80E	AIS Class A Position Report (msg. 1,2,3)	•	•
129039	1F80F	AIS Class B Position Report (msg. 18)	•	•
129040	1F810	AIS Class B Extended Position Report (msg. 19)	•	•
129041	1F811	AIS Aids to Navigation (AtoN) report (msg. 21)	•	•
129283	1F903	Cross Track Error	•	•
129284	1F904	Navigation Data	•	•
129285	1F905	Navigation - Route/Waypoint information	•	•
129291	1F908	Set & Drift, Rapid Update	•	•
129539	1FA03	GNSS DOP's	•	•
129540	1FA04	GNSS Sats in view	•	•
129793	1FB01	AIS Base Station (msg. 4)	•	•
129794	1FB02	AIS Class A Static and Voyage Related Data (msg. 5)	•	•
129798	1FB06	AIS SAR Aircraft Position Report (msg. 9)	•	•
129802	1FB0A	AIS Safety Related Broadcast Message (msg. 14)	•	•
129809	1FB11	AIS Class B "CS" Static Data Report, Part A (msg. 24a)	•	•
129810	1FB12	AIS Class B "CS" Static Data Report, Part B (msg. 24b)	•	•
130074	1FC1A	WP List - WP Name & Position	•	
130306	1FD02	Wind Data	•	•
130310	1FD06	Environment (deprecated)	1	•
130311	1FD07	Environment (deprecated)	1	•

PGN Decimal	PGN Hex	Description	TX	RX
130312	1FD08	Temperature (deprecated)	1	•
130313	1FD09	Humidity	•	•
130314	1FD0A	Actual Pressure	•	•
130316	1FD0C	Temperature, extended range	•	•
130578	1FE12	Vessel Speed Components	•	•
131071	1FFFF	Simrad TV80 Data (ShipModul Proprietary)	•	•

Notes:

- 1: These PGN's are transmitted instead of 130313, 130314 and 130316 if the **Device Type** of an NMEA 0183 input is set to **Weather Instrument (<V2)**.

## Conversions from NMEA 2000 to NMEA 0183

PGN	Description	Type	Sentence	Freq.	Note
65286	Fluid Flow Rate (Maretron Proprietary)	I	YXXDR	2	
126992	System Time	D	ZDA	1	1
127237	Heading/Track Control	D	HDG, HDT or THS	10	
127245	Rudder	D	RSA	2	
127250	Vessel Heading	D	HDG, HDT or THS	10	
127251	Rate of Turn	D	ROT	10	
127252	Heave	I	YXXDR or PFEC,GPhve	10	
127257	Attitude	I	YXXDR or PFEC,GPatt	1	
127258	Magnetic variation	D	HDG, RMC	-	2
127488	Engine Parameters, Rapid Update	I	ERRPM, ERXDR	10	
127489	Engine Parameters, Dynamic	I	ERXDR	2	
127497	Trip Fuel Consumption, Engine	I	ERXDR	1	
127505	Fluid Level	I	YXXDR	0.4	
127506	DC – Detailed Status	D	ERXDR	1	
127508	Battery Status	D	ERXDR	1	
128259	Speed, Water referenced	D	VBW, VHW	10	
128267	Water Depth	D	DBT or DPT	1	
128275	Distance Log	D	VLW	1	
129025	Position, Rapid Update	D	GGA, GLL, RMC	1	3
129026	COG & SOG, Rapid Update	D	RMC, VTG	1	3
129029	GNSS Position Data	S D	GGA, GLL, RMC ZDA	1 1	3
129033	Local Time Offset (V1.300 Time and Date)	D	ZDA	1	1
129038	AIS Class A Position Report (msg. 1,2,3)	I	VDM, VDO	-	
129039	AIS Class B Position Report (msg. 18)	I	VDM, VDO	-	
129040	AIS Class B Extended Position Report (msg. 19)	I	VDM, VDO	-	
129041	AIS Aids to Navigation (AtoN) report (msg. 21)	I	VDM, VDO	-	
129283	Cross Track Error	D	APB, RMB, XTE	1	
129284	Navigation Data	D	APB, BWC/BWR, RMB, ZTG	1	4
129285	Navigation - Route/WP Information	D	APB, BWC/BWR, RMB, ZTG	1	4
129291	Set & Drift, Rapid Update	D	VDR	1	
129539	GNSS DOP's	D	GGA, GSA	1	
129540	GNSS Sats in view	I	GSA, GSV	-	
129793	AIS Base Station (msg. 4)	I	VDM, VDO	-	
129794	AIS Class A Static/Voyage Data (msg. 5)	I	VDM, VDO	-	
129798	AIS SAR Aircraft Position Report (msg. 9)	I	VDM, VDO	-	
129802	AIS Safety Related Broadcast Message (msg. 14)	I	VDM, VDO	-	
129809	AIS Class B Static Data report: Name (msg. 24a)	I	VDM, VDO	-	
129810	AIS Class B Static Data report: Static Data (msg. 24b)	I	VDM, VDO	-	

PGN	Description	Type	Sentence	Freq.	Note
130306	Wind Data	D	MWD, [MDA] MWV	1 5	5
130310	Environment (deprecated)	D	MTW, XDR, [MDA]	1	5
130311	Environment (deprecated)	D	MTW, XDR, [MDA]	1	5
130312	Temperature (deprecated)	D	MTW, XDR, [MDA]	1	5
130313	Humidity	D	XDR, [MDA]	1	5
130314	Actual Pressure	D	XDR, [MDA]	1	5
130316	Temperature, extended range	D	MTW, XDR, [MDA]	1	5
130578	Vessel Speed Components	D	VBW, VHW	10	
131071	Simrad TV80 Data (ShipModul Proprietary)	I	PSIMTV80	-	

Type:

- D: Conversion through database, no direct link between reception of PGN and transmission of sentence.
- I: Immediate conversion: PGN is converted to sentence and transmitted immediately. The indicated frequency of this sentence is equal to the frequency of the received PGN and is the default value as specified by NMEA 2000. The actual frequency depends on the implementation of the transmitting device.
- S: Conversion through database, transmission of sentence is synchronized with reception of PGN to minimize latency.

Notes:

- 1: ZDA must be specifically enabled on the Options tab.
- 2: The magnetic variation is stored only; it does not trigger transmission of HDG or RMC sentences.
- 3: The frequency of these sentences can be set to 10 Hz (except ZDA).
- 4: Either BWC or BWR is transmitted, depending on field 6 (Calculation Type: Great Circle or Rhumb Line) of PGN 129284. If the calculation type is unspecified, great circle (BWC) will be assumed.
- 5: MDA must be specifically enabled. High-resolution barometric pressure from PGN 130314 has precedence over low resolution barometric pressure of PGNs 130310 and 130311.

## Conversions from NMEA 2000 to NMEA 0183 XDR sentences

Several NMEA 2000 PGNs are converted to NMEA 0183 XDR sentences using specific Transducer Types, Units and Transducer ID's, in accordance with NMEA 0183 V4.11 wherever possible. Whenever a PGN supports an Instance field and this Instance field contains a valid number, this number is appended to the Transducer ID.

A Transducer ID for the first/port engine would thus be "Engine#0", and the second/starboard engine would be "Engine#1"

### Engine data

Engine data is converted to \$ERXDR sentences using Transducer Types, Units and ID's below:

PGN	Parameter	Type	Unit	ID	Note
127488	Boost pressure	P	B (bar)	EngineBoost	
127488	Engine tilt	A	P (%)	EngineTilt	
127489	Engine oil pressure	P	B (bar)	EngineOil	
127489	Engine oil temperature	C	C (°C)	EngineOil	
127489	Engine temperature	C	C (°C)	Engine	
127489	Alternator voltage	U	V (Volt)	Alternator	
127489	Fuel rate	R	l (liters/second)	Fuel	
127489	Engine hours	G	-	EngineHrs	
127489	Engine coolant pressure	P	B (bar)	EngineCool	
127489	Fuel pressure	P	B (bar)	Fuel	
127489	Engine status	G	-	EngineSts	
127489	Percent engine load	G	P (%)	EngineLoad	
127489	Percent engine torque	G	P (%)	EngineTorq	
127497	Trip fuel used	V	M (m <sup>3</sup> )	FuelTrip	
127497	Average fuel rate	R	l (liters/second)	FuelAvg	
127497	Economy fuel rate	R	l (liters/second)	FuelEcon	
127497	Instantaneous fuel economy	R	l (liters/second)	InstEcon	
127506	State of Charge	G	P (%)	SoC	
127506	State of Health	G	P (%)	SoH	
127506	Time Remaining	G	M (minutes)	Trem	
127506	Ripple Voltage	U	V (Volt)	Ripple	
127506	Amp Hours				1
127508	Voltage	U	V (Volt)	*	2
127508	Current	I	A (Ampere)	*	2
127508	Case temperature	C	C (°C)	*	2

Notes:

- 1: The cumulative amp hours drawn since a battery was full
- 2: The Transducer ID can be one of the following:
  - Battery
  - Alternator
  - Convertor
  - Solar
  - WindGen

### Generic sensor data

Generic sensor data is converted to \$YXXDR sentences using Transducer Types, Units and ID's below:

PGN	Parameter	Type	Unit	ID
65286	Fluid flow rate	R	l (liters/second)	Fuel FreshWater WasteWater LiveWater Oil BlackWater Gasoline
127505	Fluid Level	E	P (%)	Fuel FreshWater WasteWater LiveWater Oil BlackWater Gasoline

### Meteorological data

Meteorological data is converted to \$WIXDR sentences using Transducer Types, Units and ID's below:

PGN	Parameter	Type	Unit	ID
130310	Outside temperature	C	C (°C)	Air
130310	Atmospheric pressure	P	B	Baro
130311	Outside temperature	C	C (°C)	Air
130311	Outside humidity	H	P (%)	Air
130311	Atmospheric pressure	P	B	Baro
130312	Outside temperature	C	C (°C)	Air
130313	Outside humidity	H	P (%)	Air
130314	Atmospheric pressure	P	B	Baro
130316	Outside temperature	C	C (°C)	Air

## Conversions from NMEA 0183 to NMEA 2000

Sentence	Description	Type	PGN	Freq.	Note
APB	Heading/Track controller (to autopilot)	D	129283	1	
			129284	1	
			129285	1	
DBT	Depth below transducer	D	128267	1	
DPT	Depth	D	128267	1	
GGA	GPS - latitude/longitude, fix data	D	126992	1	
			129025	10	
			129029	1	
			129539	1	
GLL	GPS - latitude/longitude	D	126992	1	
			129025	10	
			129029	1	
GSA	GNSS DOP & active satellites	D	129539	1	
			129540	1	
GSV	GNSS satellites in view	D	129540	1	
HDG	Heading ,Magnetic, deviation & variation	D	127250	10	
			127258	1	
HDM	Heading, Magnetic	D	127250	10	
HDT	Heading, True	D	127250	10	
MDA	Meteorological data	D	130313	0.5	6
			130314	0.5	
			130316	0.5	
MTW	Water temperature	D	130316	0.5	6
MWD	Wind direction & speed	D	130306	10	
MWV	Wind angle & speed	D	130306	10	1
PSIMTV80	Simrad TV80 Data (ShipModul Proprietary)	I	131071		4
RMB	Navigation Data (to autopilot)	D	129283	1	2
			129284	1	
			129285	1	
RMC	GPS - latitude/longitude, SOG, COG, variation	D	126992	1	3
			127250	-	
			127258	1	
			129025	10	
			129026	4	
S	129029	1			
ROT	Rate of turn	D	127251	10	
RSA	Rudder sensor angle	D	127245	10	
THS	Heading, True	D	127250	10	
VBW	Dual ground/water speed	D	128259	1	
			130578	4	
VDM/VDO	AIS	I	129038	-	
			129039	-	
			129040	-	
			192041	-	
			129793	-	
			129794	-	
			129798	-	
			129802	-	
			129809	-	
			129810	-	
VDR	Set & drift	D	129291	1	
VHW	Water speed & heading	D	127250	10	
			128259	1	
			130578	4	
VLW	Dual ground/water distance	D	128275	1	

Sentence	Description	Type	PGN	Freq.	Note
VTG	Course over ground & ground speed	D	129026	4	
VWR	Apparent wind angle & speed	D	130306	10	
VWT	Theoretical/true wind angle & speed	D	130306	10	
WPL	Waypoint location	I	130074	-	
XDR	Mast Angle	D	65330	2	4
XDR	Air temperature, humidity and barometric pressure	D	130313 130314 130316	0.5 0.5 0.5	5,6
XTE	Cross track error (to autopilot)	D	129283	1	
ZDA	Time & date	D	126992	1	7
ZTG	UTC & time to destination waypoint	D	129284	1	

Type:

- D: Conversion through database, no direct link between reception of sentence and transmission of PGN.
- I: Immediate conversion: Sentence is converted to PGN and transmitted immediately.
- S: Conversion through database, transmission of PGN is synchronized with reception of sentence to minimize latency.

Notes:

- 1: When true wind is converted, the MiniPlex-3 will transmit this PGN twice: with Wind Reference 3 (calculated referenced to ground) and Wind Reference 4 (calculated referenced to water) to ensure compatibility with all receivers.
- 2: Field 6 (Calculation Type) of PGN 129284 will be set to Great Circle.
- 3: The magnetic variation is extracted from the RMC sentence, but this does not trigger transmission of PGN 127250. This PGN will only be transmitted on reception of a heading sentence. The stored magnetic variation will then be placed in PGN 127250.
- 4: This is a proprietary PGN.
- 5: The Talker ID must be "WI". Decoded parameter groups are respectively: "C,x.x,C,TEMP", "P,x.x,B,PRESS" and "H,x.x,P,RH". Parameter group "C,x.x,C,AirTemp" is decoded with any Talker ID.
- 6: If the **Device Type** of an NMEA 0183 input is set to **Weather Instrument (<V2)**, PGN's 130310, 130311 and 130312 are transmitted instead of 130313, 130314 and 130316.
- 7: Decoded parameter groups are: "A,x.x,D,PTCH" and "A,x.x,D,ROLL".
- 8: PGN 126992 must be specifically enabled on the Options tab.



## Converted SeaTalk Datagrams

Datagram	Description	TX	RX	Note
00	Depth below transducer	•	•	
01	Equipment ID	•	•	1
10	Wind angle	•	•	
11	Wind speed	•	•	
20	Speed through water, 1/10 kn	•	•	2
21	Trip mileage	•	•	3
22	Total mileage	•	•	3
23	Water temperature, °C + °F	•	•	4
25	Total and Trip mileage	•	•	3
26	Speed through water, 1/100 kn	•	•	2
27	Water temperature 1/10 °C	•	•	4
30	Set lamp intensity	•	•	1
50	Latitude	•	•	5
51	Longitude	•	•	5
52	Speed over ground	•	•	
53	Course over ground	•	•	
54	Time	•	•	
56	Date	•	•	
57	GPS Satellites & HDOP		•	
58	Latitude and longitude	•	•	5
80	Set lamp intensity	•	•	1
81	Course computer message	•	•	1
82	Short waypoint name	•	•	6
83	Course computer message	•	•	1
84	Autopilot heading and rudder position		•	
85	Navigation data	•	•	
86	Keystroke (incl. S100 remote control)	•	•	1
87	Set response level	•	•	1
88	Autopilot parameters	•	•	1
89	Heading	•	•	
90	Equipment ID	•	•	1
91	Set rudder gain	•	•	1
92	Set autopilot parameter	•	•	1
93	Enter autopilot setup	•	•	1
95	Autopilot setup output	•	•	1
99	Magnetic variation	•	•	
9A	Version string	•	•	1
9C	Compass heading and rudder position		•	
A1	Long waypoint name	•	•	6
A2	Arrival status	•	•	
A3	Rudder angle	•	•	
A4	Device query broadcast/device ID	•	•	1
A5	GPS info and status	•	•	

### Notes:

- 1: These datagrams are converted from/to Raymarine proprietary PGN 126720 if In1 is set to **SeaTalk-STNG** mode.
- 2: Datagram 20 is ignored if datagram 26 is received.
- 3: Datagrams 21 and 22 are ignored if datagram 25 is received.
- 4: Datagram 23 is ignored if datagram 27 is received.
- 5: Datagrams 50 and 51 are ignored if datagram 58 is received.
- 6: Datagram 82 is ignored if datagram A1 is received.

When option **Raw SeaTalk** is enabled, unlisted datagrams are converted into a proprietary NMEA sentence with the following format:

```
$PSMDST,R,aa,bb,cc...*hh<CR><LF>
```

aa,bb,cc... represent the hexadecimal value of the bytes from the received SeaTalk datagram.

## Firmware Update Error messages

During a firmware update, the following warnings or error messages may be displayed:

### **The firmware update failed**

This message appears when the overall update process failed without any other error message. It is shown when the updated multiplexer firmware does not report a version message after start-up.

### **Not a valid firmware file**

The file you are trying to open is not a valid firmware file. A firmware file not only ends with an ".mpx" extension, it also contains a distinct signature that must be present. This prevents you from accidentally loading the wrong file into the multiplexer.

### **Unsupported firmware file version**

The firmware file version is not supported by MPXConfig3

### **Firmware file is corrupt**

The firmware file is damaged, possible due to an error during download from our website.

### **The version of the firmware file is lower than the version of the multiplexer. Do you really want to proceed?**

You are trying to update the firmware in the multiplexer with an older version. This is just a warning and very well possible to do.

### **Bootloader initialisation failed**

When MPXConfig3 starts the update process, a small program called the Bootloader must be started in the multiplexer. This message tells you that the bootloader could not be started. This can happen when you try to update the multiplexer while navigation instruments are connected and sending lots of NMEA data to the multiplexer. This can interfere with starting the update process. Disconnect or power down the instruments to prevent this problem.

### **Firmware file does not match with the multiplexer type**

Most firmware files will be compatible with all types of multiplexers. It is however possible that special firmware is made available which only runs on a specific type of multiplexer. If this message appears, you apparently are trying to update using a firmware file that is not suitable for your type of multiplexer.

### **Bootloader: Erase command timeout**

An error occurred when the bootloader tried to erase the old firmware.

### **Bootloader: Encryption command timeout**

The bootloader did not respond to the Encryption command sent by MPXConfig3.

### **Bootloader: Programming timeout**

There was an error during programming a section of the firmware image.

### **Bootloader: CRC command timeout**

The bootloader failed to calculate the checksum of the newly loaded firmware image.

### **Bootloader: CRC error**

The calculated checksum of the newly loader firmware image does not match the checksum if the image file. Apparently, there was a communication error between MPXConfig3 and the multiplexer. You can try to update again.

### **Invalid response from bootloader**

The bootloader returned an unknown response to a command from MPXConfig3.

# Supported Configuration and Status Sentences

## Introduction

The MiniPlex-3 is configured using proprietary NMEA 0183 sentences received through its host interface. These will be called commands. These commands always result in a response from the MiniPlex-3. All commands and responses begin with \$PSMD and have the following format:

\$PSMDxxx, a, b, c, ...\*hh<CR><LF>

\$P: Start of a proprietary sentence as dictated by the NMEA standard

SMD: ShipModul manufacturer mnemonic

xxx: Proprietary sentence formatter

a: Sentence Status flag:

C = sentence is a command to change settings

R = sentence is a status report of current settings

b,c,...: Optional fields

\*hh: Optional checksum field

<CR><LF>: Carriage Return (0x0D, \r) and Line Feed (0x0A, \n) characters that terminate the sentence

Unless specified otherwise, fields are optional and may be skipped if no change is required. For instance, a \$PSMDCF, C, , 2 command only changes the priority time-out. The preceding field is skipped. Any trailing field may be omitted. Some commands require multiple or even all fields to be present because they are related to each other like in the \$PSMDRTE command, which defines a route for an NMEA sentence.

## Configuration commands and status reports

Sentences used to both set and retrieve a configuration setting have a Sentence Status field. This field is the first field of the sentence and can be one of the following:

C: the sentence is a configuration command to change settings

R: the sentence is a status report of current settings

A configuration command (C) is sent to the MiniPlex-3 to change a setting. A status report (R) is sent by the MiniPlex-3 to report a setting.

When the MiniPlex-3 receives a configuration command, it will always respond with a status report sentence with the new settings. Exceptions are commands which transfer tables, like routing or Modbus tables. A command to retrieve a table from the MiniPlex-3 results in a series of table definitions, followed by a \$PSMDRDY sentence.

When a table is transferred to the MiniPlex-3, a 200ms timer guards this upload. Each time the MiniPlex-3 receives a table command, the timer is restarted. When no more sentences are received, the timer expires, the MiniPlex-3 will program the received table in non-volatile memory and respond with a \$PSMDRDY sentence.

Unless specified otherwise, all command sentences return a response with their settings when the command is received without parameters. Commands which transfer tables, will transmit the contents of the table when received without parameters.

A sentence with its Sentence Status field set to 'R' is ignored by the MiniPlex-3.

## Example

The \$PSMDID sentence controls the Talker ID settings of the MiniPlex-3. When \$PSMDID is sent to the MiniPlex-3, it will report with the current Talker ID settings with:

\$PSMDID, R, aa, bb, cc, dd, ee\*hh

To set the change the Talker ID settings, send the following sentence:

\$PSMDID, C, aa, bb, cc, dd, ee\*hh

The MiniPlex-3 will then respond with:

\$PSMDID, R, aa, bb, cc, dd, ee\*hh

This response will contain the new Talker ID's.

## Standard NMEA 0183 Sentences

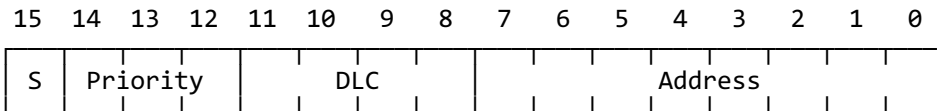
### \$MXPGN – NMEA 2000 PGN Data

This sentence transports NMEA 2000/CAN frames in NMEA 0183 format. The MiniPlex-3 will output this sentence with Talker ID "MX". When sent to the MiniPlex-3, the Talker ID is ignored unless a routing entry exists for this sentence.

Format: \$--PGN,pppppp,aaaa,c--c\*hh<CR><LF>

pppppp: PGN of the NMEA 2000/CAN frame, 3-byte hexadecimal number. If the PGN is non-global, the lowest byte contains the destination address.

aaaa: Attribute Word, 2-byte hexadecimal number. This word contains the priority, the DLC code and then source/destination address of the frame, formatted as shown below:



S: Send bit. When an NMEA 2000/CAN frame is received, this bit is 0. To use the \$MXPGN sentence to send an NMEA 2000/CAN frame, this bit must be set to 1.

Priority: Frame priority. A value between 0 and 7, a lower value means higher priority.

DLC: Data Length Code field, contains the size of the frame in bytes (1..8) or a Class 2 Transmission ID (9..15).

Address: Depending on the Send bit, this field contains the Source Address (S=0) or the Destination Address (S=1) of the frame.

c--c: Data field of the NMEA 2000/CAN frame, organized as one large number in hexadecimal notation from MSB to LSB. This is in accordance with "NMEA 2000 Appendix D", chapter D.1, "Data Placement within the CAN Frame".

The size of this field depends on the DLC value and can be 1 to 8 bytes (2 to 16 hexadecimal characters).

### NMEA 2000 Reception

When the MiniPlex-3 converts an NMEA 2000/CAN frame into an \$MXPGN sentence, the S bit in the Attribute field will be 0 and the Address field contains the source address of the frame. The destination address of the frame is either global or contained in the lower byte of the PGN, in accordance with the NMEA 2000/ISO specification.

### NMEA 2000 Transmission

A \$--PGN sentence sent to the MiniPlex-3 will be converted to an NMEA 2000/CAN frame if the S bit in the Attribute field is 1.

The Address field is the Destination Address of the NMEA 2000/CAN frame. The Source Address of the frame will be the address the MiniPlex-3 has acquired during the Address Claim Procedure. If a global PGN is used, the contents of the Address field will be ignored. A non-global PGN can be sent globally by setting the Address field to 0xFF.

The Destination Address of a non-global PGN can also be specified by loading it into the lower byte of the PGN. The Address field of the Attribute word must be set to 0x00 for this.

The DLC field must be set to the size of the Data field (1 to 8 bytes) and the actual size of the Data field must match with the DLC. If the DLC field is used as a Class 2 Transmission ID (9..15), the size of the Data field must be 8 bytes/16 characters. If any of these conditions is not met, the frame will not be transmitted.

For quick transmission of an NMEA 2000/CAN frame, the Attribute field of the \$--PGN sentence may be omitted. In this case, the following values for the Attribute will be assumed:

- S: 1
- Priority: 7
- DLC: Set automatically from the size of the Data field (c--c) field.
- Address: 0. The Destination Address of the message will be contained in the PGN field (pppppp).

## Examples

A received PGN 127250 (hex: 1F112, Vessel Heading) will be converted into the following \$MXPNG sentence:

```
$MXPNG,01F112,2807,FC7FFF7FFF168012*11
```

The Attribute word shows a received frame (S=0), with priority 2, it is 8 bytes, and the Source Address is 0x07.

To transmit PGN127250, the following \$--PGN sentence must be sent to the MiniPlex-3:

```
$MXPNG,01F112,A800,FC7FFF7FFF168012*65
```

In this example, the Address field of the Attribute field is ignored and set to 0x00 because PGN 127250 is a Global PGN.

An ISO Request (PGN 059904) can be transmitted in the following ways:

```
$MXPNG,00EA00,F309,01F016*68
```

```
$MXPNG,00EA09,,01F016*1D
```

In both cases, this message is sent to Destination Address 0x09. In the first sentence, the Destination Address is specified in the Attribute word, the second sentence has it embedded in the PGN field.

## \$--XDR – Sensor Data

The data received from certain NMEA 2000 sensors or Modbus slaves will be converted into standard NMEA 0183 \$--XDR sentences. The Talker ID of this sentence depends on the source of the data. For instance: "ER" for engine related data, "WI" for weather data and "YX" for generic sensor data.

Format: \$MXXDR,t,x.x,u,i[,t,x.x,u,i][,t,x.x,u,i][...]

t: Transducer Type

x.x: Sensor value

u: Units

i: Transducer ID

For engine sensor and weather data, the contents of **t**, **u** and **i** fields are compliant with NMEA 0183 V4.11. For sensor data received from Modbus slaves, the **t**, **u** and **i** fields contain the parameters specified in the Modbus table.

Multiple groups of **t,x,u,i** parameters are collated into one XDR sentence if the sentence length permits. The exact number of **t,x,u,i** groups depends on the length of the value and Transducer ID and may vary.

## TAG Blocks

When TAG blocks are enabled, the MiniPlex-3 prepends each NMEA sentence transmitted on the host interface with a TAG Block. This TAG block has a source parameter containing the UI (Unique Identifier) of the MiniPlex-3 and the input number or Source Address of the received sentence.

This TAG block It has the following format:

```
\s:UI-x*hh\
```

or

```
\s:UI#xx*hh\
```

UI is the Unique Identifier of the MiniPlex-3. The separator character ('-' or '#') indicates whether the TAG Block identifies an NMEA 0183 input ('-') or an NMEA 2000 Source Address ('#') as a hexadecimal number.

If an NMEA 0183 input is identified, x can have the following values:

0: Internally generated responses (\$PSMD sentences)

1: NMEA 0183 In1/SeaTalk

2: NMEA 0183 In2

3: NMEA 0183 In3

4: NMEA 0183 In4

5: Conversion results

If no UI is specified with the \$PSMDUI sentence, "MXnn" is used, where "nn" are the last two digits of the serial number of the MiniPlex-3.

A heading sentence received on input 1 will thus be transmitted as

```
\s:MX01-1*1E\ $HEHDT,23.5*37<CR><LF>
```

A similar sentence generated from an NMEA 2000 source will be transmitted as

```
\s:MX01#4D*A2\ $HEHDT,23.5*37<CR><LF>
```

## Proprietary NMEA 0183 Sentences - General

### \$PSMDCF – Set Configuration

This sentence sets various configuration settings of the MiniPlex-3.

Format: \$PSMDCF,a,b,t\*hh<CR><LF>

- a: Sentence Status flag:
- C = sentence is a command to change settings
  - R = sentence is a status report of current settings
  - A = sentence is a flag indicating MPX-Config3 is connected\*)
- b: Baud rate selector for the RS-232 interface (ignored when no RS-232 port present):
- 0 = 4800 Baud
  - 1 = 9600 Baud
  - 2 = 19200 Baud
  - 3 = 38400 Baud
  - 4 = 57600 Baud
  - 5 = 115200 Baud
- t: Priority Timeout (in seconds):
- 0 = 1
  - 1 = 2
  - 2 = 3
  - 3 = 5
  - 4 = 10
  - 5 = 30

The 's' field will always return a 0 or 1 in response to a CF query sentence.

\*) When MPX-Config3 is connected, it sends a \$PSMDCF,A sentence to the MiniPlex every 4 seconds. This temporarily enables TAG blocks to tell MPXConfig3 from which NMEA 0183 input or NMEA 2000 Source Address an NMEA sentence is received/generated. These TAG blocks also contain a relative time parameter, containing the time of day in milliseconds.

### \$PSMDCFQ – Get Configuration

This sentence requests the configuration of the MiniPlex-3. The MiniPlex-3 will respond with all known configuration sentences, followed by a \$PSMDRDY sentence.

### \$PSMDCNV – Set Conversions

This sentence enables or disables NMEA conversions.

Format: \$PSMDCNV,a,c,e\*hh<CR><LF> (command only)  
Or: \$PSMDCNV,a,xxxxxxxx\*hh<CR><LF> (command and report)

- a: Sentence Status flag:
- C = sentence is a command to change settings
  - R = sentence is a status report of current settings
- c: Conversion number
- e: 0 = off/disable  
1 = on/enable
- xxxxxxxx: Enable/disable multiple conversions at once using a 32-bit hexadecimal number. Each bit represents a conversion where bit 0 is conversion 0, bit 1 is conversion 1, etc.
- Example: \$PSMDCNV,C,6,1<CR><LF> (enables conversion 6)  
\$PSMDCNV,C,00000021<CR><LF> (enables conversions 5 and 0)

The following conversions are implemented:

#### 0: Heading Conversion Magnetic/True

Convert HDM and HDG sentences (magnetic heading) into HDT sentences (true heading) and HDT sentences into HDG sentences. The heading is corrected from magnetic to true and vice versa if a magnetic variation is available in the originating HDG sentence or from another source (RMC sentence, SeaTalk Datagram 99, PGN 127250 or 127258). If Option 16 is enabled and a GNSS

position is received, the magnetic variation from the internal table is used to calculate magnetic or true heading.

**1: Reverse Heading**

Convert a heading sentence (HDG, HDM or HDT) into a sentence with the heading reversed by 180 degrees.

**2: Enable COG to HDT Conversion**

Convert VTG sentences (course over ground) into HDT sentences (true heading).

**3: Wind Conversion VWR/MWV**

Convert VWR sentences (relative wind, deprecated) into MWV,R sentences (relative wind) Convert MWV sentences into either VWR or VWT sentences, depending on the R or T flag in de MWV sentence.

**4: Theoretical Wind Conversion – AWA/AWS to TWA/TWS**

Convert MWV,R sentences (relative or apparent wind) into MWV,T sentences (theoretical wind). The required STW for this calculation is taken from any source of water speed, or ground speed if Option 15 is enabled.

This conversion can be used in conjunction with conversion 3, to first convert VWR to MWV,R and then to MWV,T.

**5: Calculate wind direction TWD**

Convert a theoretical/true wind angle sentence (MWV,T) into true wind direction sentence (MWD).

**6: Reverse wind angle**

Converts a wind sentence (VWR, MWV) into a new MWV sentence with a reversed wind angle.

**7: Velocity Conversion - VTG to VHW**

Convert VTG sentences (GPS) into VHW sentences (speed log). If the MiniPlex-3 receives heading from any source, the heading fields of the resulting VHW sentence will be filled. Otherwise, they will be left empty. The COG fields of the originating VTG sentence are not used for this conversion.

**8: Velocity Conversion – VHW to VTG**

Convert VHW sentences (speed log) into VTG sentences (GPS). All fields of the VHW sentence are copied into the resulting VTG sentence.

**9: Reverse Speed**

Convert VBW sentences into new VBW sentences with all speed values reversed.

**10: Convert VBW or VHW to VHW with heading**

Convert a VBW or VHW sentence into a new VHW sentence with its heading fields filled from any heading source.

**11: Heading conversion HDT ↔ THS**

This option converts an HDT sentence into a THS sentence and vice versa. The Talker ID in HDT and THS sentences is preserved to ensure compatibility with GPS compasses, which generally output a Talker ID "GP".

**\$PSMDDR – Set Default Route**

This sentence specifies the default route from the NMEA 0183 inputs or the NMEA 2000 network to the NMEA outputs and from the host interface(s) to the NMEA 0183 outputs. Any route set by the \$PSMDRTE sentence overrides the default route.

Format: \$PSMDDR,a,xx,b,yy,c\*hh<CR><LF>

a: Sentence Status flag:

C = sentence is a command to change settings  
R = sentence is a status report of current settings

xx: Input field for NMEA Out1. This is a hexadecimal number where each bit represents an NMEA input. The following bits are defined:

0: NMEA In1  
1: NMEA In2  
2: NMEA In3  
3: NMEA In4  
4: NMEA Conversions  
7: NMEA 2000

When a bit is 1, the input is routed to output 1, otherwise the input is not routed.



- b: Host data to NMEA Out1:  
 0: Host data is not routed  
 1: Host data is routed  
 2: Host data is routed and overrides data from the inputs. A time out mechanism will route data from the inputs when no data from the host is received.
- yy: Input field for NMEA Out2, similar to field xx.
- c: Host data to NMEA Out2, similar to field b.

### **\$PSMDID – Set Talker ID**

This sentence sets a Talker ID for a specific input. If a Talker ID is specified, the original Talker ID of the sentences received on that input is replaced by the specified one, before sending the sentence to the host.

Format: \$PSMDID,a,aa,bb,cc,dd,ee\*hh<CR><LF>

- a: Sentence Status flag:  
 C = sentence is a command to change settings  
 R = sentence is a status report of current settings
- aa: Talker ID for In1  
 bb: Talker ID for In2  
 cc: Talker ID for In3  
 dd: Talker ID for In4  
 ee: Talker ID for conversion results  
 hh: optional checksum

An empty field clears the Talker ID for that input

### **\$PSMDIN – Input modes**

Set the operating mode of each NMEA input.

Format: \$PSMDIN,a,x,x,x,x\*hh<CR><LF>

- a: Sentence Status flag:  
 C = sentence is a command to change settings  
 R = sentence is a status report of current settings
- x: Operating mode field for input 1 to 4:
- 0: Normal NMEA processing. This is the default processing mode in which sentences are checked for correct formatting according to the NMEA 0183 standard. Any sentence that is incorrectly formatted or has a checksum error is rejected. This behaviour meets the IEC/EN60945 requirements.
  - 1: Forward NMEA sentences with a checksum error unmodified, bypassing all further NMEA processing, routing and conversions. Only the default route is applied. This allows other devices or software to detect the checksum error.
  - 2: Relaxed NMEA format checking. This mode will accept incorrectly terminated sentences. Using this mode, a sentence is considered terminated if it ends on a *CR*, a *LF* or a combination of both in arbitrary order. A sentence with a checksum error is blocked. The multiplexer will terminate the forwarded sentence correctly with a *CR/LF* pair.
  - 3: Receive plain text strings and forward them as \$MXTXT sentences. Any character with an ASCII value greater than 32 (a space) is regarded as the start of a string. The string must end on a *CR* or *LF* and its length may not exceed 61 characters. A longer string will result in a new \$MXTXT sentence containing the remainder of the string. Only valid NMEA characters are read. Invalid characters are stripped from the received string. The Total number and Sentence number fields of the \$MXTXT sentence are always set to "01". The Text Identifier field of the \$MXTXT sentence contains the input number on which the string was received. When for instance "Hello World" is received on input 3, the resulting sentence will be: \$MXTXT,01,01,03,Hello World\*6E.
  - 4: Receive plain text strings and forward them in \$PTXT sentences. Any character with an ASCII value greater than 32 (a space) is regarded as the start of a string. The string must end on a *CR* or *LF* and its length may not exceed 71 characters. A longer string will result in a new \$PTXT sentence containing the remainder of the string. The MiniPlex-3 will always terminate a forwarded string with a *CR/LF* pair. All characters with an ASCII value from 32 to 127 are forwarded.

5: Receive plain text strings and forward them unmodified. Any character with an ASCII value greater than 32 (a space) is regarded as the start of a string. The string must end on a *CR* or *LF* and its length may not exceed 77 characters. A longer string will result in a new string containing the remainder of the original string. The MiniPlex-3 will always terminate a forwarded string with a *CR/LF* pair.  
All characters between from ASCII 32 to 127 are forwarded.

6: Available on In1 only. This mode switches In1 to SeaTalk mode and fixes its speed to 4800 Baud. When this mode is selected, In1 becomes a fully bi-directional SeaTalk port which can receive and transmit SeaTalk data. See page 89 for an overview of the converted SeaTalk datagrams.

When this mode is selected, the \$PSMDOP response will show option 1 enabled. Any other mode (0..5) will clear both SeaTalk option bits in the \$PSMDOP response.

7: Available on In1 of NMEA 2000 models only. This mode switches In1 to SeaTalk mode with Raymarine SeaTalk-STNG converter emulation and fixes its speed to 4800 Baud. When this mode is selected, In1 becomes a fully bi-directional SeaTalk port which can receive and transmit SeaTalk data. Conversions of SeaTalk control datagrams is also supported, like Raymarine's own SeaTalk-STNG converter. This allows for instance a SeaTalk remote control to be used to control a SeaTalk<sup>NG</sup> autopilot. This mode should not be used when a Raymarine SeaTalk-STNG converter is already present on the SeaTalk<sup>NG</sup>/NMEA 2000 network, because this would result in a data-loop, flooding the SeaTalk bus with control messages. See page 89 for an overview of the converted SeaTalk datagrams.

When this mode is selected, the \$PSMDOP response will show option 1 enabled. Any other mode (0..5) will clear both SeaTalk option bits in the \$PSMDOP response.

### **\$PSMDLDR – Loader message**

This sentence is transmitted by the bootloader through the host interface. It contains the loader version and multiplexer ID. The loader will wait for a special key during 0.2s after sending this sentence. When no key is received, the application code is started. If no application code is found, the loader will transmit this sentence continuously.

Format: \$PSMDLDR,xx,v.v,zzz,rr

xx: Hardware ID of the multiplexer (a hexadecimal number)  
v.v: Bootloader version number  
zzz: Hardware name of the multiplexer  
rr: Reset source

The following hardware ID's and names are defined:

11: MPX-3U board with USB interface  
12: MPX-3E board with Ethernet interface  
13: MPX-3UW board with USB and WiFi interface

Bit 7 of the hardware ID indicates the presence of an NMEA 2000 interface.

This sentence has no checksum.

The Reset source indicates what caused the multiplexer to restart or reset. It is a hexadecimal bit-field with the following bits defined:

0: Power-on reset (01)  
1: External reset via Reset pin (02)  
2: Brownout reset (04)  
3: Watchdog reset (08)  
4: Program and Debug interface reset (10)  
5: Software reset (20)

The value in brackets indicate the value of the reset source field when the corresponding bit is set. A few values are of interest when troubleshooting a multiplexer which transmits \$PSMDLDR sentences continuously:

Power-on reset (01): A bad power connection (loose contact), causing the multiplexer to restart.

Brownout reset (04): This reset occurs when the supply voltage is too low. When the multiplexer is powered from a pulsing DC source (e.g. a battery charger at home), it will almost continuously transmit \$PSMDLDR sentences ending on 04. This is because a battery charger does not provide a smooth DC voltage but a pulsating (100 or 120Hz) DC voltage, causing the multiplexer to reset continuously.

Watchdog reset (08): This reset indicates a watchdog time out. The watchdog timer is a safety measure using a timer which must be reset periodically by the running firmware. When this no longer happens because the firmware is "stuck" somewhere or not loaded, the watchdog timer eventually will time out and reset the multiplexer. A continuous stream of \$PSMDLDR sentences with this reset value is transmitted when a firmware update failed.

Software reset (20): This value can be seen when issuing a \$PSMDRESET command, which effectively results in a software reset.

Example: \$PSMDLDR,91,2.2,MPX-3U,01

This multiplexer has an MPX-U board with a USB interface and has an NMEA 2000 interface; the bootloader is version 1.2; the reset source was a power-on event.

### **\$PSMDB – Modbus**

This sentence sets various Modbus-master related parameters. The format of the \$PSMDB sentence depends on the character in the first and second field of the sentence and whether it is a command or a report:

\$PSMDB,C,X Command to add a slave/register definition to be transmitted as XDR sentence.

\$PSMDB,C,DELETE Command to delete all slave/register definitions. The multiplexer will respond with a \$PSMDRDY sentence.

\$PSMDB,C,R Command to set the rate of the transmitted XDR sentences in 10ms increments. The default value is 100, transmitting XDR sentences every 1000ms.

\$PSMDB,D Raw Modbus frame data report.

\$PSMDB,E Error report.

\$PSMDB,R,X Slave/register definition report.

The Modbus Master function is enabled with Option 7.

Two options are dedicated to Modbus:

7: Enable/disable Modbus

8: Enable/disable Modbus Error reports (PSMDB,E,... sentence)

When Modbus is enabled, NMEA Out2 becomes a Modbus RTU (RS485) port. Its baud rate is still controlled by the speed setting of NMEA Out2 on the **NMEA Inputs & Outputs** tab of MPXConfig3. All routing of NMEA 0183 data to Out2 is inhibited when Modbus is enabled. The communication parameters are fixed to 8 data bits, 2 stop bits and no parity. Only the communication speed can be changed.

### **\$PSMDB,C,X – Define Modbus Slave/Register**

This sentence adds an entry into the Modbus table, defining a Modbus slave/register pair as well as the data format and the contents of the generated NMDA 0183 XDR sentences.

Format: \$PSMDB,a,X,s,r,t,d,r,p,t,u,i\*hh<CR><LF>

a: Sentence Status flag:

C = sentence is a command to change settings

R = sentence is a status report of current settings

s: Modbus slave address, 1..247

r: Modbus register number, 0..65535 (0-based protocol address)

t: Modbus register type:

H: Holding register (function code 03)

I: Input register (function code 04)

d: Data type:

I: Signed integer (16-bit/1 register)

U: Unsigned integer (16-bit/1 register)

L: Signed long integer (32-bit/2 registers)

F: Floating point (32-bit/2 registers)

r: Optional 'R' to reverse the Modbus register order in case of a multi-register read operation (Data types "L" and "F"). Can be left empty if not required.

p: Precision or number of decimals for value in Modbus register (0 to 7)

- t: Transducer Type in the XDR sentence, one character
- u: Units in the XDR sentence, one character
- i: Transducer ID in the XDR sentence, 15 characters max.

### **Modbus,C,DELETE – Delete Table**

The following sentence deletes all Modbus slave/register entries:

```
$PSMDB,C,DELETE*hh<CR><LF>
```

The multiplexer will respond with a \$PSMDRDY sentence. This also indicates the start of a time window of 200ms during which new \$PSMDB,C,X,... sentences are accepted to set new slave/register entries. Each received \$PSMDB,C,X,... sentence restarts this window. When the last \$PSMDB,C,X,... sentence is received, the window will eventually time out and the multiplexer will store the received slave/register definitions in non-volatile memory. When the slave/register definitions are stored, the multiplexer will respond again with a \$PSMDRDY sentence.

The multiplexer will ignore any further \$PSMDB,C,X,... sentences when the window has timed out or when then maximum number of 30 entries is reached.

### **\$PSMDB**

This sentence returns all entries in the Modbus table. The returned sentences have the same format as the \$PSMDB,C,X,... command, with an additional slave-status field at the end. The Sentence Status flag field contains an 'R', indicating this is a response. A \$PSMDRDY sentence marks the end of the list.

Example:

```
$PSMDB,R,X,1,1,H,I,,2,C,C,Temp,00*10<CR><LF>
$PSMDB,R,X,1,0,H,I,,2,P,P,Hum,00*6D<CR><LF>
$PSMDRDY,R*45<CR><LF>
```

The sentences may not be transmitted as one contiguous block. In case of much NMEA data, they may be interspersed with other NMEA sentences.

The status field can have the following values:

- 00: Communication is successful.
- 01-0B: Modbus Exception Code. This is an error code returned by the Modbus slave. These are defined in "Modbus Application Protocol V1.1" which can be downloaded from [www.modbus.org](http://www.modbus.org).
- F0: No status known yet
- FA: The slave response contains the wrong register count.
- FB: The received response originates from the wrong slave.
- FC: Communication error (parity, framing or overrun).
- FD: The slave response has an incorrect frame size.
- FE: The slave response has an incorrect CRC.
- FF: No response received/slave timed out.

### **\$PSMDB,C,R**

This sentence sets the rate or interval between the transmitted XDR sentences.

Format: \$PSMDB,C,R,x\*hh<CR><LF>

- x: Interval time in 10 ms increments. Valid range is 1 to 65535.

A value of 100 sets an interval time of 100 x 10 = 1000 ms or 1 second.

### **\$PSMDB,D**

Raw Modbus frame data. This sentence is transmitted when error reports are enabled with Option 8. This can be used to diagnose a communication problem or to detect a faulty Modbus slave.

Format: \$PSMDB,D,x,h--h\*hh<CR><LF>

- x: Direction indicator:
  - T: Transmitted frame
  - R: Received frame
- h--h: Raw Modbus frame data

The frame data contains every single byte of a Modbus frame, including the 2-byte CRC at the end.

Example:

```
$PSMDB,D,T,01030000001840A*47<CR><LF>  
$PSMDB,D,R,0103020000B844*45<CR><LF>
```

These two sentences show one transmitted request to and a received response from slave 1 with function code 3.

### **\$PSMDB,E**

Modbus Error report. This sentence is transmitted when error reports are enabled with Option 8.

Format: \$PSMDB,E,a,r,s,c\*hh<CR><LF>

a: Slave address

r: Register number

s: Status code or Modbus exception code:

01-0B: Modbus Exception Code.

F0: No status known yet

FA: The slave response contains the wrong register count.

FB: The received response originates from the wrong slave.

FC: Communication error (parity, framing or overrun).

FD: The slave response has an incorrect frame size.

FE: The slave response has an incorrect CRC.

FF: No response received/slave timed out.

c: Calculated CRC.

If the received response message is shorter than 5 bytes, the CRC field is empty.

The Modbus Exception Codes are defined in "Modbus Application Protocol V1.1" which can be downloaded [www.modbus.org](http://www.modbus.org).

This sentence is transmitted only if an error or exception occurs and always prior to the \$PSMDB,D,R sentence.

Example:

```
$PSMDB,D,T,01030000001840A*47<CR><LF>  
$PSMDB,E,1,0,FE,44B8*14<CR><LF>  
$PSMDB,D,R,0103020000D48D*33<CR><LF>
```

This example shows a CRC error (code FE). The received frame has a CRC of 8DD4 (last two bytes placed in correct order) while the \$PSMDB,E sentence shows a calculated CRC of 44B8.

### **\$PSMDMOB – Set MOB MMSI**

This sentence adds the MMSI of an AIS based MOB device into the MOB table.

Format: \$PSMDMOB,a,mmsi,v\*hh<CR><LF>

a: Sentence Status flag:

C = sentence is a command to change settings

R = sentence is a status report of current settings

mmsi: MMSI number, 9 digits

v: MOB Status: 'A' – MOB has been activated, 'V' – MOB not activated

The v is only present in a \$PSMDMOB response.

A \$PSMDMOB sentence with the word DELETE in the mmsi field deletes all MOB's. The multiplexer will respond with a \$PSMDRDY sentence. This also indicates the start of a time window of 200ms during which new \$PSMDMOB sentences are accepted to define new MOB's. Each received \$PSMDMOB sentence restarts this window. When the last \$PSMDMOB sentence is received, the window will eventually time out. When this happens, the multiplexer will store the received MOB's in non-volatile memory and respond with a second \$PSMDRDY sentence.

The multiplexer will ignore new MOB's when the window has timed out or when then maximum number of 8 MOB's is reached.

When the MOB table is requested, the multiplexer responds by sending \$PSMDMOB sentences, one for each entry. A \$PSMDRDY sentence marks the end of the list.

Example response:

```
$PSMDMOB,R,972123456,V*4A<CR><LF>
$PSMDMOB,R,972882974,A*56<CR><LF>
$PSMDMOB,R,972834749,V*50<CR><LF>
$PSMDRDY*45<CR><LF>
```

The sentences may not be transmitted as one contiguous block. In case of much NMEA data, they may be interspersed with other NMEA sentences.

The AIS MOB feature must be enabled with Option 9.

## \$PSMDOP – Set Options

This sentence enables or disables options which control the operation of the multiplexer.

Format: \$PSMDOP,a,o,e\*hh<CR><LF> (command only)  
or: \$PSMDOP,a,xxxxxxx\*hh<CR><LF> (command and report)

a: Sentence Status flag:

C = sentence is a command to change settings  
R = sentence is a status report of current settings

o: option number

e: 0 = off/disable  
1 = on/enable

xxxxxxx: Enable/disable multiple options at once using a 32-bit hexadecimal number. Each bit represents an option where bit 0 is option 0, bit 1 is option 1, etc.

Example: \$PSMDOP,C,6,1<CR><LF> (enables option 6)  
\$PSMDOP,C,0000021<CR><LF> (enables options 5 and 0)

The following options are implemented:

### 0: Routing Block

Block sentences which are not found in the routing table. The default operation is to apply the default route to those sentences.

### 1: SeaTalk to NMEA Conversion

SeaTalk data is converted to NMEA 0183 sentences and to NMEA 2000 PGN's (-N2K models only). This option will also be reflected in the \$PSMDIN response: input 1 will report **SeaTalk** mode.

### 2: SeaTalk to \$PSMDST Conversion

SeaTalk datagrams are converted into \$PSMDST sentences, which contain the "raw" bytes of a SeaTalk datagram as hexadecimal numbers.

If option 1 is enabled, only those datagrams are converted which could not be converted into NMEA 0183 and/or NMEA 2000.

If option 1 is disabled, all datagrams are converted into \$PSMDST sentences. This option will also be reflected in the \$PSMDIN response: input 1 will report SeaTalk mode.

### 3: Test GPS Status Field

If this option is enabled, a GPS related NMEA 0183 sentence will be discarded if its status field indicates invalid data ('V'). This forces the Priority mechanism to pass GPS sentences from a lower priority source with a valid status. This option also blocks HDT sentences with empty heading fields from a GPS compass without fix.

### 4: Suppress GPS Pinning

GPS receivers sometimes leave the COG and SOG fields of an RMC or VTG sentence empty when the position is stationary. Some devices receiving such sentences consider this as an error. When this option is enabled, the multiplexer will detect these empty fields and fill them with "0.0".

### 5: Transmit TAG Blocks

Prepend each NMEA sentence transmitted from the host interface with a source TAG block, This TAG block identifies the NMEA 0183 input number or the NMEA 2000 Source Address of the sentence.

**6: NMEA 0183 V1.5 Output**

Enables conversion from NMEA 0183 V2.0 (and higher) to V1.5 sentences for NMEA Out2. The following sentences are converted: APB, BWC, BWR, GGA, GLL, HDG, RMA, RMB, RMC, VBW, VLW, VTG, XTE and ZDA.

A HDG sentence is converted into a HDM sentence. The heading and COG fields of HDM and VTG sentences respectively are truncated to remove any decimals.

**7: Enable Modbus conversion**

Switches NMEA Out2 to an RS485 Modbus RTU master port. All routing of NMEA 0183 to Out2 is disabled.

**8: Enable Modbus Error reports**

Enables transmission of \$PSMDMB,D,... and \$PSMDMB,E,... sentences in case of errors on the Modbus RS485 network.

**9: Enable AIS MOB Alarm**

Enables the AIS MOB Alarm feature. Switch A/B is an alarm switch contact and In4 is a Mute/Acknowledge input. In4 is disabled for receiving NMEA 0183 data.

**10: Enable Metric SeaTalk Depth**

This option will instruct any SeaTalk (repeater) display to show depth in meters instead of feet.

**11: No Divisor on NMEA Out2**

Disables the sentence divisor for sentences routed to NMEA Out2. The sentence divisor is still applied to (the same) sentences routed to NMEA Out1.

**12: Generate GNSS Data from AIS Own Ship Information**

This option generates GGA, GLL, RMC and VTG sentences as well as GNSS PGN's when AIS Own Ship information is received from NMEA 0183 or NMEA 2000.

**13: Generate NMEA 0183 GNSS sentences from NMEA 0183 sources**

This option generates NMEA 0183 GNSS sentences from all sources, including NMEA 0183 sources. This can be used for instance to generate GGA, GLL, VTG and ZDA if only RMC is received, or an RMC sentence if only GGA/GLL, VTG and ZDA are received.

**14: Enables Modbus Slave mode**

This option switches the Modbus engine to slave mode. Currently only small array of holding registers is served, without any function.

**15: Use SOG for Theoretical Wind conversion**

When this option is enabled, COG instead of STW is used to calculate theoretical wind.

**16: Use internal variation table**

This option replaces a magnetic variation in NMEA 0183 sentences, NMEA 2000 PGN's and SeaTalk datagrams with magnetic variation from an internal table, provided that a latitude and longitude are received from a GNSS source.

**\$PSMDOV – Overflow**

This sentence is transmitted when more NMEA sentences are routed to an output (Out1 and Out2) than its queue can hold. In MPXConfig3, this will be indicated by two blinking red indicators, one for each output. The red LED on the multiplexer will blink too.

Format: \$PSMDOV,xx\*hh<CR><LF>

xx: Hexadecimal field. This is a hexadecimal number where each bit represents an NMEA output.

The following bits are defined:

0: NMEA Out1

1: NMEA Out2

## \$PSMDPR – Priority

Set the priority of the NMEA inputs.

Format: \$PSMDPR, a, x, x, x, x, x

a: Sentence Status flag:

C = sentence is a command to change settings

R = sentence is a status report of current settings

x: Priority field for input 1 to 4 and NMEA 2000

When similar sentences are received on multiple inputs, the priority of an input is evaluated to determine if a sentence should be forwarded or blocked.

The table on the right shows the relation between priority index x and the priority level. A lower number means higher priority. The maximum index for NMEA 2000 is 10, which means that the source's Device Instance value is used in the priority evaluation.

x	Priority
0 - 9	0 - 9
10	10/DI
11	20
12	50
13	100
14	200

## \$PSMDRESET – Reset the multiplexer

This sentence resets the multiplexer and starts the bootloader. When a '1' is given as parameter, the factory settings of the multiplexer are restored.

Format: \$PSMDRESET, x\*hh<CR><LF>

x: Optional parameter to specify an action while resetting

1: restore the multiplexer to its factory settings

After a reset, the multiplexer transmits a \$PSMDLDR sentence and a \$PSMDVER sentence on the host interface.

## \$PSMDRTE – Set Route

This sentence adds an entry into the routing table. Routes are specified using the address field of an NMEA sentence. For each route, the input(s) or NMEA 2000 device from which the sentence may be received must be specified. Optionally, a divisor and an output routing field can be added. NMEA 2000 devices are identified by their NAME, which is the contents of their Address Claim Message (PGN 60928). A sentence for which no routing entry exists is forwarded according to the default route or blocked. This depends on the routing mode set by Option 0 (see \$PSMDOP sentence).

Format: \$PSMDRTE, C, ccccc, xx, dd, yy, s--s\*hh<CR><LF> (command)  
\$PSMDRTE, R, ccccc, xx, dd, yy, s--s, sa\*hh<CR><LF> (report)

cccc: Address field for the route (e.g. 'GPRMC', 'IIMWV', etc.). This field may contain wildcard characters ('-'). For instance, 'GP---' will apply to all sentences starting with 'GP'. Similarly, '--MWV' will apply to all sentences ending on 'MWV' regardless of the Talker ID. Multiple entries with the same address field are accepted to route similar sentences from different inputs to different outputs.

xx: Input field. This is a hexadecimal number where each bit represents an NMEA input. The following bits are defined:

- 0: NMEA In1
- 1: NMEA In2
- 2: NMEA In3
- 3: NMEA In4
- 4: NMEA Conversions
- 5: Host input
- 7: NMEA 2000

When a bit is 1, the sentence is forwarded, otherwise the sentence is blocked from that input.

dd: Optional divisor factor (0..99). The rate or frequency of a sentence is divided by this number to reduce the number of sentences over time. If for instance a divisor of 5 is specified, only every 5<sup>th</sup> occurrence of this sentence is forwarded. The divisor is only applied to sentences which a routed to NMEA Out1 and NMEA Out2. The host interface will always transmit sentences at their original rate.



yy: Optional routing field, setting the destination of the sentence. This is a hexadecimal number where each bit represents an output. The following bits are defined:

- 0: NMEA Out1
- 1: NMEA Out2
- 2: SeaTalk bus
- 4: Wireless output
- 5: Host output

When a bit is 1, the sentence is routed to that output.

s--s: Optional NAME, (16 hexadecimal digits) identifying an NMEA 2000 source. Only processed and stored if the NMEA 2000-bit is set in the input (xx) field.

sa: Optional Source Address from an NMEA 2000 source. This field only exists in a report sentence.

hh: Optional checksum

A \$PSMDRTE sentence with the word DELETE in the 'cccc' field deletes all routes. The multiplexer will respond with a \$PSMDRDY sentence. This also indicates the start of a time window of 200ms during which new \$PSMDRTE sentences are accepted to define new routes. Each received \$PSMDRTE sentence restarts this window. When the last \$PSMDRTE sentence is received, the window will eventually time out and the multiplexer will store the received routes in non-volatile memory. When the routes are stored, the multiplexer will respond again with a \$PSMDRDY sentence.

The multiplexer will ignore new routes when the window has timed out or when then maximum number of 50 routes is reached.

Example:

```
$PSMDRTE,C,HEHDT,18,5,05<CR><LF>
```

This sentence specifies a route for all sentences that have 'HEHDT' in the address field. It only passes \$HEHDT sentences from inputs 3 and 4, the rate/frequency is reduced by 5 and the sentence is routed to NMEA Out1 and the host only.

When the routing table is requested, the multiplexer responds by sending \$PSMDRTE sentences, one for each entry. A \$PSMDRDY sentence marks the end of the list.

Example response:

```
$PSMDRTE,R,GPRMC,09,,20,,*3E<CR><LF>  
$PSMDRTE,R,GPGGA,80,,21,C632820022220839,213*6F<CR><LF>  
$PSMDRTE,R,WIMWV,80,,20,C03287004A600A23,5*6D<CR><LF>  
$PSMDRTE,R,GPGSV,01,,20,,*28<CR><LF>  
$PSMDRDY*45<CR><LF>
```

The sentences may not be transmitted as one contiguous block. In case of much NMEA data, they may be interspersed with other NMEA sentences.

### **\$PSMDSP – Set Speed**

This sentence sets the baud rate of the NMEA inputs and outputs.

Format: \$PSMDSP,a,b,c,d,e,f[\*hh]<CR><LF>

The following fields are defined for setting the various inputs and outputs:

- a: Sentence Status flag:
  - C = sentence is a command to change settings
  - R = sentence is a status report of current settings
- b: NMEA In1
- c: NMEA In2
- d: NMEA In3
- e: NMEA In4/Out1
- f: NMEA Out2/Modbus

Valid field values are:

- 0 = 4800 Baud
- 1 = 9600 Baud
- 2 = 19200 Baud
- 3 = 38400 Baud
- 4 = 57600 Baud
- 5 = 115200 Baud

Field b is ignored when In1 is set to SeaTalk.

### **\$PSMDSR – Sentence Rebuilding**

This sentence defines a Sentence Rebuilding definition. Up to three rebuilding definitions can be stored. To clear an entry, send this command with only fields a and b.

Format: \$PSMDSR,a,b,cccc,dddd,text,...,text[\*hh]<CR><LF>

a: Sentence Status flag:

- C = sentence is a command to change settings
- R = sentence is a status report of current settings

b: Definition number (1..3)

cccc: Address field of originating sentence. Wildcard characters ('-') are accepted, matching on every character.

dddd: Address field of new sentence

text: Arbitrary number of text fields defining the fields of the new sentence. A percent sign followed by a number (e.g. "%3" or "%11") within these text fields is replaced with the contents of that field from the originating sentence. All other valid NMEA characters are copied verbatim to the new sentence.

When a command is successfully processed, the MiniPlex-3 responds with a \$PSMDSR,R,... sentence. Up to three Sentence Rebuilding definitions can be stored in the MiniPlex-3. Each of them is addressed by the definition number in field b.

When the Sentence Rebuilding table is requested, the multiplexer responds by sending \$PSMDSR sentences, one for each entry. A \$PSMDRDY sentence marks the end of the list.

Example response:

```
$PSMDSR,R,1,GPRMC,GPVGTG,%8,T,%8,M,%7,N,,K,%12*3E<CR><LF>
$PSMDSR,R,2,-MWV,WIMWV,%1,R,%3,%4,%5*A5<CR><LF>
$PSMDRDY*45<CR><LF>
```

### **\$PSMDST – SeaTalk Data**

This sentence transports raw SeaTalk data. It is transmitted by the multiplexer when options 1 and 2 or option 2 are enabled.

Format: \$PSMDST,a,xx,xx,xx,...,xx[\*hh]<CR><LF>

a: Sentence Status flag:

- C = sentence is a command to transmit SeaTalk data
- R = sentence contains received SeaTalk data

xx: hexadecimal value of a SeaTalk datagram byte, 3 to 18 bytes.

When the MiniPlex-3 receives this sentence through a host interface while SeaTalk is enabled, a SeaTalk datagram will be generated with this data and transmitted on the SeaTalk network.

### **\$PSMDUI – Set Unique Identifier**

Sets the Unique Identifier (UI) of the multiplexer. This UI is sent as source parameter in TAG blocks sent by the multiplexer.

Format: \$PSMDUI,a,c--c\*hh<CR><LF>

a: Sentence Status flag:

- C = sentence is a command to change settings
- R = sentence is a status report of current settings

c--c: Unique Identifier, maximum 12 characters. If this field exceeds the maximum character count, is not present, or empty, the UI is reset to "MXnn" where "nn" are the last two digits of the serial number of the multiplexer.

## **\$PSMDVER – Get Version**

This sentence retrieves version information from the multiplexer.

Format: \$PSMDVER

The multiplexer responds with the following version sentence:

\$PSMDVER,3.2.0,MiniPlex-3USB-N2K,39000943,A013\*hh<CR><LF>

3.2.0: firmware version number

MiniPlex-3USB-N2K: multiplexer name

39000943: serial number

A013: Multiplexer capabilities. This is a 4 digit, 16-bit field represented as a hexadecimal number. Each bit identifies a capability of the multiplexer. The following bits are defined:

2-0: Host interface type, 0: serial, 1: USB, 2: Ethernet, 3: USB + WiFi

3: SeaTalk transmission supported

4: NMEA 2000 supported

5: MiniPlex-3PRO

15-13: Multiplexer generation: 5 = 4<sup>th</sup> generation

hh: checksum

## **\$PSMDWI – WiFi Control**

This sentence controls the WiFi module of the multiplexer. This sentence always results in a response sentence from the multiplexer. This response reflects the response of the wireless module or the result of the operation.

These sentences should only be issued through the USB interface of the multiplexer because they disable the WiFi module shortly, resulting in a loss of the WiFi connection.

Format: \$PSMDWI,x,a,b..\*hh<CR><LF

x: Sub-command. See below

a,b..: Optional parameters required by a subcommand

Response: \$PSMDWI,<message>

The following sub-commands are defined:

A: Initialize the WiFi module with the default access point settings:

SSID: MiniPlex-xxxxxxx  
Channel: 6  
IP address: 10.0.0.1  
DHCP range: 10.0.0.2 – 10.0.0.9  
Network mask: 255.255.255.0  
TCP/UDP port: 10110

xxxxxxx is the serial number of the multiplexer.

B: Boot WiFi module in Command Line mode (for diagnostics only).

C: Enter Command Mode of the WiFi module (for diagnostics only).

A ctrl-Q exits Command Mode.

When command mode is enabled, all NMEA data is blocked.

D: Disable the WiFi interface. The yellow LED will go off to indicate this.

When WiFi is disabled, the WiFi module is switched off completely and all WiFi related commands will fail. Only a \$PSMDWI,E command will be accepted to switch the WiFi module on again.

E: Enable the WiFi interface. The yellow LED will light up once the WiFi module has started again. This will take appr. 7 seconds.

F: Format the internal file system on the WiFi module.

M: Read the MAC address of the wireless module. Returns a \$PSMDWI,MAC,<mac address> sentence

Q: Read the WiFi parameters. Returns a \$PSMDWI,AP,<ssid>,<password>,<channel> sentence.

R: Reset the WiFi module to its factory settings. Following this command, a \$PSMDWI,A must be executed to restore our factory settings.

V: Read the version number of the WiFi firmware. Returns a \$PSMDWI,VER,xxx sentence.

W: Set the parameters of the WiFi access point:

```
$PSMDWI,W,ssid,password,chan*hh<CR><LF>
```

ssid: SSID of the access point, 32 characters max.

password: password of the access point, 8 characters min., 31 characters max.

chan: WiFi channel

Example:

```
$PSMDWI,W,Blue Lagoon,h48skhr5,4
```

### **\$PSMDXDR – Specify Transducer ID**

This sentence specifies the Transducer ID for a conversion from an XDR sentence to NMEA 2000.

Format: `$PSMDXDR,a,x,c--c*hh<CR><LF>`

a: Sentence Status flag:

C = sentence is a command to change settings

R = sentence is a status report of current settings

x: Conversion ID:

0: Mast angle to PGN 65330

1: Sailing performance to PGN 127488, field 2 – Engine Speed

c--c: Transducer ID, 15 characters max.

Example:

```
$PSMDXDR,C,0,mastangle
```

This command will enable the conversion for mast angle. The MiniPlex-3 will search for Transducer ID "mastangle" in every XDR sentence it receives and converts this angle to PGN 65330. The received XDR sentence may also contain other sensor data.

To disable this conversion, send command

```
$PSMDXDR,C,0
```

## Proprietary NMEA 0183 Sentences – NMEA 2000

### **\$PSMDNA – Set NMEA 2000 Source Address**

This sentence sets the NMEA 2000 Source Address of each virtual NMEA 2000 device of the multiplexer.

Format: \$PSMDNA,a,b,c,d,e,f,g\*hh<CR><LF>

- a: Sentence Status flag:
  - C = sentence is a command to change settings
  - R = sentence is a status report of current settings
- b: Source Address of Main (System and Host interfaces)
- c: Source Address of NMEA 0183 In1
- d: Source Address of NMEA 0183 In2
- e: Source Address of NMEA 0183 In3
- f: Source Address of NMEA 0183 In4
- g: Source Address of NMEA 0183 conversions

Note that when this command is executed, the specified addresses will be requested using the NMEA 2000 Address Claim Procedure. If other devices on the NMEA 2000 network have already claimed one of these addresses, the Address Claim Procedure determines who “wins” the specified address. So, the addresses claimed by the MiniPlex may eventually be different.

### **\$PSMDNC – ISO Address Claim Message/ISO Command Address**

This sentence is transmitted from the host interface when the MiniPlex receives an NMEA 2000/ISO Address Claim Message (PGN 60928) from another device on the NMEA 2000 network. This sentence is also used to command a Source Address to another device on the NMEA 2000 network.

Format: \$PSMDNC,a,x--x,sa\*hh<CR><LF>

- a: Sentence Status flag:
  - C = sentence is a command to change the Source Address of a device on the NMEA 2000 network.
  - R = sentence contains the Address Claim Message of a device on the NMEA 2000 network.
- x--x: The NAME of the device receiving or claiming the Source Address, a 16-digit hexadecimal number.
- sa: Source Address of the device receiving or claiming the Source Address.

### **\$PSMDND – Set NMEA 2000 Device Instance**

This sentence sets the NMEA 2000 Device Instance of each virtual NMEA 2000 device of the multiplexer.

Format: \$PSMDND,a,b,c,d,e,f,g\*hh<CR><LF>

- a: Sentence Status flag:
  - C = sentence is a command to change settings
  - R = sentence is a status report of current settings
- b: Device Instance of Main (System and Host interfaces)
- c: Device Instance of NMEA 0183 In1
- d: Device Instance of NMEA 0183 In2
- e: Device Instance of NMEA 0183 In3
- f: Device Instance of NMEA 0183 In4
- g: Device Instance of NMEA 0183 conversions

### **\$PSMDNF – Set NMEA 2000 Class and Function Code**

This sentence sets the NMEA 2000 Device Class and Device Function of each virtual NMEA 2000 device of the multiplexer.

Format: \$PSMDNF,a,b,c,d,e,f,g\*hh<CR><LF>

- a: Sentence Status flag:
  - C = sentence is a command to change settings
  - R = sentence is a status report of current settings
- b: Class and Function of Main (System and Host interfaces)
- c: Class and Function of NMEA 0183 In1
- d: Class and Function of NMEA 0183 In2
- e: Class and Function of NMEA 0183 In3

- f: Class and Function of NMEA 0183 In4
- g: Class and Function of NMEA 0183 conversions

The Device Class and Device Function is set by a single number. Each number defines a combination of Device Class and Device Function as shown in the table below:

Num	Class	Function	Name
0	25	135	NMEA 0183 Gateway
1	25	130	PC Gateway
2	60	195	AIS
3	70	140	AIS (< V2)
4	40	150	Autopilot
5	60	130	Depth
6	60	135	Depth & Speed
7	120	130	Display/User Interface/Plotter
8	70	150	DSC (< V2)
9	60	205	ECDIS (< V2)
10	60	210	ECS (< V2)
11	20	130	EPIRB
12	70	130	EPIRB (< V2)
13	80	160	General Purpose Display (< V2)
14	40	160	Heading (< V2)
15	60	140	Ownship Attitude
16	80	150	Integrated Instruments (< V2)
17	60	170	Integrated Navigation (< V2)
18	60	175	Integrated Navigation System
19	20	135	Man Overboard
20	70	180	MF/HF Radio (< V2)
21	60	145	Ownship Position (GNSS)
22	60	150	Ownship Position (Loran C)
23	60	200	Radar
24	40	155	Rudder
25	70	170	Satellite Communications
26	60	155	Speed
27	60	160	Turn Rate (< V2)
28	70	190	VHF Radio with DSC
29	20	140	Voyage Data Recorder
30	80	140	Voyage Data Recorder (< V2)
31	85	160	Water Temperature
32	80	180	Weather Instrument (< V2)
33	85	130	Wind/Pressure/Humidity

When an NMEA input of the MiniPlex-3 is set to a "< V2)" device, the Product Information PGN transmitted for this input will report an "NMEA Message Database Version" of 1.300.

### **\$PSMDNI – Command Device and System Instance**

This sentence commands the Device and/or System Instance of another device on the NMEA 2000 network.

Format: \$PSMDNI,a,b,c\*hh<CR><LF>

- a: Source Address of device on the NMEA 2000 network
- b: Device Instance to be commanded to the remote device
- c: System Instance to be commanded to the remote device

When the remote device acknowledges the commanded parameters, the multiplexer will transmit a \$PSMDACK sentence containing the acknowledgement status values for each parameter that is modified on the remote device.

### **\$PSMDNM – Set Manufacturer Code**

This sentence sets the NMEA 2000 Manufacturer Code of each virtual NMEA 2000 device of the multiplexer.

This command should be used with care because it violates the NMEA 2000 certification of the MiniPlex-3.

Some older NMEA 2000 devices only receive data from other devices from the same manufacturer. These devices will not list a MiniPlex-3 NMEA 0183 input as a Data Source. By setting the Manufacturer Code of an NMEA 0183 input of the MiniPlex-3 to the Manufacturer Code of this receiving device, it will then list and accept this input as a Data Source. A good example of such a device is the Lowrance LMF-200, a gauge for engine data which is also capable of showing NMEA parameters such as Water Speed, Depth or GNSS Position. The MF-200 however, will only show other Lowrance devices in its Device List and accept data from Lowrance devices.

Format: `$PSMDNM,a,b,c,d,e,f,g*hh<CR><LF>`

a: Sentence Status flag:

C = sentence is a command to change settings  
R = sentence is a status report of current settings

b: Manufacturer Code of Main (System and Host interfaces)

c: Manufacturer Code of NMEA 0183 In1

d: Manufacturer Code of NMEA 0183 In2

e: Manufacturer Code of NMEA 0183 In3

f: Manufacturer Code of NMEA 0183 In4

g: Manufacturer Code of NMEA 0183 conversions

### **\$PSMDNO – Set NMEA 2000 Options**

This sentence enables or disables NMEA 2000 options.

Format: `$PSMDNO,a,o,e*hh<CR><LF>` (*command only*)

or: `$PSMDNO,a,xxxxxxxx*hh<CR><LF>` (*command and report*)

a: Sentence Status flag:

C = sentence is a command to change settings  
R = sentence is a status report of current settings

o: option number

e: 0 = off/disable  
1 = on/enable

xxxxxxxx: all options at once as a 32-bit hexadecimal number. Each bit represents an option where bit 0 is option 0, bit 1 is option 1 etc.

Example: `$PSMDNO,C,6,1<CR><LF>` (*enables option 6*)

`$PSMDNO,C,0000021<CR><LF>` (*enables options 5 and 0*)

The following options are implemented:

- 0: Enable RMC sentence from a GPS source (enabled by default)
- 1: Enable GGA sentence from a GPS source
- 2: Enable GLL sentence from a GPS source
- 3: Enable VTG sentence from a GPS source
- 4: Enable GSA and GSV sentences from a GPS source
- 5: Enable RMB sentence from a navigation source (enabled by default)
- 6: Enable APB sentence from a navigation source
- 7: Enable XTE sentence from a navigation source
- 8: Enable BWC or BWR sentences from a navigation source
- 9: Transmit system time using a \$--ZDA sentence and PGN 126992
- 10: Transmit a DBT sentence instead of DPT from a water depth source
- 11: Transmit GNSS sentences (GGA, GLL, RMC and VTG) at 10 Hz
- 12: Transmit \$PFEC,Att and \$PFEC,Hve sentences instead of \$YXXDR from attitude and heave sources
- 13: Enable ZTG sentence from a navigation source

- 14: Transmit speed sentences (VBW, VHW) at 10 Hz
- 15: Transmit MDA sentence
- 16: Transmit THS sentence instead of HDT from a true heading source
- 29: Disable transmission of the Main device (Host interface) on the NMEA 2000 network
- 30: Transmit unknown NMEA 2000 PGN's as an \$MXPGN sentence
- 31: Transmit all NMEA 2000 PGN's as an \$MXPGN sentence. Enabling this option inhibits all conversions to NMEA 0183 as well as filling the NMEA 2000 Device List in MPX-Config3

### **\$PSMDNP – NMEA 2000 Product Information**

This sentence is transmitted by the host interface when the MiniPlex receives an NMEA 2000 Product Information PGN (126996) in response of command \$PSMDNR. Each request results in three \$PSMDNP sentences with a different format. Each of these sentences is identified with an identifier character in the first field.

Format: \$PSMDNP,A,sa,v,pc,c,l\*hh<CR><LF>

- sa: Source Address of the Product Information
- v: NMEA 2000 Message Version (field 1 of PGN 126996)
- pc: Manufacturer's Product Code (field 2 of PGN 126996)
- c: NMEA 2000 Certification Level (field 7 of PGN 126996)
- l: Load Equivalency of the device (field 8 of PGN 126996)

Format: \$PSMDNP,B,mod,ser\*hh<CR><LF>

- mod: Manufacturer's Model ID (field 3 of PGN 126996)
- ser: Manufacturer's Serial Code (field 6 of PGN 126996)

Format: \$PSMDNP,C,sv,mv\*hh<CR><LF>

- sv: Manufacturer's Software Version Code (field 4 of PGN 126996)
- mv: Manufacturer's Model Version (field 5 of PGN 126996)

### **\$PSMDNR – NMEA 2000 PGN Request**

This sentence requests a PGN from an NMEA 2000 device.

Format: \$PSMDNR,p,s\*hh<CR><LF>

- p: PGN to request.
- s: Source Address to send the request to. If omitted or set to 255, the request is sent as a global request.

The MiniPlex-3 will listen for a response to this request for 1.25 s (standard ISO response timeout).

### **\$PSMDNS – Set NMEA 2000 System Instance**

This sentence sets the NMEA 2000 System Instance of each virtual NMEA 2000 device of the multiplexer.

Format: \$PSMDND,a,b,c,d,e,f,g\*hh<CR><LF>

- a: Sentence Status flag:
  - C = sentence is a command to change settings
  - R = sentence is a status report of current settings
- b: System Instance of Main (System and Host interfaces)
- c: System Instance of NMEA 0183 In1
- d: System Instance of NMEA 0183 In2
- e: System Instance of NMEA 0183 In3
- f: System Instance of NMEA 0183 In4
- g: System Instance of NMEA 0183 conversions



## Technical Specifications

### NMEA 0183 Compatibility

All inputs and host interfaces of all MiniPlex-3 models follow the NMEA 0183 standard:

- Received sentences must begin with a '\$' or a '!' character and end on CR and LF characters in that order.
- A checksum is not required but verified if present.
- The sentence length may not exceed 82 characters. NMEA input 4 however accepts sentences up to 145 characters to accommodate non-compliant sources.

A checksum is added to all sentences generated or forwarded by the MiniPlex-3. Sentences transmitted by the MiniPlex-3 will not exceed 82 characters.

This implies that sentences received without a checksum and longer than 78 characters will not be extended with a checksum, as this would violate the 82-character limit.

### MiniPlex-3USB

Supply voltage:	8 – 35 V <sub>DC</sub> , protected against reversed polarity.
Current consumption:	50 mA (100 mA max. with fully loaded talker ports).
Host interface:	USB, galvanically isolated.
Inputs:	4 x NMEA 0183/RS-422, galvanically isolated. Input 1 can be set to SeaTalk mode. NMEA 0183 sentences up to 145 characters can be received.
Input resistance:	>1.4 kOhm
Input current:	0.5mA @ 2V 3.0mA @ 5V 7.1mA @ 10V
Outputs:	2 x NMEA 0183/RS-422, galvanically isolated.
Max output current:	20mA @ >2V
Routing table size:	50 sentence types
Priority table size:	50 sentence types
Speed NMEA inputs:	4800 - 115200 Baud
Speed NMEA outputs:	4800 - 115200 Baud
Indicators:	Overflow and Data
Dimensions:	138 x 72 x 33 mm
Housing:	Flame retardant ABS.

### MiniPlex-3USB-N2K

NMEA 2000 Port:	LEN: 1 Speed: 250kbps
NMEA 2000 Manufacturer Code:	595
NMEA 2000 Product Code:	12738
Connector:	M12 male Micro-C

### **MiniPlex-3E**

Supply voltage:	8 – 35 V <sub>DC</sub> , protected against reversed polarity.
Current consumption:	100 mA (150 mA max. with fully loaded talker ports)
Host interface:	10BASE-T/100BASE-TX Ethernet
Supported protocols:	TCP or UDP, port 10110 for NMEA communication TCP, port 10110 for firmware updates TCP and UDP, port 30718 for network configuration ARP, ICMP and DHCP for network management
Inputs:	4 x NMEA 0183/RS-422, galvanically isolated. Input 1 can be set to SeaTalk mode. NMEA 0183 sentences up to 145 characters can be received.
Input resistance:	>1.4 kOhm
Input current:	0.5mA @ 2V 3.0mA @ 5V 7.1mA @ 10V
Outputs:	2 x NMEA 0183/RS-422, galvanically isolated.
Max output current:	20mA @ >2V
Routing table size:	50 sentence types
Priority table size:	50 sentence types
Speed NMEA inputs:	4800 - 115200 Baud
Speed NMEA outputs:	4800 - 115200 Baud
Indicators:	Overflow and Data
Dimensions:	138 x 72 x 33 mm
Housing:	Flame retardant ABS.

### **MiniPlex-3E-N2K**

NMEA 2000 Port:	LEN: 1 Speed: 250kbps
NMEA 2000 Manufacturer Code:	595
NMEA 2000 Product Code:	26884
Connector:	M12 male Micro-C

### **MiniPlex-3Wi**

Supply voltage:	8 – 35 V <sub>DC</sub> , protected against reversed polarity.
Current consumption:	70 mA (120 mA max. with fully loaded talker ports)
Host interface:	USB, galvanically isolated WiFi, 802.11 b/g/n at 2.4GHz
Supported protocols:	TCP and UDP, port 10110 for NMEA communication ARP, ICMP and DHCP for network management
Inputs:	4 x NMEA 0183/RS-422, galvanically isolated. Input 1 can be set to SeaTalk mode. NMEA 0183 sentences up to 145 characters can be received.
Input resistance:	>1.4 kOhm
Input current:	0.5mA @ 2V 3.0mA @ 5V 7.1mA @ 10V
Outputs:	2 x NMEA 0183/RS-422, galvanically isolated.
Max output current:	20mA @ >2V
Routing table size:	50 sentence types
Priority table size:	50 sentence types
Speed NMEA inputs:	4800 - 115200 Baud
Speed NMEA outputs:	4800 - 115200 Baud
Indicators:	Overflow and Data
Dimensions:	138 x 72 x 33 mm
Housing:	Flame retardant ABS.

### **MiniPlex-3Wi-N2K**

NMEA 2000 Port:	LEN: 1 Speed: 250kbps
NMEA 2000 Manufacturer Code:	595
NMEA 2000 Product Code:	24180
Connector:	M12 male Micro-C

## **Contact Information**

ShipModul B.V.  
Noorderstaete 34a  
9402 XB Assen  
The Netherlands

Tel: +31 592 375700

Fax: +31 592 375550

www: [www.shipmodul.com](http://www.shipmodul.com)

e-mail: [support@shipmodul.com](mailto:support@shipmodul.com)